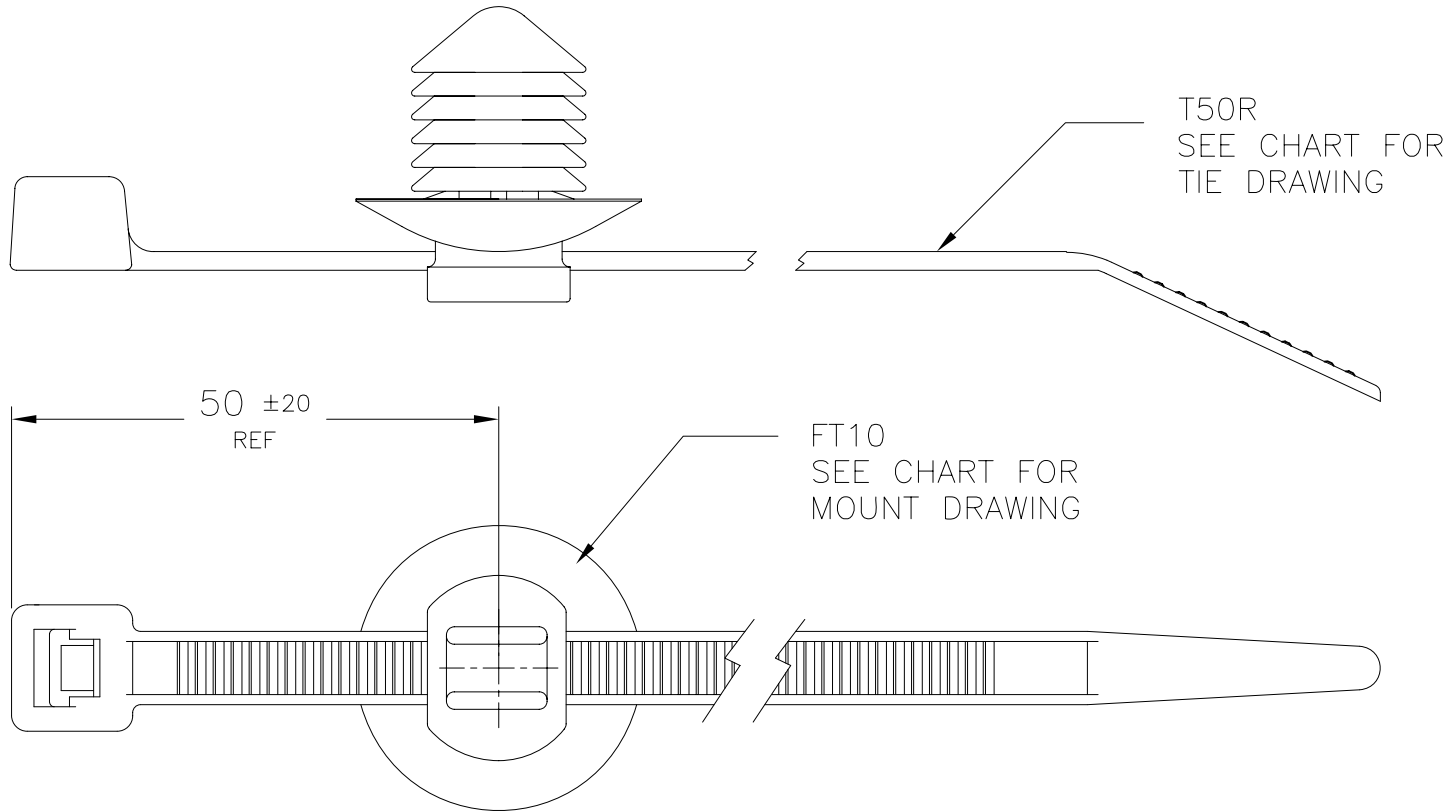


| Revision level | | Revision Record | Changed | Date | Approved | Date |
|----------------|---------|-----------------|---------|----------|----------|----------|
| part | drawing | | | | | |
| - | 02 | See ECN 010000 | A.A.C. | 10/14/04 | KEN C. | 10/14/04 |



PRODUCT CODE DESCRIPTION

T50RFT10_HS

TIE COLOR
(CONSULT FACTORY FOR AVAILABLE COLORS)

02

| PRODUCT CODE | TIE MATERIAL | BUNDLE RANGE | TIE DRAWING | MOUNT DRAWING |
|--------------|--------------|--------------|--------------|----------------|
| T50RFT10_HS | PA66HS | 5 to 50 | CT2050007CST | XMT-INSL006CST |

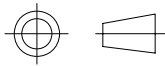
Dimension tolerances unless otherwise specified

- .XXXX = ± .0130
- .XXX = ± .130
- .XX = ± .30
- .X = ± .8
- ∠ = ± 0.5 °

Dimension Units mm

PERFORMANCE SPECIFICATION

ACAD
2004



ALL PROPRIETARY RIGHTS IN THE SUBJECT MATTER SHOWN ON THIS DRAWING ARE EXCLUSIVE PROPERTY OF HELLERMANN TYTON

Drawn K.A.C. 01/13/04
Approved KEN C. 10/14/04

HellermannTyton®

7930 N. Faulkner Rd.
Milwaukee, WI 53224
Ph: (414) 355-1130
Fx: (414) 362-8338

Scale 2:1 Computer File Number CT\CST\2050047_02

Title **T50RFT10
STANDARD CABLE TIE
WITH FT10 MOUNT**

Drawing-No

CT2050047CST

Format AH
Sheet 1 of 1

Product Number
Cross Reference Record

Uncontrolled Document

| Pre-UNS Number System | (New) UNS Universal Number System | Customer Part Number |
|---|--|---------------------------------|
| Product Number T50RFT10 | Product Number 156-00091 | Product Number - |
| Reference Drawing Number: CT2050047CST | | |

| | | |
|------------------------|-----------------------------------|----------------------|
| Issued By: | (New) UNS Product Number | Issue Date: |
| HellermannTyton | Universal Numbering System | June 24, 2011 |