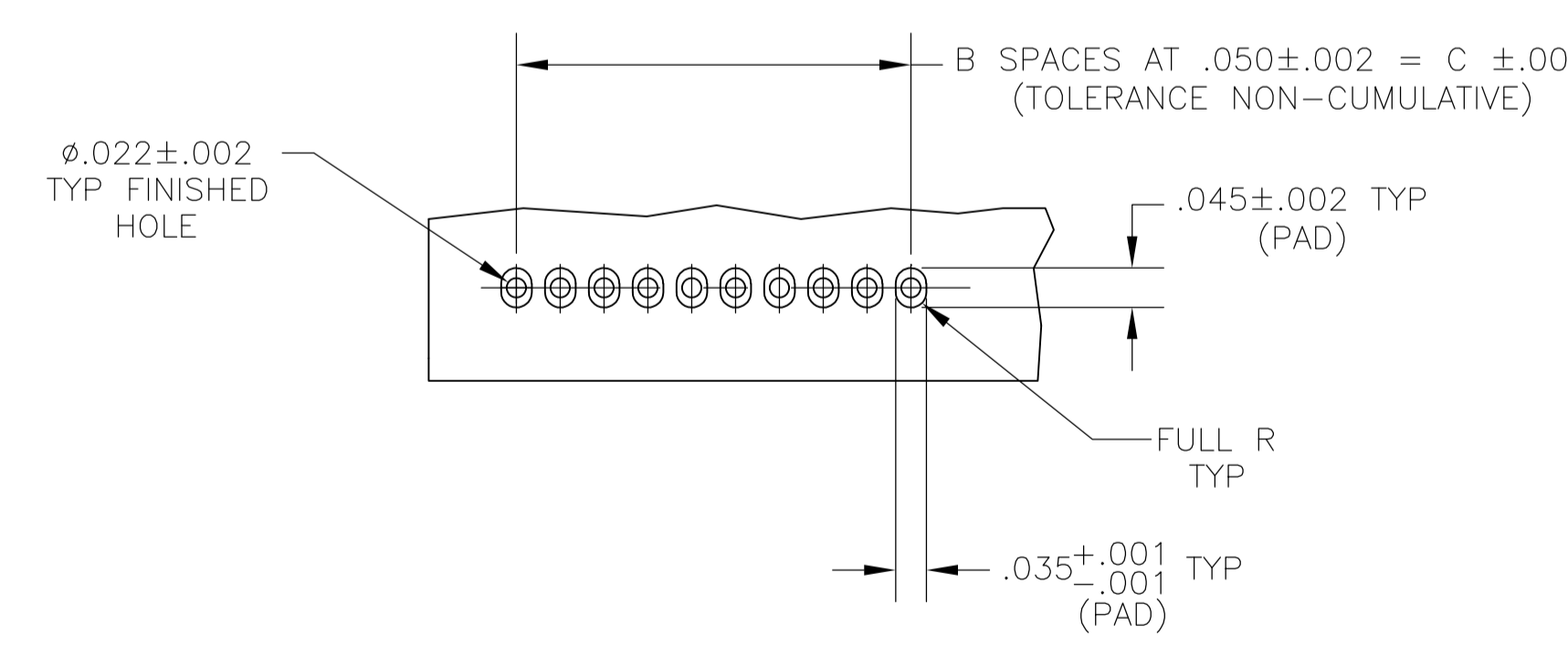
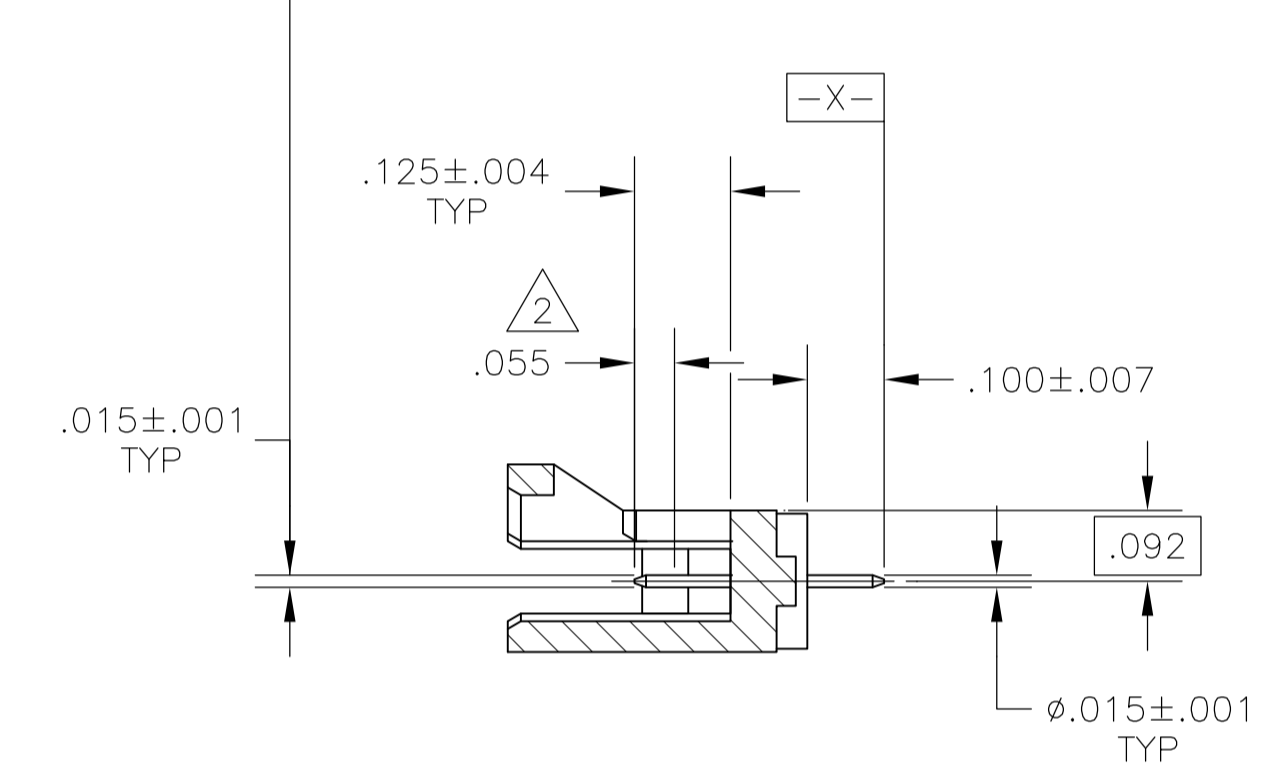
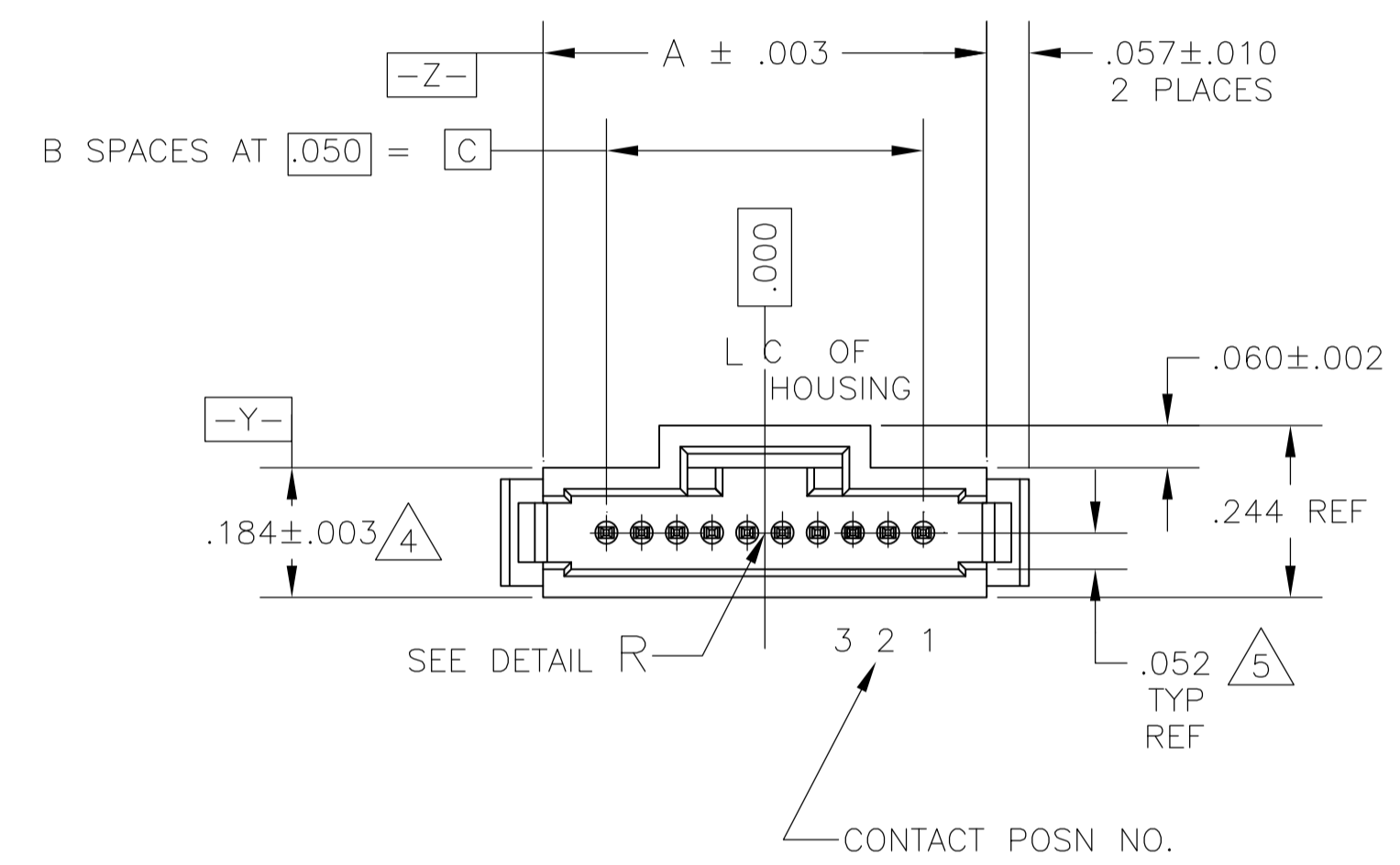
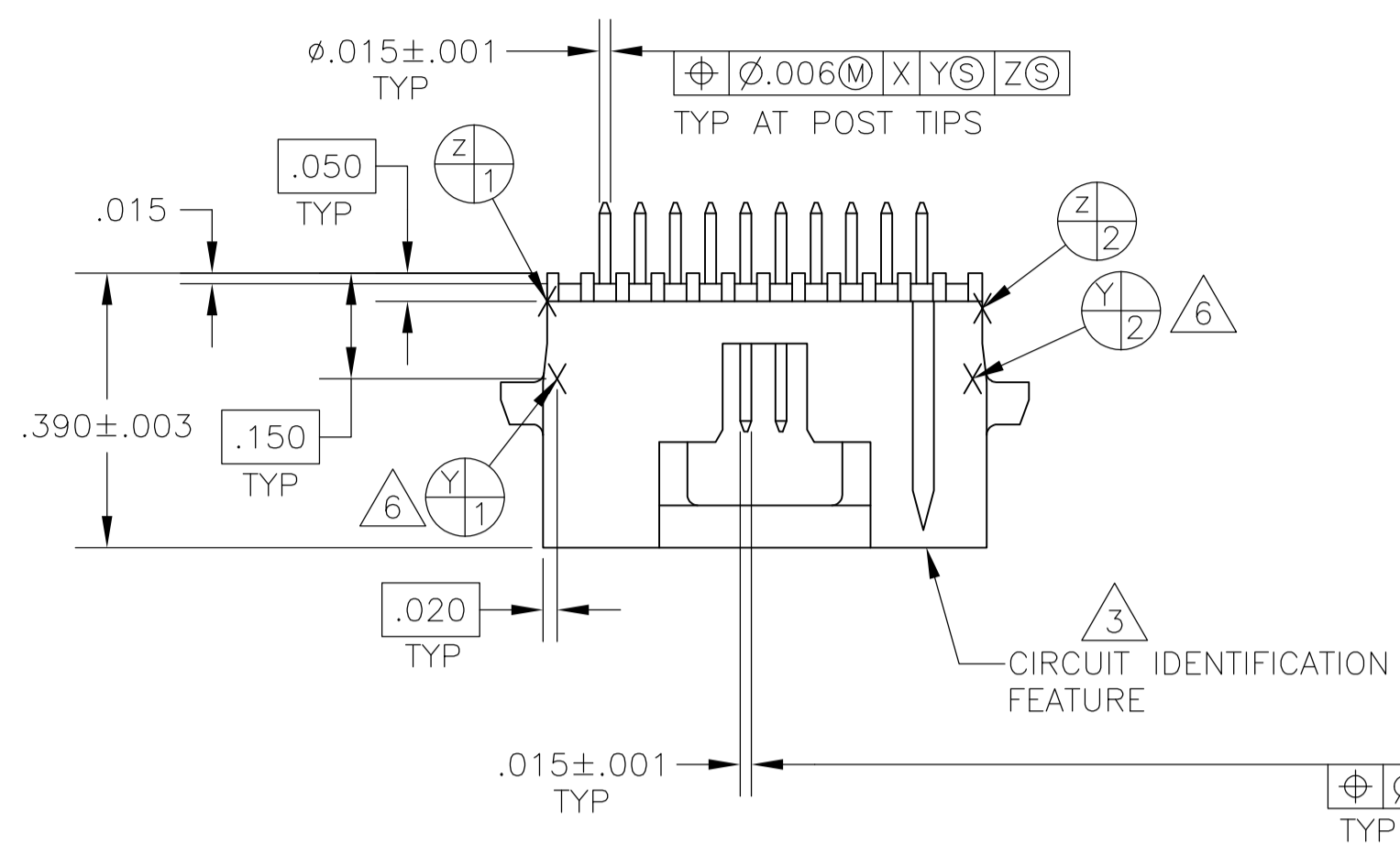
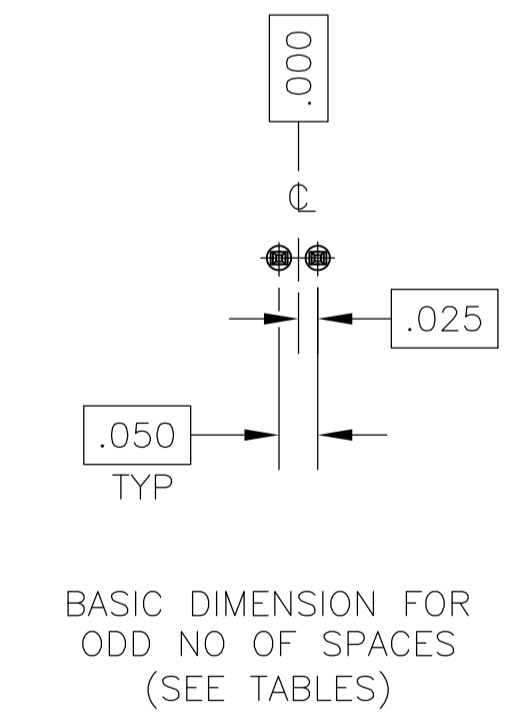


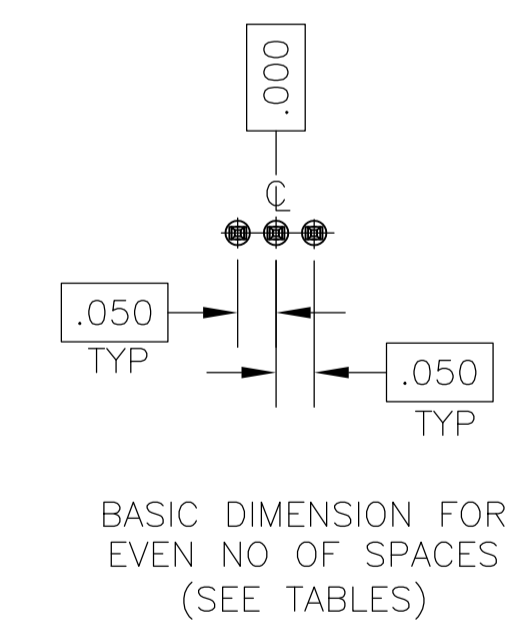
LOC		DIST		REVISIONS			
AD	00	REV	DATE	DESCRIPTION	DATE	BY	APPV
C		REVISED PER ECO-14-004699	14APR2014			NK	JO



RECOMMENDED HOLE PATTERN



BASIC DIMENSION FOR ODD NO OF SPACES (SEE TABLES)



BASIC DIMENSION FOR EVEN NO OF SPACES (SEE TABLES)

- 1 CONTACT AREAS PLATED WITH .000030 GOLD,SOLDER TAILS PLATED WITH .000150 TIN-LEAD,ALL OVER .000050 NICKEL
- 2 POINT OF MEASUREMENT FOR GOLD THICKNESS
- 3 CIRCUIT IDENTIFICATION FEATURE OMITTED ON 4,5,6 AND 7 POSITION HEADER ASSEMBLIES
- 4 DIMENSION APPLIES AT BASE OF SHROUD
- 5 THE NOTED DIMENSIONS APPLY AT THE INTERSECTION OF THE POST & HOUSING
- 6 ARE LOCATED THE SAME AS EXCEPT ON OPPOSITE SIDE OF HOUSING.
- 7 CONTACT AREAS PLATED WITH .000030 GOLD,SOLDER TAILS PLATED WITH .000150 TIN,ALL OVER .000050 NICKEL
- 8 FINISH: .000001 MIN GOLD ON GOLD PLATED AREA, .000150-.000250 MATTE TIN-LEAD ON TIN PLATE AREA. UNDER PLATING SHOULD BE .000050-.000100 NICKEL ON ENTIRE CONTACT. GOLD AND TIN PLATING MAY NOT OVERLAP.
- 9 FINISH: .000001 MIN GOLD ON GOLD PLATED AREA, .000150-.000250 MATTE TIN ON TIN PLATE AREA. UNDER PLATING SHOULD BE .000050-.000100 NICKEL ON ENTIRE CONTACT. GOLD AND TIN PLATING MAY NOT OVERLAP.
- 10 SUPERCEDED
- 11 PRELIMINARY-NOT FOR PRODUCTION

FINISH	CONTACTS OMITTED	C	B	A	NO OF POSN	PART NUMBER
9	36,37,39	1.950	39	2.130	40	7-1571338-2
	2,4,5	1.950	39	2.130	40	7-1571338-1
7	36,37,39	1.950	39	2.130	40	5-1571338-2
	2,4,5	1.950	39	2.130	40	5-1571338-1
8	36,37,39	1.950	39	2.130	40	2-1571338-2
	2,4,5	1.950	39	2.130	40	2-1571338-1
1	36,37,39	1.950	39	2.130	40	1571338-2
	2,4,5	1.950	39	2.130	40	1571338-1

THIS DRAWING IS A CONTROLLED DOCUMENT.

APPROVED: D SIMPSON 16JUL02

DESIGNED: R BROWN 16JUL02

CHECKED: D SIMPSON 16JUL02

DATE: 16JUL02

NAME: D SIMPSON

PRODUCT SPEC: 108-1093

APPLICATION SPEC: 114-25031

WEIGHT: -

SCALE: 4:1

SHEET: 1 OF 1

REV: C

CUSTOMER DRAWING

STE TE Connectivity

HEADER ASSEMBLY,VERTICAL, SINGLE ROW,W/SIDE & END LATCHES, SELECT LOADED, AMPMODU System 50

SIZE: A1

WEIGHT: -

SCALE: 4:1

SHEET: 1 OF 1

REV: C