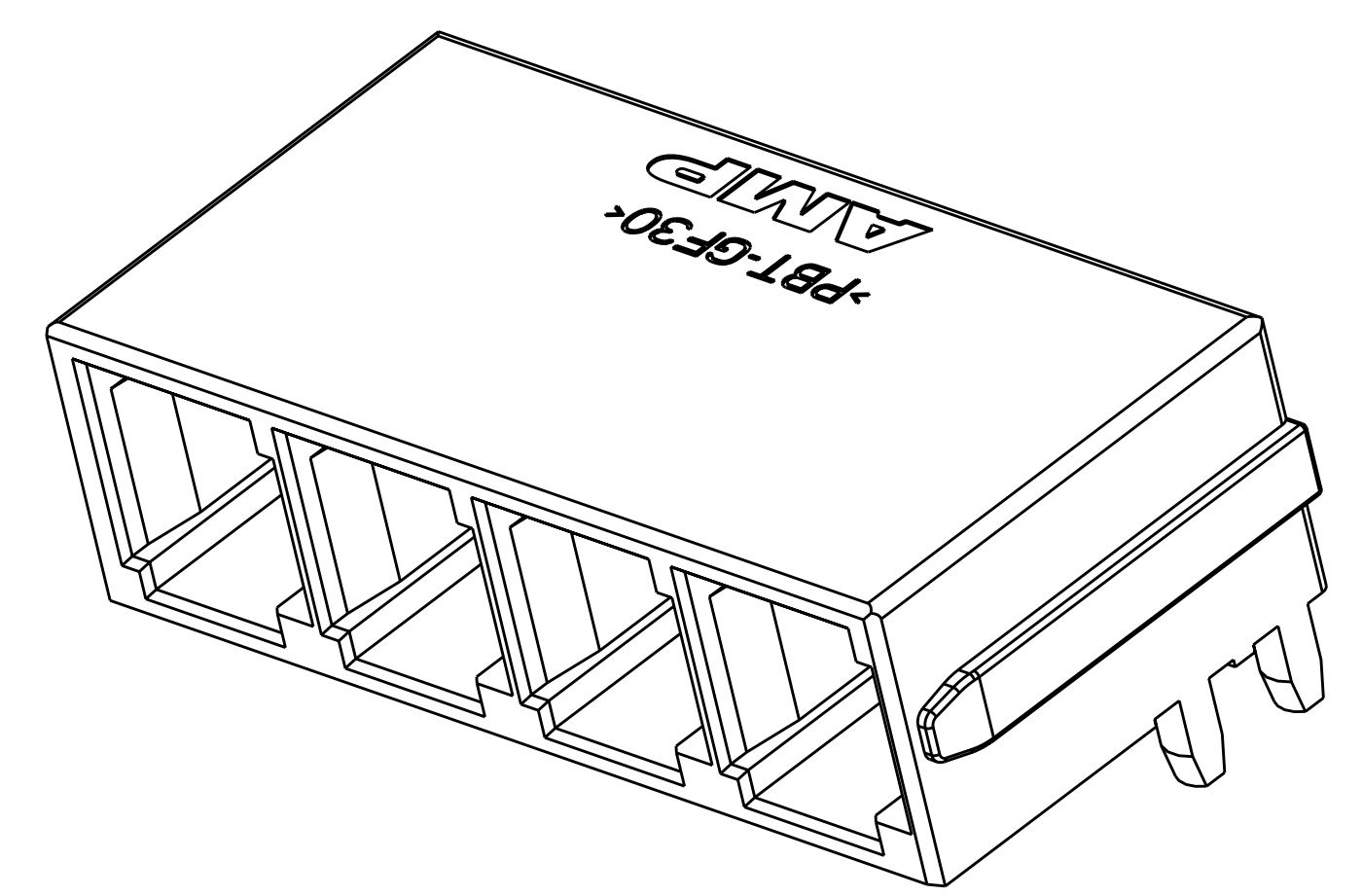
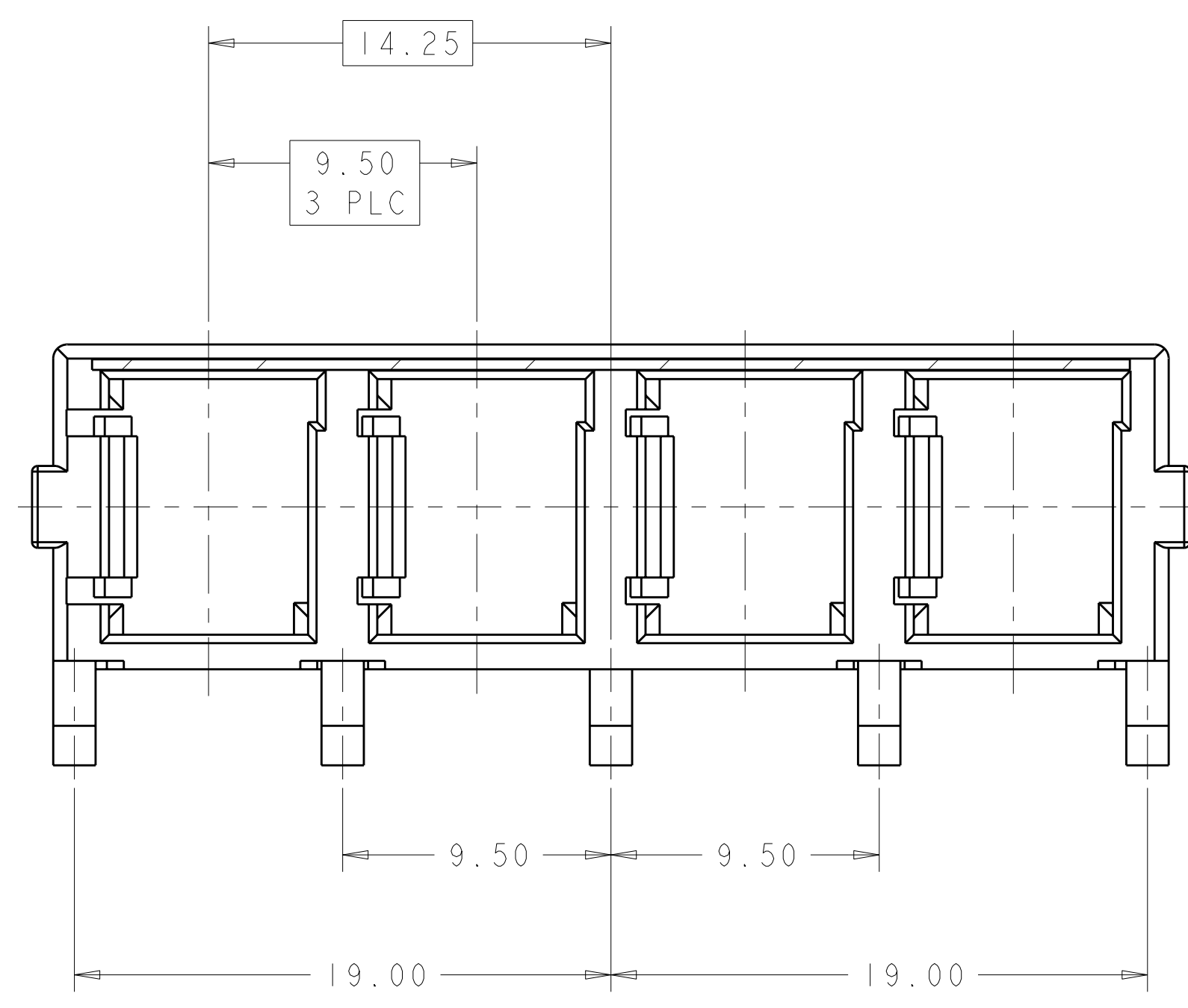
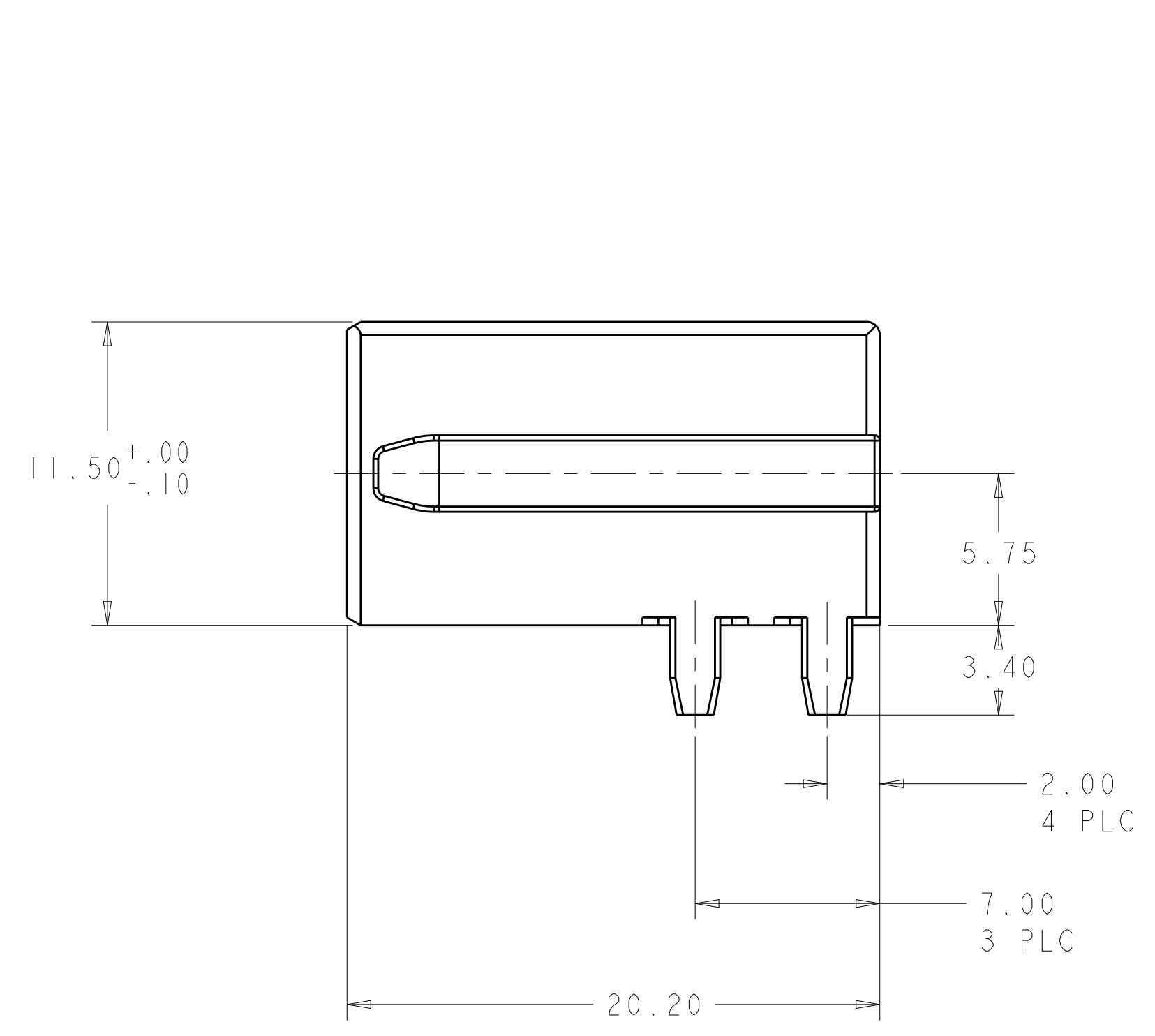
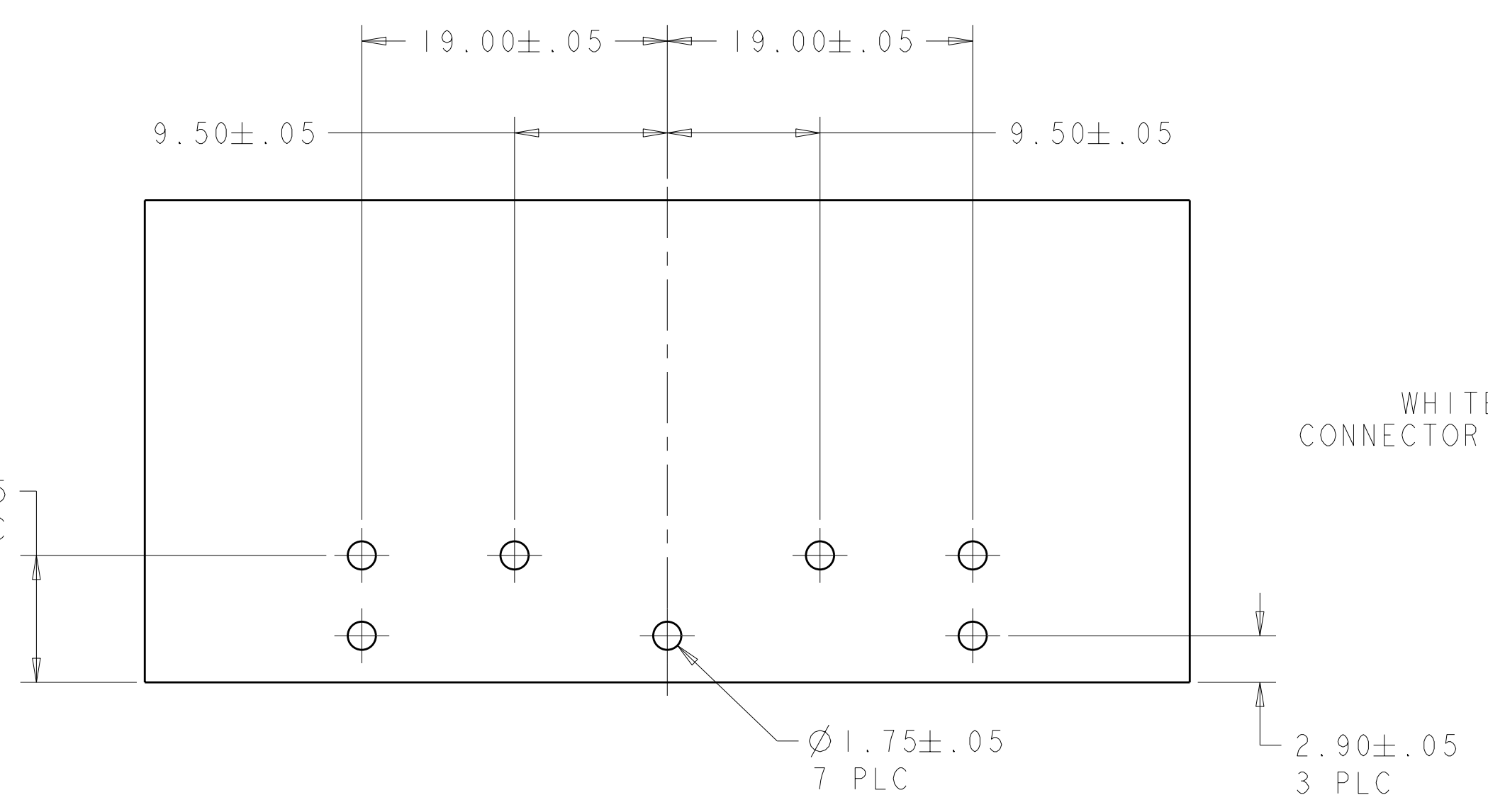
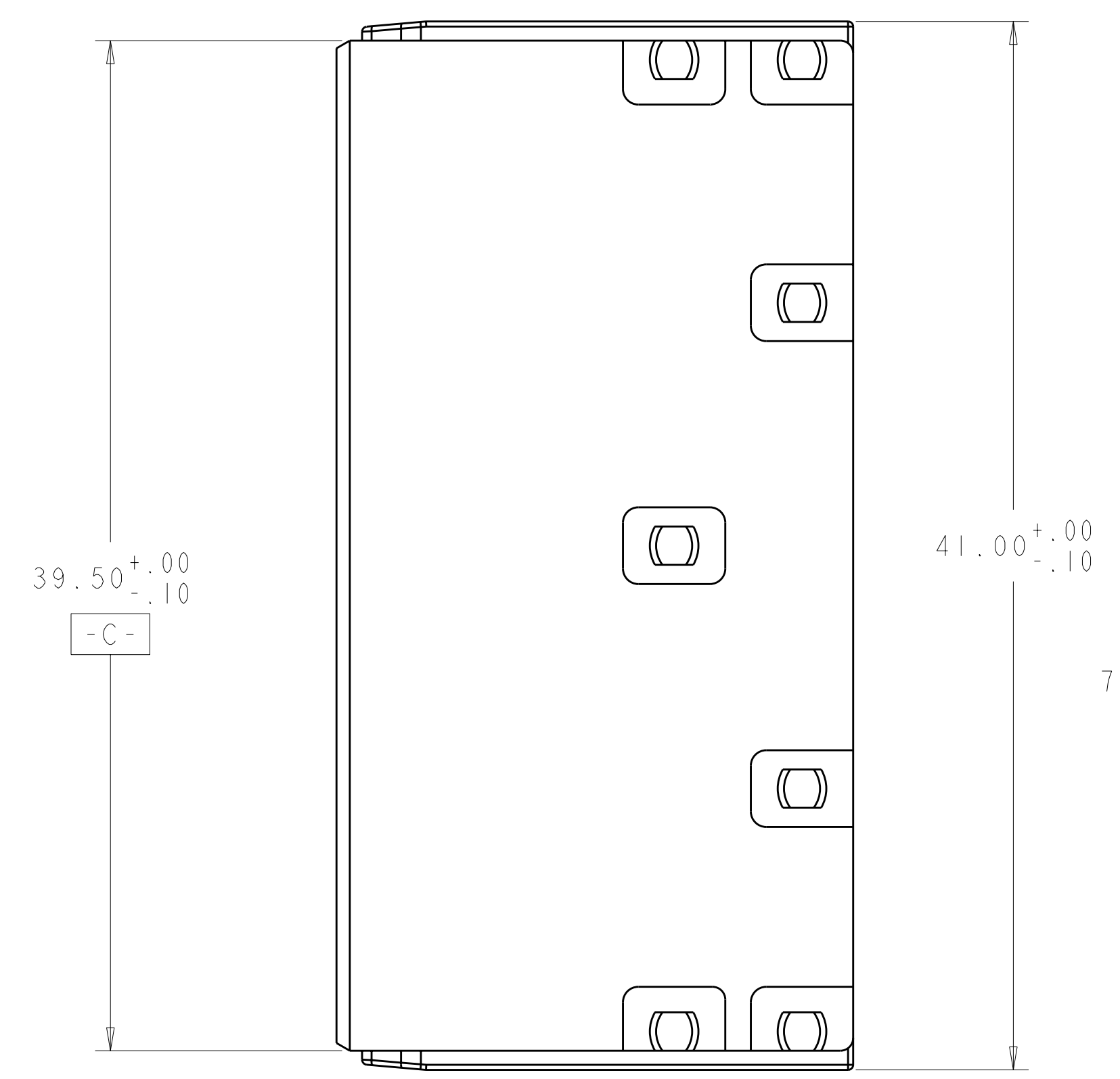


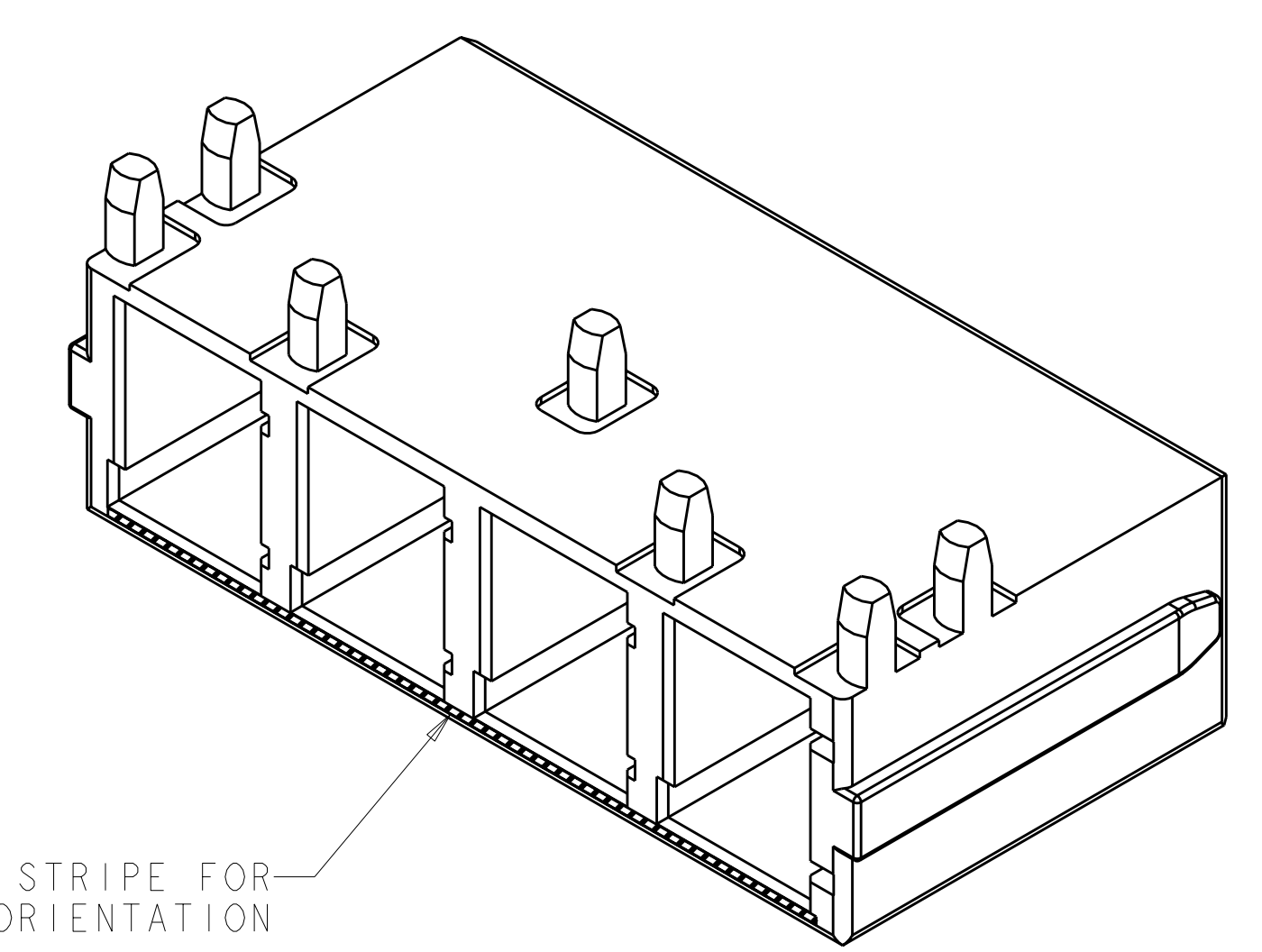
LOC	DIST	REV	DATE	DWN	APVD
CE	16	D	28 JUL 2008	EH	AP
		DESCRIPTION			
		REV PER ECR -08-018856			



SCALE 4:1



RECOMMENDED HOLE PATTERN  
SCALE 3:1



WHITE STRIPE FOR  
CONNECTOR ORIENTATION

SCALE 4:1

△ MATERIAL: GLASS FILLED PBT,  
COLOR: BLACK

1278391-1  
PART NUMBER

DIMENSIONS: mm 		TOLERANCES UNLESS OTHERWISE SPECIFIED: 9 PLC ±0.3 1 PLC ±0.10 5 PLC ±0.001 4 PLC ±0.0001 ANGLES ±0.001		DWN E. Haley 22 JUN 99 CHK L. BARKUS 22 JUN 99 APVD L. BARKUS 22 JUN 99 PRODUCT SPEC APPLICATION SPEC WEIGHT CUSTOMER DRAWING		AMP Incorporated Harrisburg, PA 17105-3608 NAME SYSTEM BOARD HOUSING, 1X4 VERTICAL, LIGHTRAY MPX SIZE CAGE CODE DRAWING NO. RESTRICTED TO A11 00779 C-1278391 SCALE 5:1 SHEET 1 OF 1 REV D	
-----------------------	--	---	--	---	--	---	--