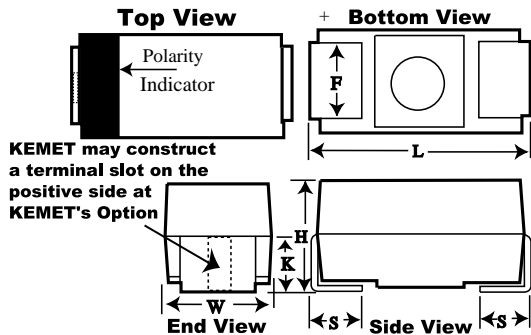


B45196E, Tantalum, MnO2 Tantalum, 1.5 uF, 20%, 35 V, SMD, Molded, 4.8 Ohms, 6032, Height Max = 2.8mm



General Information	
Supplier:	KEMET
Series:	B45196E
Dielectric:	MnO2 Tantalum
Style:	SMD Chip
Description:	SMD, Molded
Features:	Automotive
RoHS:	Yes
Termination:	Tin
Notes:	Obsolete

Dimensions	
Footprint	6032
L	6mm +/-0.3mm
W	3.2mm +/-0.3mm
H	2.5mm +/-0.3mm
S	1.3mm +/-0.3mm
F	2.2mm +/-0.1mm
K	1.8mm TYP

Packaging Specifications	
Packaging:	T&R, 330mm
Packaging Quantity:	3000

Specifications	
Capacitance:	1.5 uF
Capacitance Tolerance:	20%
Voltage DC:	35 VDC (85C), 23.45 VDC (125C)
Temperature Range:	-55/+125C
Rated Temperature:	85C
Dissipation Factor:	6%
Failure Rate:	N/A
Resistance:	4.8 Ohms (100kHz)
Current:	151.4 mAmps (25C), 136.3 mAmps (85C), 60.6 mAmps (125C)
Leakage Current:	0.6 uA