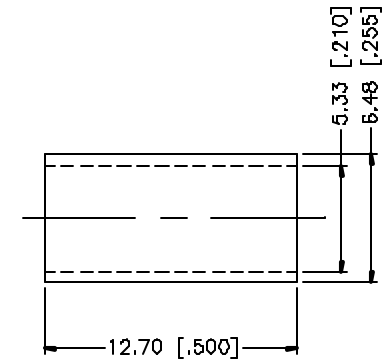
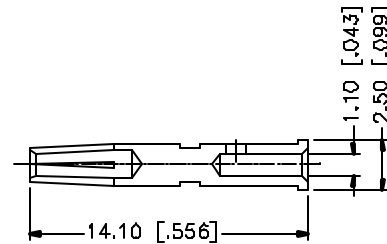
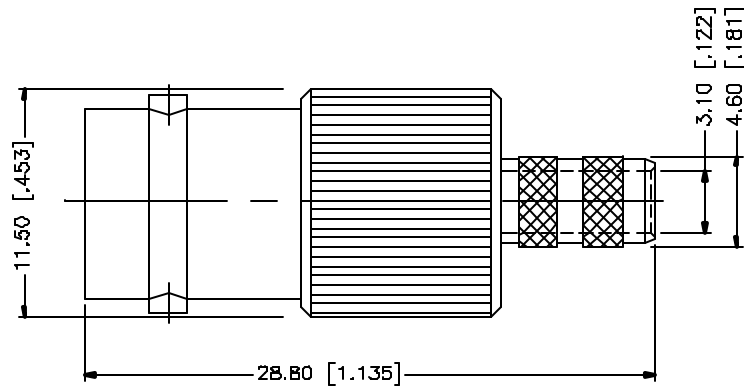
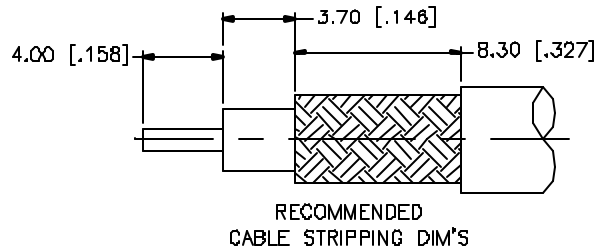


REV.	DATE	DESCRIPTION
NC	05/01/04	INITIAL RELEASE



NOTE:

1. CRIMPED FERRULE
HEX CRIMP SIZE .213"
2. CRIMPED CONTACT PIN
HEX CRIMP SIZE .068"

REV.	DATE	DESCRIPTION
NC	05/01/04	INITIAL RELEASE
8		
7		
6		
5		
4	FERRULE	COPPER NICKEL 1
3	CONTACT PIN	PHOS. BRONZE GOLD 1
2	INSULATOR	DELFIN NATURAL 1
1	HOUSING/BODY	BRASS NICKEL 1
	DESCRIPTION	MATERIAL FINISH QTY
<p>UNLESS OTHERWISE SPECIFIED DIMENSIONS ARE IN MILLIMETERS. DIMENSIONS IN [] ARE IN INCHES AND FOR CUSTOMER REFERENCE ONLY.</p> <p>UNLESS OTHERWISE SPECIFIED TOLERANCES FOR MILLIMETERS ARE: 0.5 - 8mm ± 0.20mm 8 - 30mm ± 0.40mm 30 - 120mm ± 0.50mm</p> <p>UNLESS OTHERWISE SPECIFIED TOLERANCES FOR INCHES ARE: .020 - .315 = ± 0.007" .315 - 1.180 = ± 0.015" 1.180 - 4.724 = ± 0.020"</p> <p>DO NOT SCALE DRAWING</p>		
APPROVALS		DATE
DRAWN	G.R.S.	05/01/04
CHECKED		
ISSUED		
SHEET	1 OF 1	
CAD FILE		C:/112/112148.DWG
Amphenol Connex		
PART DESCRIPTION		
BNC CRIMP JACK		
PART NO.		
112148		
DWG. NO.	112148.DWG	REV. NC
BZE	A	SCALE NA