

PANDUIT

TG TRANSITION FITTING

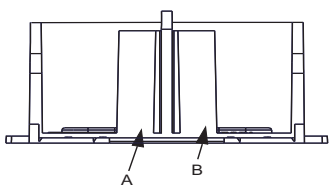
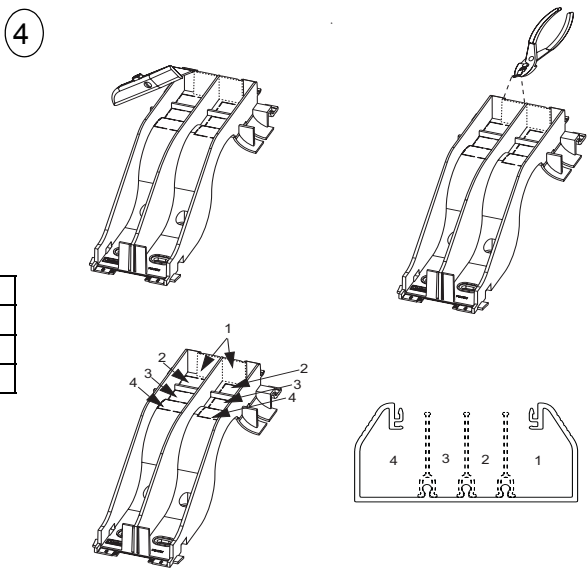
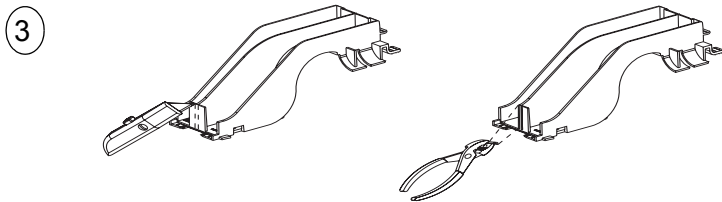
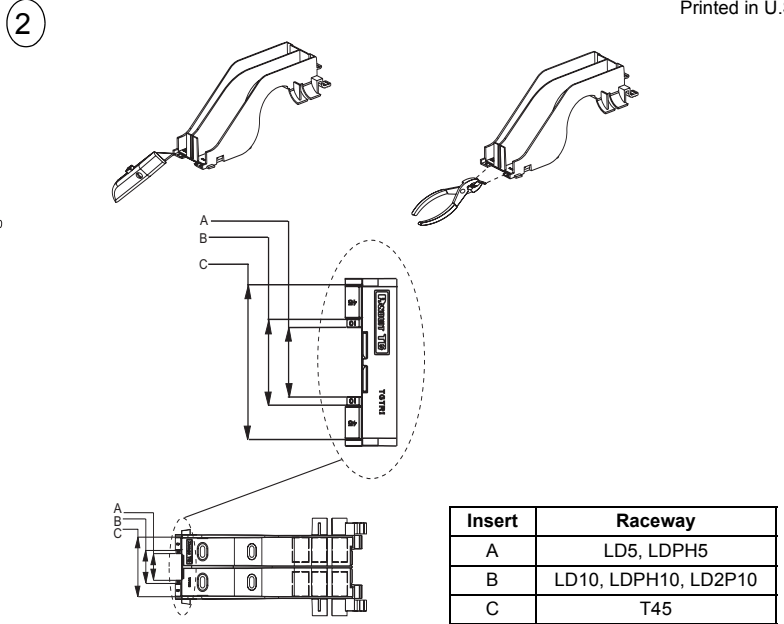
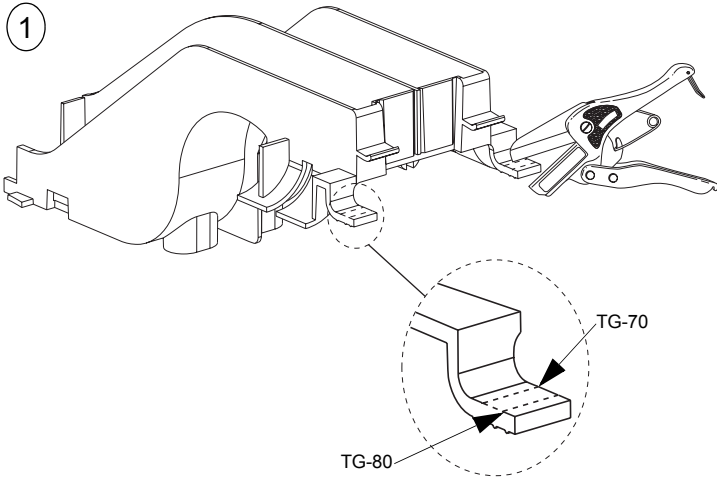
FOR USE WITH PANDUIT TG SURFACE RACEWAY ROUTING SYSTEMS

Part Number: TGTR

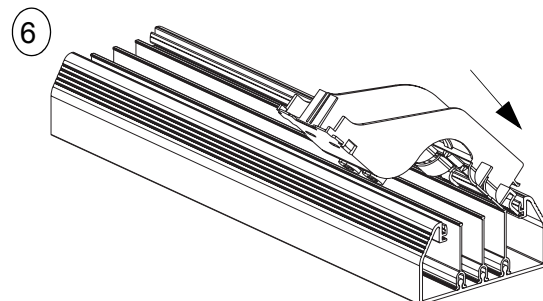
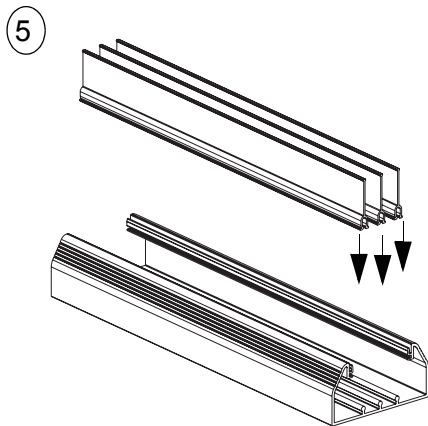
INSTALLATION INSTRUCTIONS

©Panduit Corp. 2005

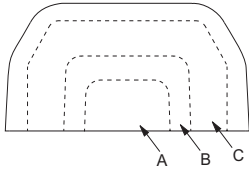
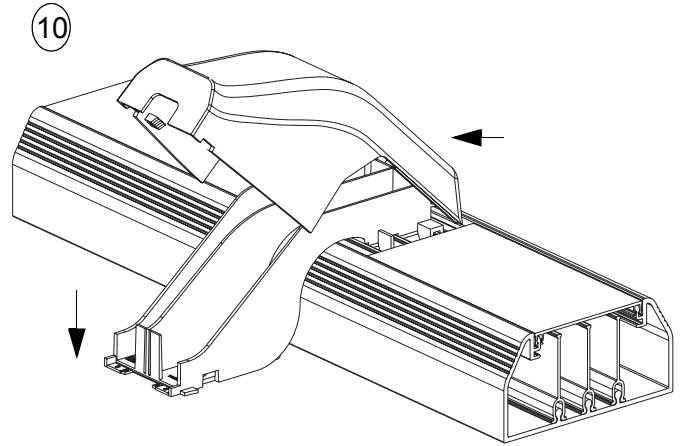
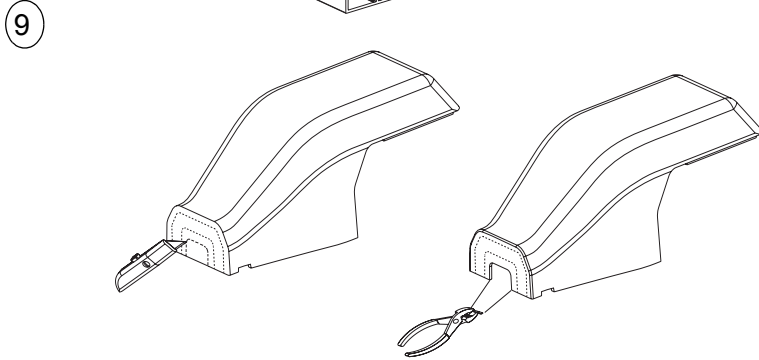
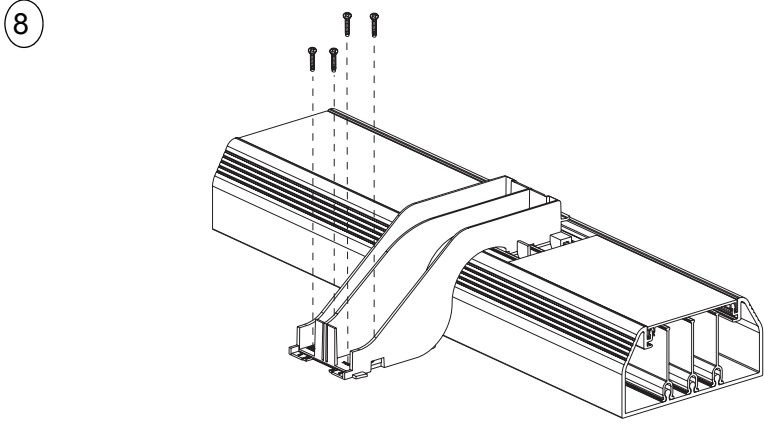
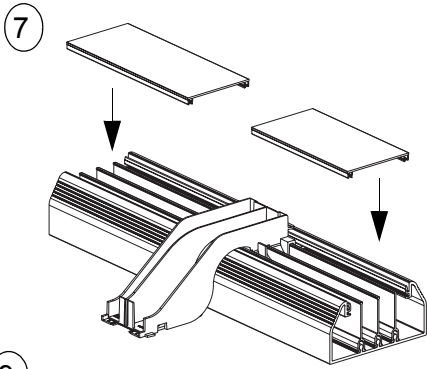
Printed in U.S.A.



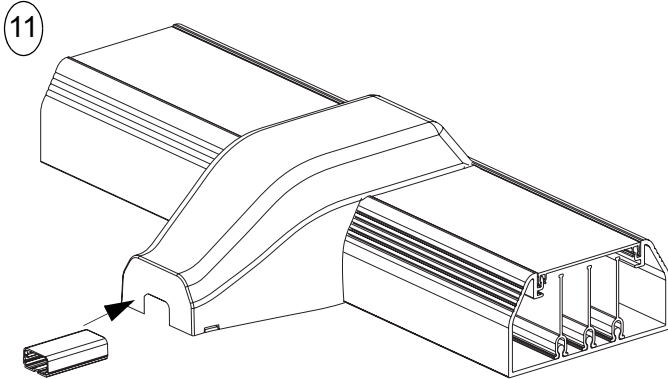
Insert	Raceway
A and B	LD5, LDPH5
A and B	LD10, LDPH10, LD2P10
A and/or B	T45



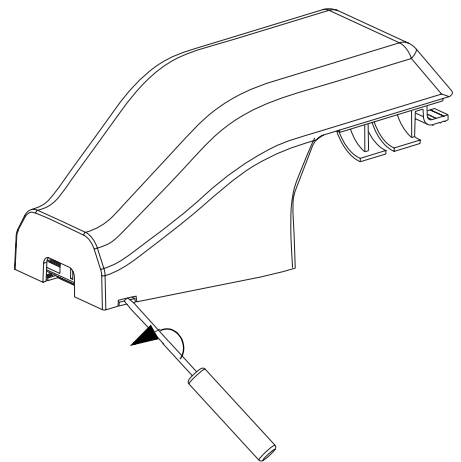
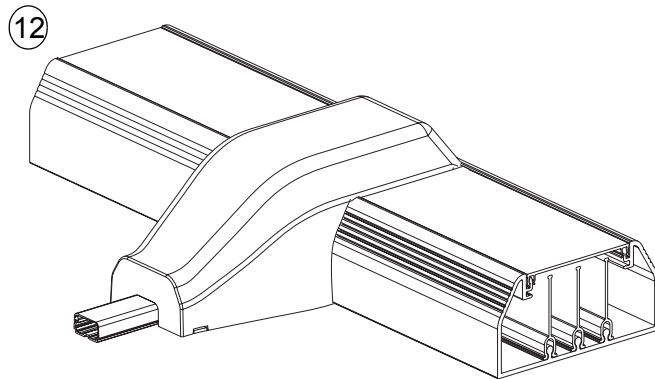
TG TRANSITION FITTING INSTALLATION INSTRUCTIONS



Insert	Raceway
A	LD5, LDPH5
B	LD10, LDPH10, LD2P10
C	T45



COVER REMOVAL



Instruction Sheet RW101

WORLDWIDE SUBSIDIARIES AND SALES OFFICES

17301 Ridgeland Avenue
Tinley Park, IL 60477-3091
Web Site: www.panduit.com



Technical Support: 866-405-6656
Fax: 866-449-1702
Email: netconnsupport@panduit.com