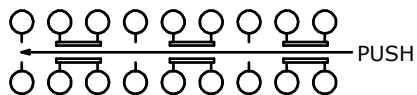
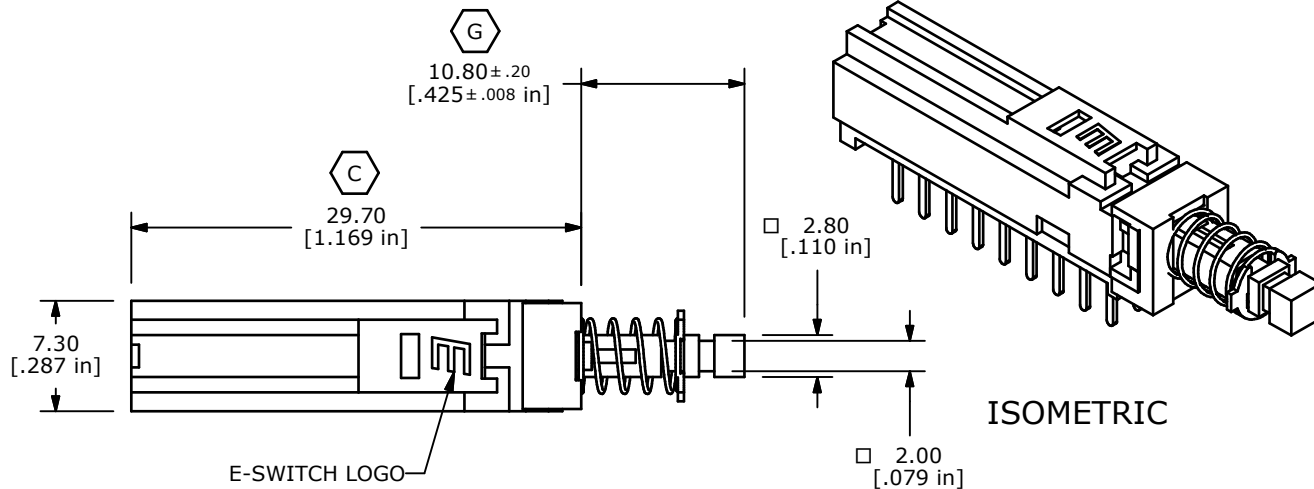


P.C. MOUNTING



CIRCUIT DIAGRAM



ISOMETRIC

NOTES:

1. ALL DIMENSIONS IN MM [INCH]
2. GENERAL TOLERANCE: X.X=± 0.4
X.XX=± 0.25
3. TERM. NOS. FOR REFERENCE ONLY.
4. RATING 0.1A @30V DC

▲5. MATERIALS:

CONTACT/TERMINALS: SILVER PLATE
 HOUSING: PBT UL94HB
 BASE: PA66 UL94HB (B)
 ACTUATOR: POM

6. CONTACT RESISTANCE: 100 MILLI-OHM (INITIAL) (C)

▲7. TIMING: NON-SHORTING

8. OPERATING FORCE: 380± 50GF

9. TRAVEL: MOMENTARY

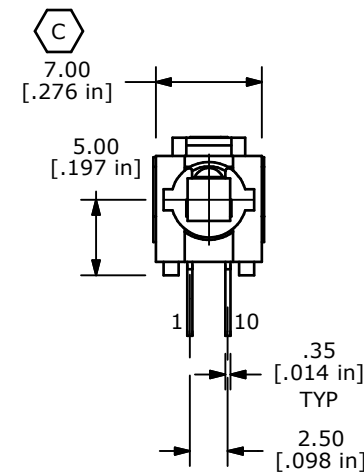
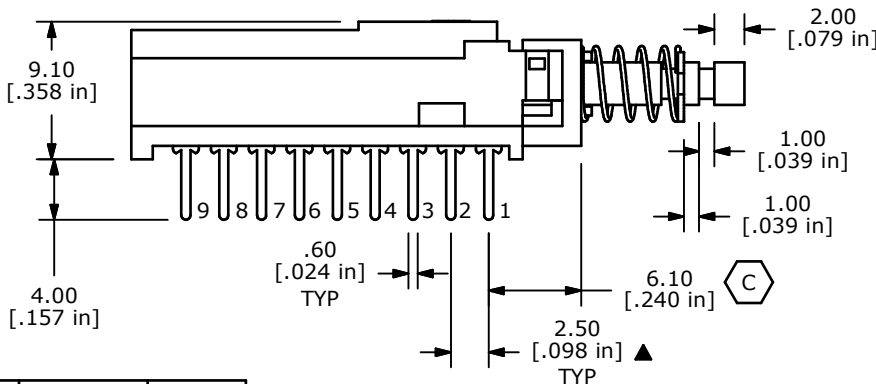
2MM TO MAKE
 3MM OVERALL

10. ELECTRICAL LIFE: 10000 CYCLES

11. OPERATING TEMP: -20°C TO +70°C (C)

12. ▲DENOTES CRITICAL PARAMETER.

13. 2002/95/EC (ROHS) COMPLIANT



G	21043	10.80mm WAS 10.20mm	2/19/13	EBP
F	19672	UPDATE CIRCUIT DIAGRAM	2/10/11	BGL
E	15669	EDIT PC MOUNT DIM, ADD ROHS	1/9/06	PH
D	15553	DIMS FROM 29.80, 0.90 TO 29.70, 1.00	11/21/05	PH
C	14893	CHANGED NOTES AND DIMENSIONS	5/3/05	JB
B	14790	ADD MATERIALS TO NOTES	3/29/05	AR
A	14691	RELEASED FOR PRODUCTION	2/14/05	AR
REV	PCR NO	DESCRIPTION	DATE	BY



TITLE PBH6UOANAGX

SCALE	DATE	DR	DWG	REV
2:1	2/2/2005	AR	Q960005	G

THE INFORMATION CONTAINED IN THIS DOCUMENT IS PROPRIETARY TO E-SWITCH AND IS NOT TO BE COPIED OR TRANSFERRED