

4

3



2

1

TYCO ELECTRONICS RESERVES THE RIGHT TO AMEND THIS DRAWING AT ANY TIME.
USERS SHOULD EVALUATE THE SUITABILITY OF THE PRODUCT FOR THEIR APPLICATION.

REVISIONS			
LTR	DESCRIPTION	DATE	APPROVED
A	INITIAL RELEASE PER DCR# T-32060	OCTOBER/1/03	M.HIGGY
B	REVISED PER DCR# C050473	June/13/05	M.HIGGY

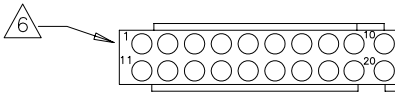
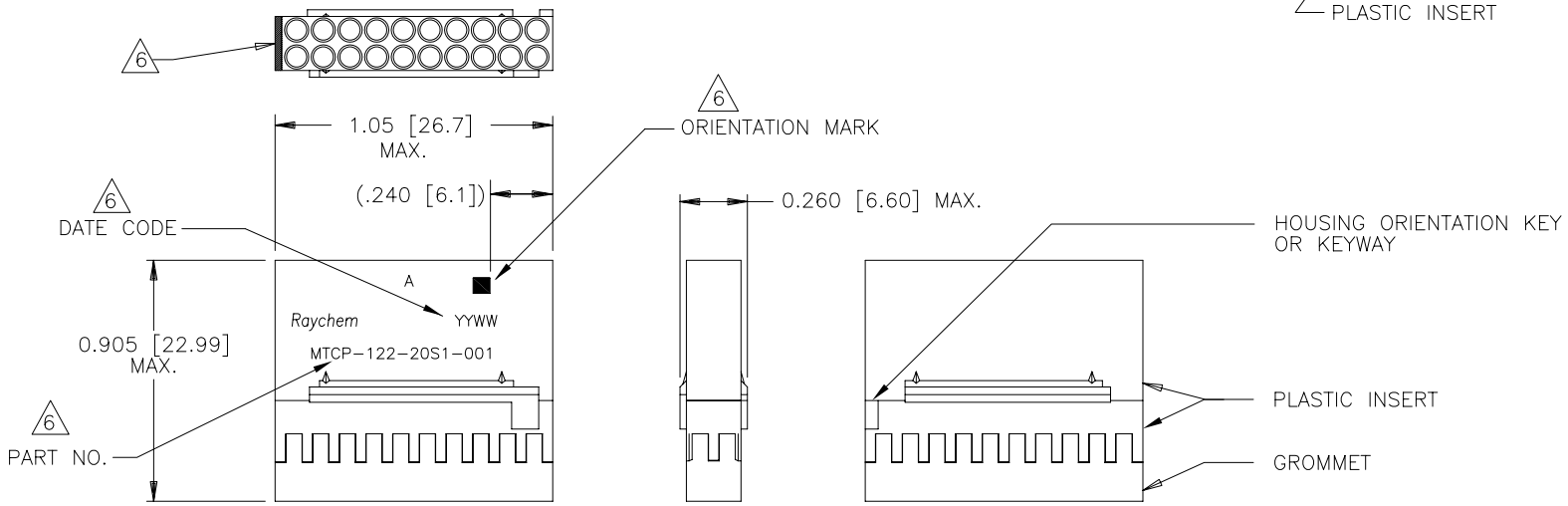
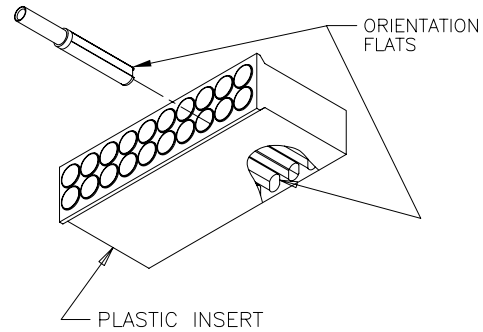
NOTES:

- THIS INSERT IS DESIGNED FOR USE IN TYCO/RAYCHEM CONNECTOR HOUSING MTC100-JH2-XXX. (SEE TYCO/RAYCHEM INFORMATION DRAWING D-659-0097 AND HOUSING SPECIFICATION CONTROL DRAWINGS FOR FURTHER DETAILS).
- PART DESCRIBED HEREON IS SUPPLIED AS SHOWN. REFER TO TYCO/RAYCHEM INFORMATION DRAWING D-659-0097 FOR CRIMP TOOLS OR ADDITIONAL CONTACTS, SEALING PLUGS OR TOOLS.
- GROMMET DESIGNED TO SEAL ON WIRES HAVING AN INSULATION DIAMETER OF 0.030 TO 0.065.
- PERFORMANCE:
THIS PRODUCT IS DESIGNED TO MEET THE APPLICABLE REQUIREMENTS OF RAYCHEM SPECIFICATION C-6115.

5. MATERIALS:

- | | |
|--|--------------------------------------|
| A) PLASTIC INSERT | HIGH GRADE POLYARYLENE THERMOPLASTIC |
| B) GROMMET | FLUOROSILICONE PER MIL-R-25988 |
| C) RETENTION CLIPS (20)
(INSIDE PLASTIC INSERT) | BERYLLIUM COPPER 172 PER ASTM B194 |

6 NUMBER ONE (1) AND ELEVEN (11) CAVITIES ARE MARKED IN CONTRASTING COLOR. PART NUMBER, RAYCHEM, A, DATE CODE AND ORIENTATION MARK ARE STAMPED APPROXIMATELY AS SHOWN.



SPECIFICATION CONTROL DRAWING

© 2005 Tyco Electronics Corporation. All rights reserved.

UNLESS OTHERWISE SPECIFIED DIMENSIONS ARE IN INCHES. METRIC DIMENSIONS ARE IN BRACKETS.	DRAWN	ZS.ORBAN	SEP/26/03	tyco Electronics	TYCO ELECTRONICS 300 Constitution Drive Menlo Park, CA. 94025 USA	Raychem				
	CHECKED									
	DECIMALS	.XXX ±	.XX ±	N/A	TITLE INSERT, SOCKET, PRIMARY, 20 CAVITY, SIZE 22-20 REMOVABLE CONTACT 2 INCH CONNECTOR SPECIAL MARKING-MTC100 SERIES	REVISIONS REV B				
	ANGLES	.X ±								
WEIGHT	2.88 g MAX.	CAD NAME	C050473.DWG	SIZE	A	CAGE CODE:	06090	DWG. NO.	MTCP-122-20S1-001	SHEET 1 OF 1
THIRD ANGLE PROJECTION				DO NOT SCALE THIS DRAWING						

If this document is printed it becomes uncontrolled.
Check for the latest revision.

4

3



2

SHEET 1
DWG. NO. MTCP-122-20S1-001