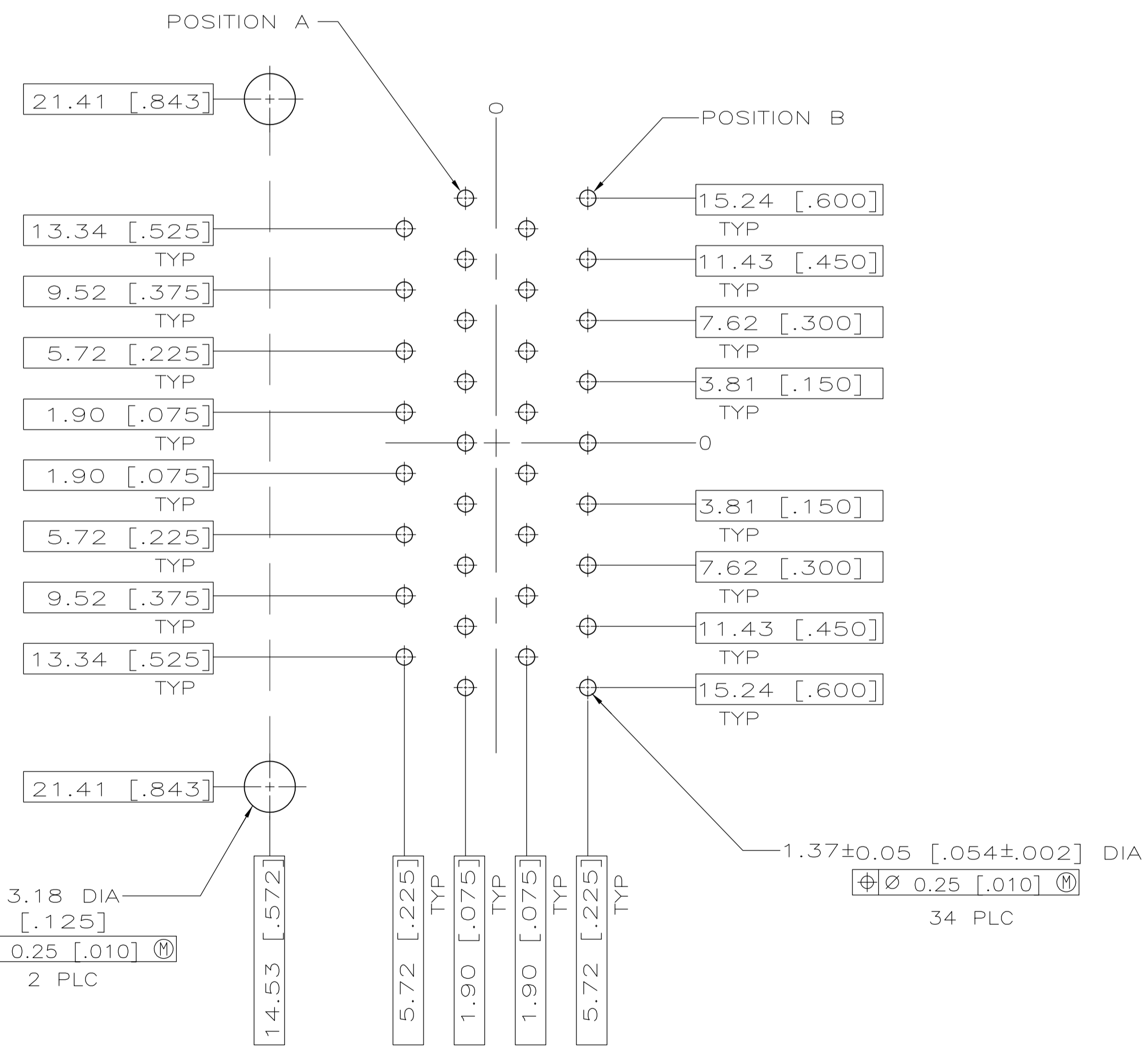
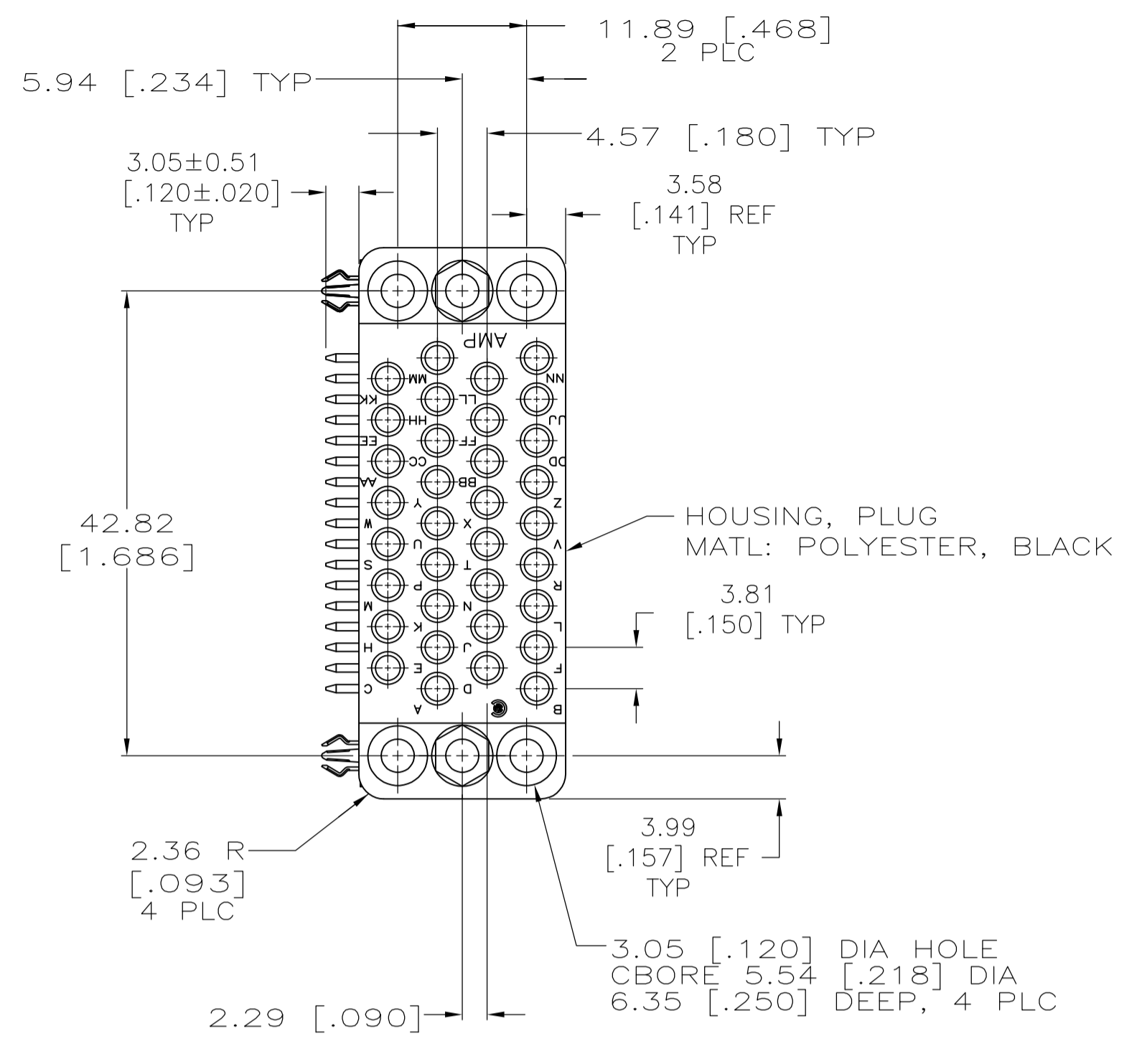
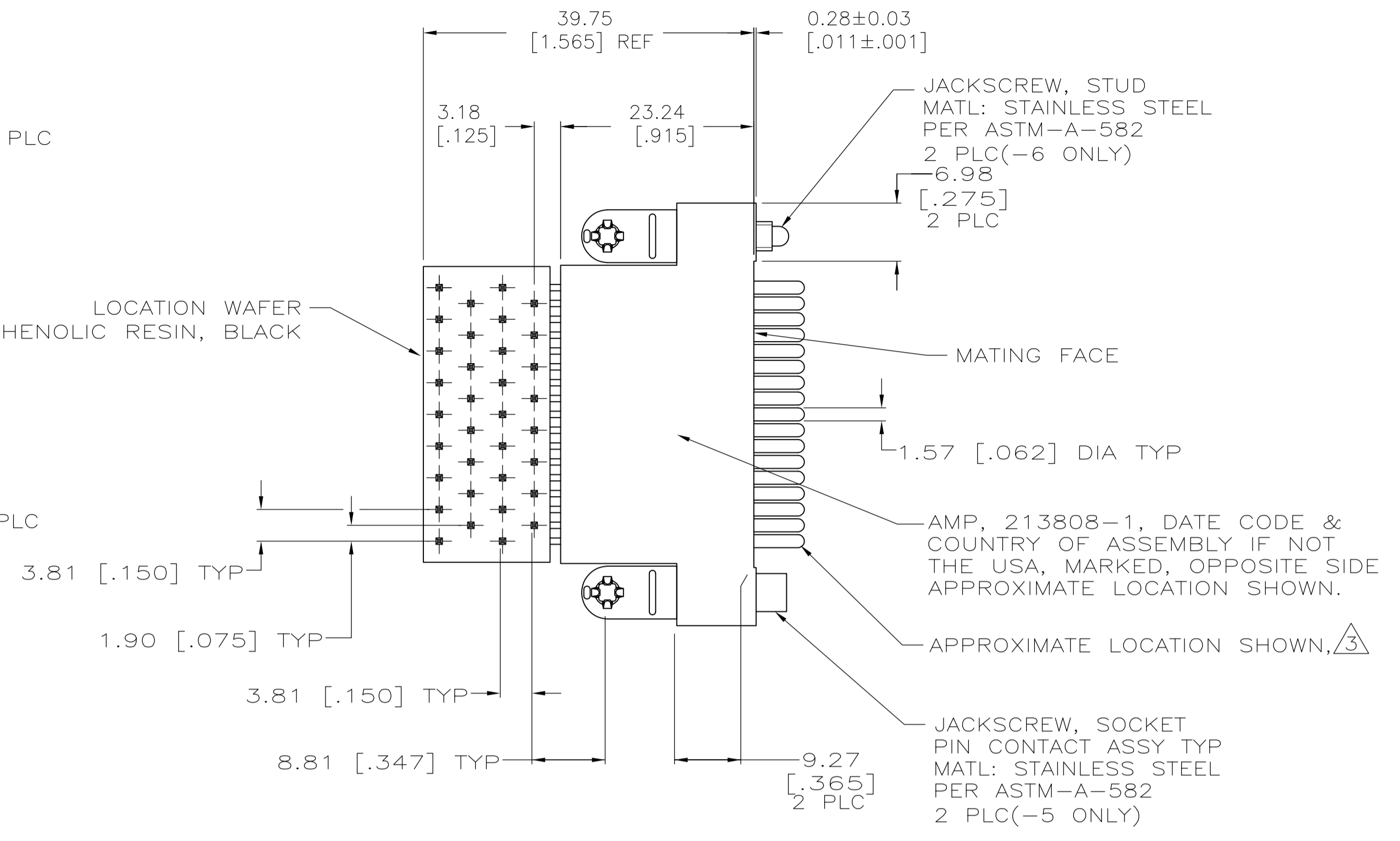
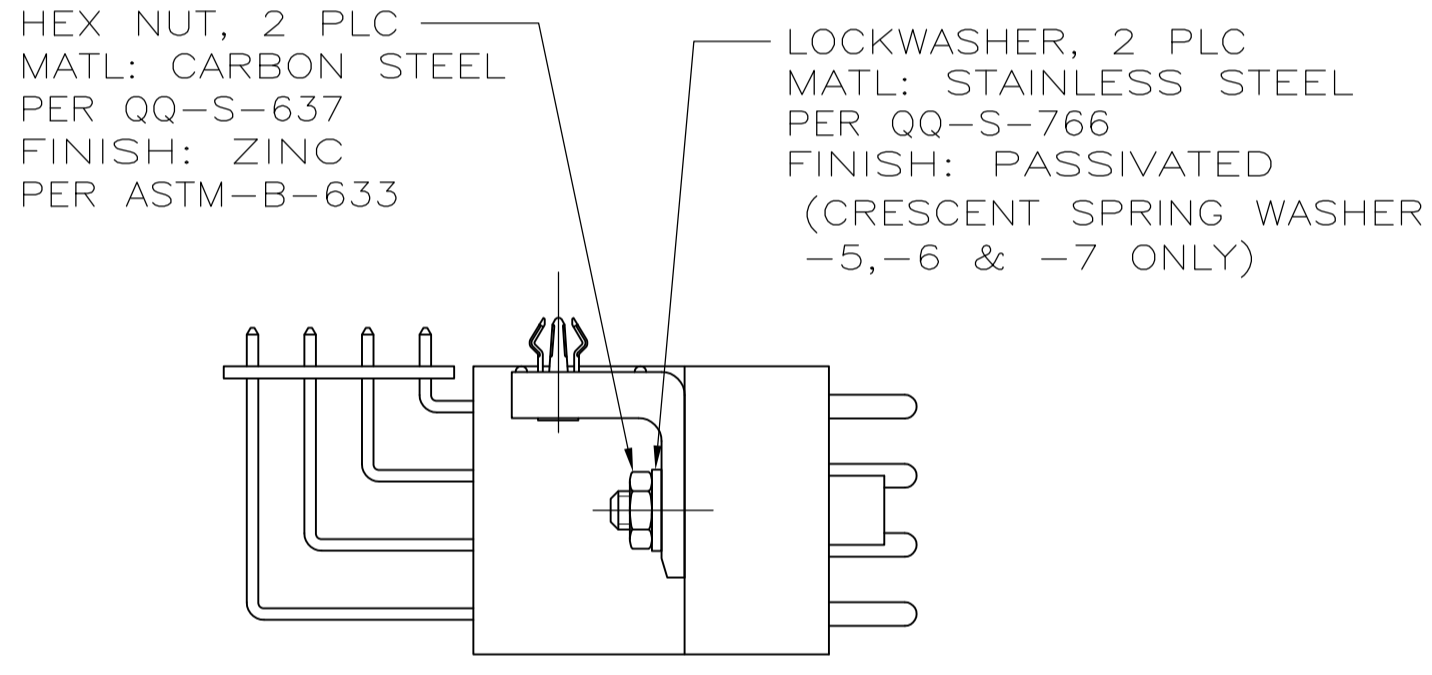


LOCATION WAFER
MATL: PHENOLIC RESIN, BLACK



RECOMMENDED PC BOARD LAYOUT
SCALE 4:1



△ MOUNTING BRACKET:
MATERIAL: ZINC PER QQ-Z-363.
FINISH: 3.81um [.000150] MIN NICKEL PER QQ-N-290 OVER 2.54um [.000100] MIN COPPER PER MIL-C-14550.

△ BOARDLOCK:
MATERIAL: COPPER ALLOY PER ASTM-B-592.
FINISH: 5.08um [.000200] MIN TIN-LEAD PER MIL-T-10727 OVER 1.27um [.000050] MIN NICKEL PER QQ-N-290.

△ PIN CONTACT ASSEMBLY:
BODY MATERIAL: BRASS PER MIL-C-50.
FINISH: 0.76um [.000030] MIN GOLD PER MIL-C-45204 FOR A LENGTH OF 5.08 [.200] MIN FROM MATING END, 2.54um [.000100] MIN TIN-LEAD PER MIL-T-10727 FOR A LENGTH OF 6.35 [.250] MIN FROM OPPOSITE END, BOTH OVER 1.27um [.000050] MIN NICKEL PER QQ-N-290.
SPRING-MATERIAL: STAINLESS STEEL PER QQ-S-766.
POST-MATERIAL: BRASS PER ASTM-B-134.
FINISH: 2.54um [.000100] MIN TIN-LEAD PER MIL-T-10727 OVER 1.27um [.000050] MIN NICKEL PER QQ-N-290.

△ PIN CONTACT ASSEMBLIES ARE SELECTIVELY LOADED INTO HOUSING AND LOCATION WAFER AT CIRCUITS A,B,C,D,E,F,H,K,P,R,S,T,U,V,W,X,Y AND AA. NO HARDWARE IS SUPPLIED.

△ PIN CONTACT ASSEMBLY:
BODY MATERIAL: BRASS PER MIL-C-50.
FINISH: 0.76um [.000030] MIN GOLD PER MIL-C-45204 FOR A LENGTH OF 5.08 [.200] MIN FROM MATING END, 2.54um [.000100] MIN TIN PER MIL-T-10727 FOR A LENGTH OF 6.35 [.250] MIN FROM OPPOSITE END, BOTH OVER 1.27um [.000050] MIN NICKEL PER QQ-N-290.
SPRING-MATERIAL: STAINLESS STEEL PER QQ-S-766.
POST-MATERIAL: BRASS PER ASTM-B-134.
FINISH: 2.54um [.000100] MIN TIN PER MIL-T-10727 OVER 1.27um [.000050] MIN NICKEL PER QQ-N-290.

△ BOARDLOCK:
MATERIAL: COPPER ALLOY PER ASTM-B-592.
FINISH: 5.08um [.000200] MIN TIN PER MIL-T-10727 OVER 1.27um [.000050] MIN NICKEL PER QQ-N-290.

△ OBSOLETE PARTS: OBSOLETE CIS STREAMLINING PER D.RENAUD/D.SINISI

PRELIMINARY		5	6	213808-7
PRELIMINARY	2 STUD JACK SCREW	5	6	213808-6
PRELIMINARY	2 SOCKET JACK SCREW	5	6	213808-5
7	OBSOLETE	5	-	213808-4
7	OBSOLETE	5	6	213808-3
7	OBSOLETE	3	-	213808-2
7	SUPERSEDED	3	2	213808-1
	NOTE	CONTACT & POST PLATING	BOARDLOCK PLATING	PART NUMBER

THIS DRAWING IS A CONTROLLED DOCUMENT.

DIN 08-22-94
D. BROCKWAY
CIRK 09-08-94
R. STONE

TE Connectivity

CONNECTOR ASSEMBLY, PIN, 34 POSITION, RIGHT ANGLE, M SERIES

00779C=213808

SCALE 2:1 SHEET 1 OF 1 REV E3