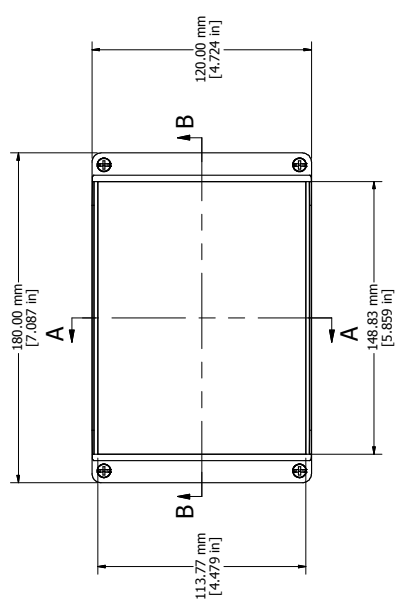
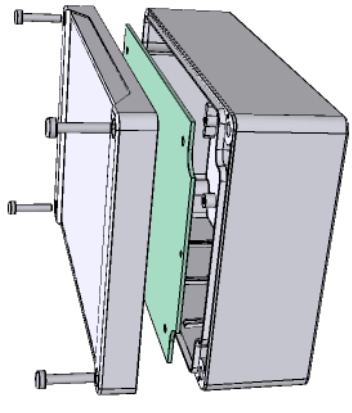
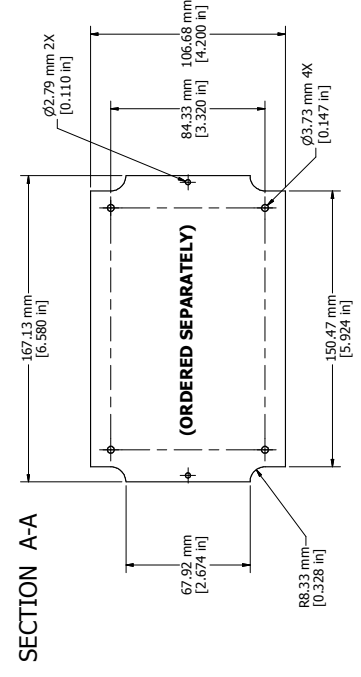
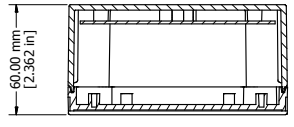


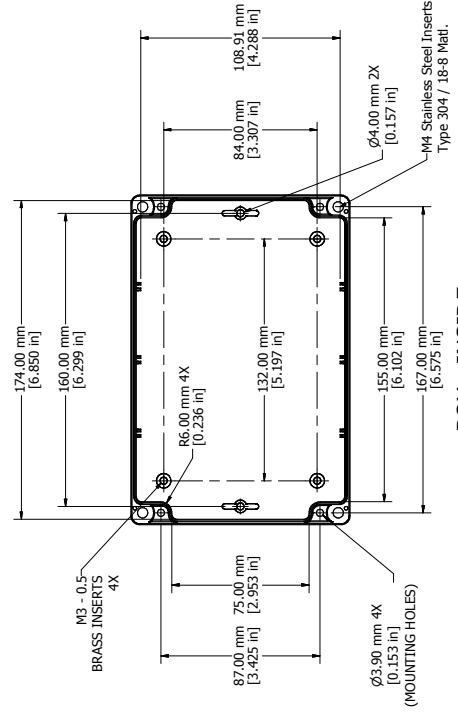
1 2 3 4 5 6 7 8



**UL US LISTED**  
 File #E65324  
 NEMA 4, 4X



**SECTION B-B**



**NOTE**  
 Purchased assembly includes box, lid, and 4 cover screws  
 Cover screws should be torqued to 2.5 lbf/in (30 cN-m)  
 Polycarbonate version is UL 508 approved

<b>1554H</b>		
1554H Regular Enclosure		
General Purpose ABS RAL-7035 UL94 - HB	1554HGY	
Polycarbonate RAL-7035 UL94 - V0 / 5VA @ 3mm	1554H2GY	
<b>ACCESSORIES</b>		
Heavy Duty 16 Gauge Galvanized Steel Panels	1554HPL	
Steel Panel / P.C. Board Machine Screw	159 MM100	
Steel Panel / P.C. Board Self Tapping Screw	1598A TS 100	
#6 X 1/4" (6.4mm) Nickel Plated]		
Cover Screws (Pkg 4)		SC1564
[M4 X 20mm Type 304 Stainless Steel]		



**HAMMOND**  
**MANUFACTURING™**  
**1555H**  
 www.hammondmfg.com

Enclosures can be Factory Modified (Milling, Drilling, Printing etc.)  
 Solid models of this enclosure available in STEP or IGES.  
 Contact Factory [mjm@hammondmfg.com](mailto:mjm@hammondmfg.com)

**LID - INSIDE**

