

THIS DRAWING IS UNPUBLISHED. RELEASED FOR PUBLICATION AUG ,2006.
 © COPYRIGHT - BY TYCO ELECTRONICS CORPORATION. ALL RIGHTS RESERVED.

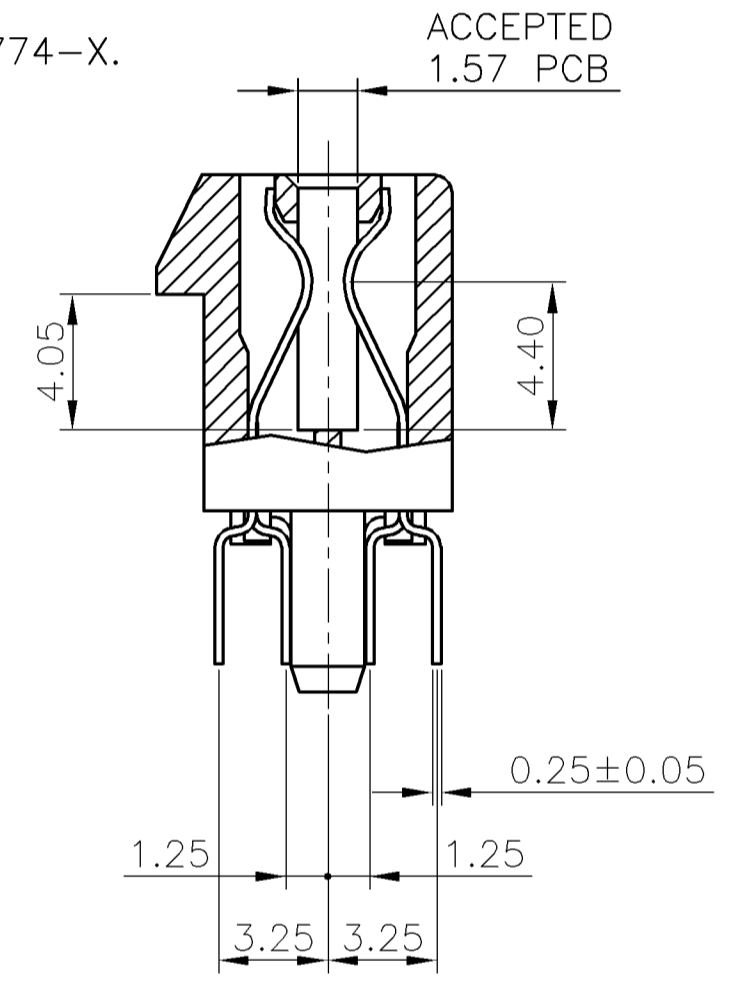
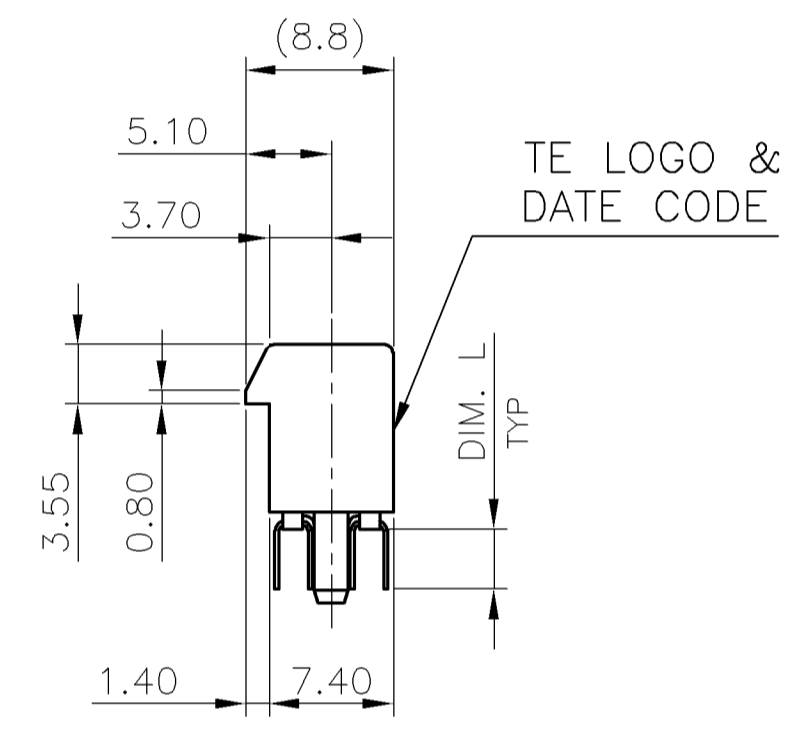
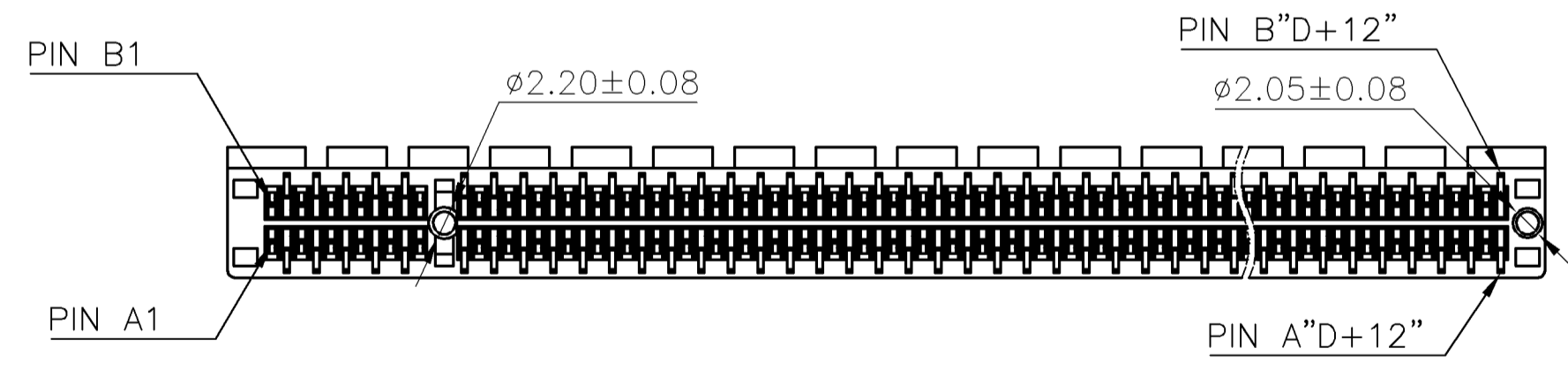
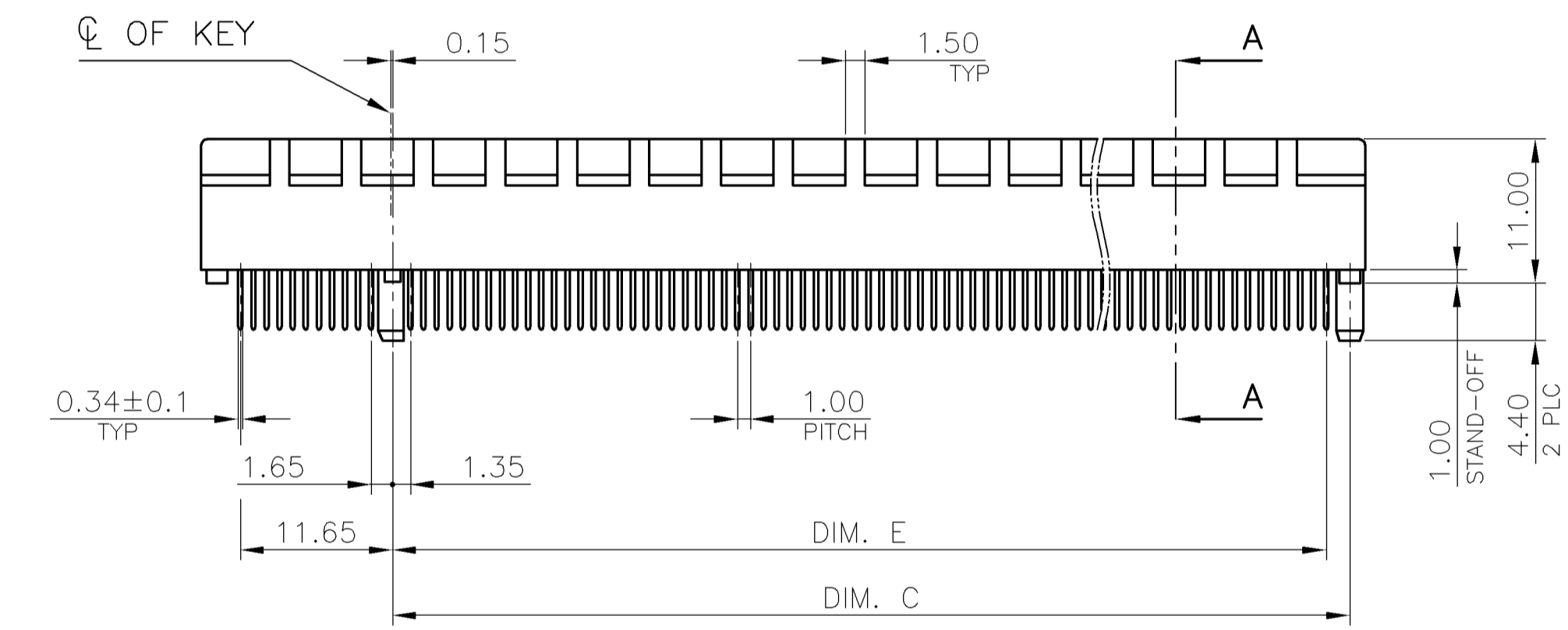
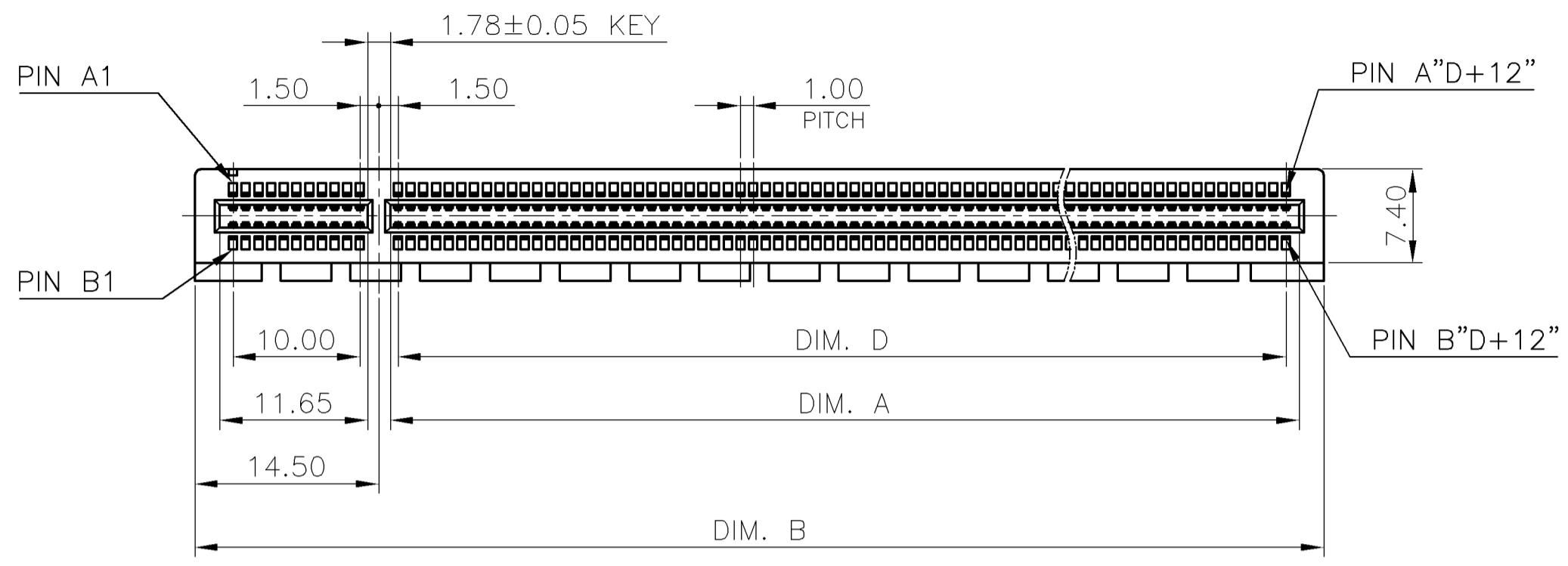
LOC DW	DIST /	REVISIONS		
P	LTR	DESCRIPTION	DATE	DWN APVD
	A1	REVISED (ECR-11-010779)ADD 1-2041354-2 & REVISED	25 MAY 2011	E.L. W.K.

NOTES:

- MATERIAL:
 - HOUSING: PA9T WITH 30% G.F, UL94V-0; COLOR: BLACK
 - CONTACT: PHOSPHOR BRONZE
- FINISH:

CONTACT:

(SEE TABLE) GOLD PLATING ON CONTACT AREA.
 2.54um [100u"] MIN. MATTE-TIN PLATING ON SOLDER TAIL AREA.
 1.27um [50u"] MIN. NICKEL UNDERPLATING OVERALL.
- WAVE SOLDER CAPABLE TO 265°C
 PER TE SPEC. 109-202, CONDITION B.
- DIMENSION "L" IS DIFFERENT FROM PN 1734774-X.



A-A
SCALE 1:1

3.90	3.56	21.35	20	23.15	39	21.65	64	0.762um[30u"]	1-2041354-2
8.80		71.35	70	73.15	89	71.65	164	0.381um[15u"]	2041354-4
5.50		38.35	37	40.15	56	38.65	98		2041354-3
WEIGHT (g)	DIM. L	DIM. E	DIM. D	DIM. C	DIM. B	DIM. A	POS.	MIN. GOLD THICKNESS	PART NUMBER

THIS DRAWING IS A CONTROLLED DOCUMENT.		DWN E. LIU 13JAN2011	TE Connectivity PCI EXPRESS CARD EDGE CONNECTOR VERTICAL, DIP TYPE											
DIMENSIONS: MM		CHK S. CHIEN 13JAN2011												
TOLERANCES UNLESS OTHERWISE SPECIFIED:		APVD W. KODAMA 13JAN2011												
<table border="0"> <tr><td>0 PLC</td><td>± -</td></tr> <tr><td>1 PLC</td><td>± 0.3</td></tr> <tr><td>2 PLC</td><td>± 0.2</td></tr> <tr><td>3 PLC</td><td>± 0.15</td></tr> <tr><td>4 PLC</td><td>± -</td></tr> <tr><td>ANGLES</td><td>± 3°</td></tr> </table>		0 PLC				± -	1 PLC	± 0.3	2 PLC	± 0.2	3 PLC	± 0.15	4 PLC	± -
0 PLC	± -													
1 PLC	± 0.3													
2 PLC	± 0.2													
3 PLC	± 0.15													
4 PLC	± -													
ANGLES	± 3°													
MATERIAL SEE NOTE		FINISH SEE NOTE	PRODUCT SPEC 108-57787	APPLICATION SPEC	RESTRICTED TO									
SEE NOTE		SEE NOTE	WEIGHT SEE TABLE	SIZE A3	CAGE CODE 00779									
CUSTOMER DRAWING			DRAWING NO C=2041354	SCALE -	SHEET 1 OF 5									
			REV A1											

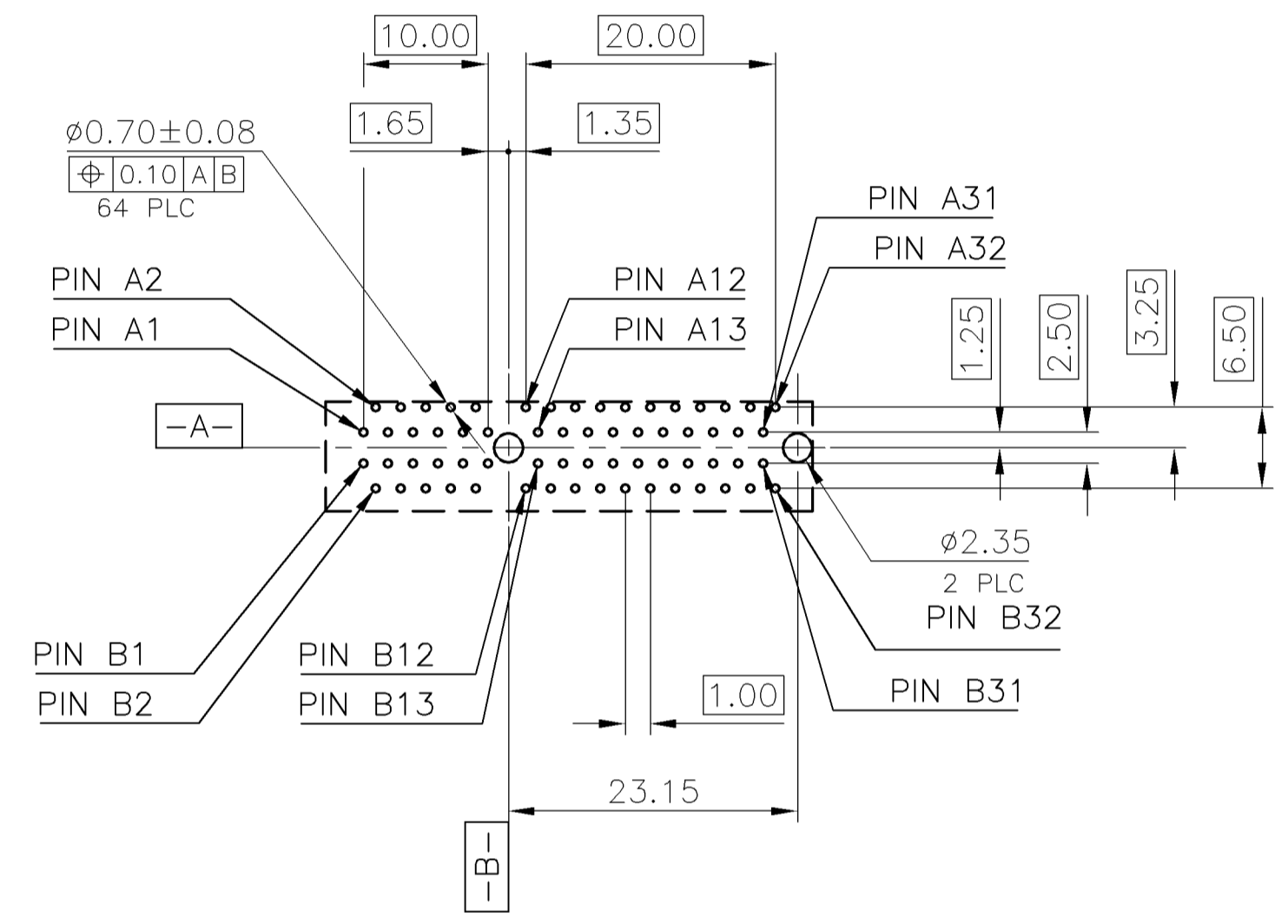
THIS DRAWING IS UNPUBLISHED. RELEASED FOR PUBLICATION AUG ,2006.
 © COPYRIGHT - BY TYCO ELECTRONICS CORPORATION. ALL RIGHTS RESERVED.

LOC	DIST	REVISIONS			
P	LTR	DESCRIPTION	DATE	DWN	APVD
		SEE SHEET 1.			

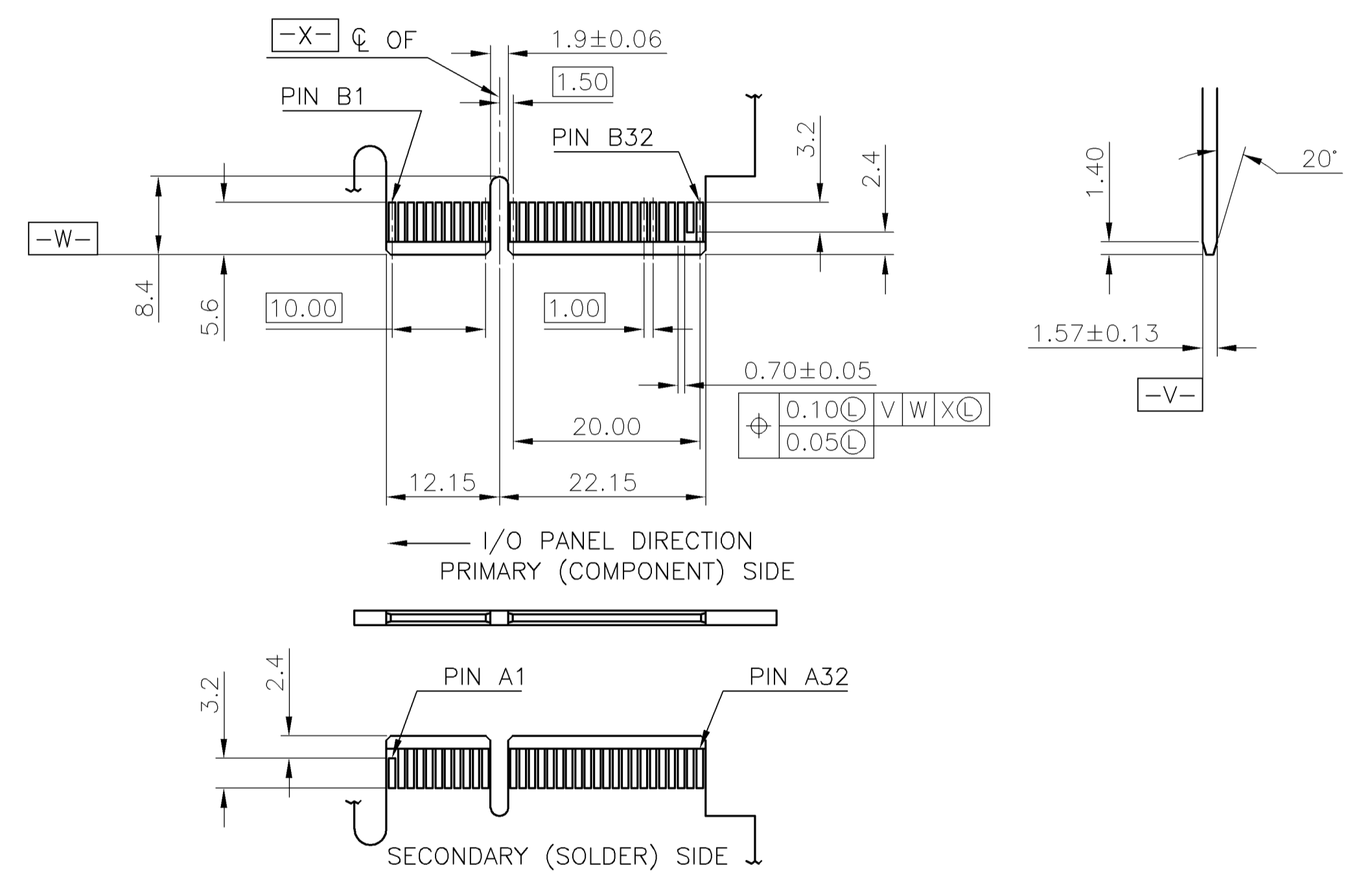
64POS

ADD-IN CARD EDGE-FINGER DIMENSIONS

NOTES:
CHAMFER EDGE MUST BE FREE OF CUTTING BURRS



RECOMMENDED PCB LAYOUT
 TOLERANCE: ± 0.05
 (APPLY TO P.C.B THICKNESS: 2.36mm)



THIS DRAWING IS A CONTROLLED DOCUMENT.		DWN	TE Connectivity PCI EXPRESS CARD EDGE CONNECTOR VERTICAL, DIP TYPE				
DIMENSIONS: MM		CHK				NAME	
TOLERANCES UNLESS OTHERWISE SPECIFIED: 0 PLC \pm - 1 PLC ± 0.3 2 PLC ± 0.2 3 PLC ± 0.15 4 PLC \pm - ANGLES $\pm 3^\circ$		APVD				SIZE	
MATERIAL		PRODUCT SPEC				CAGE CODE	DRAWING NO
FINISH		APPLICATION SPEC	A300779 C=2041354				
		WEIGHT	CUSTOMER DRAWING		SCALE		
			SHEET 2 OF 5		REV A1		

4

3

2

1

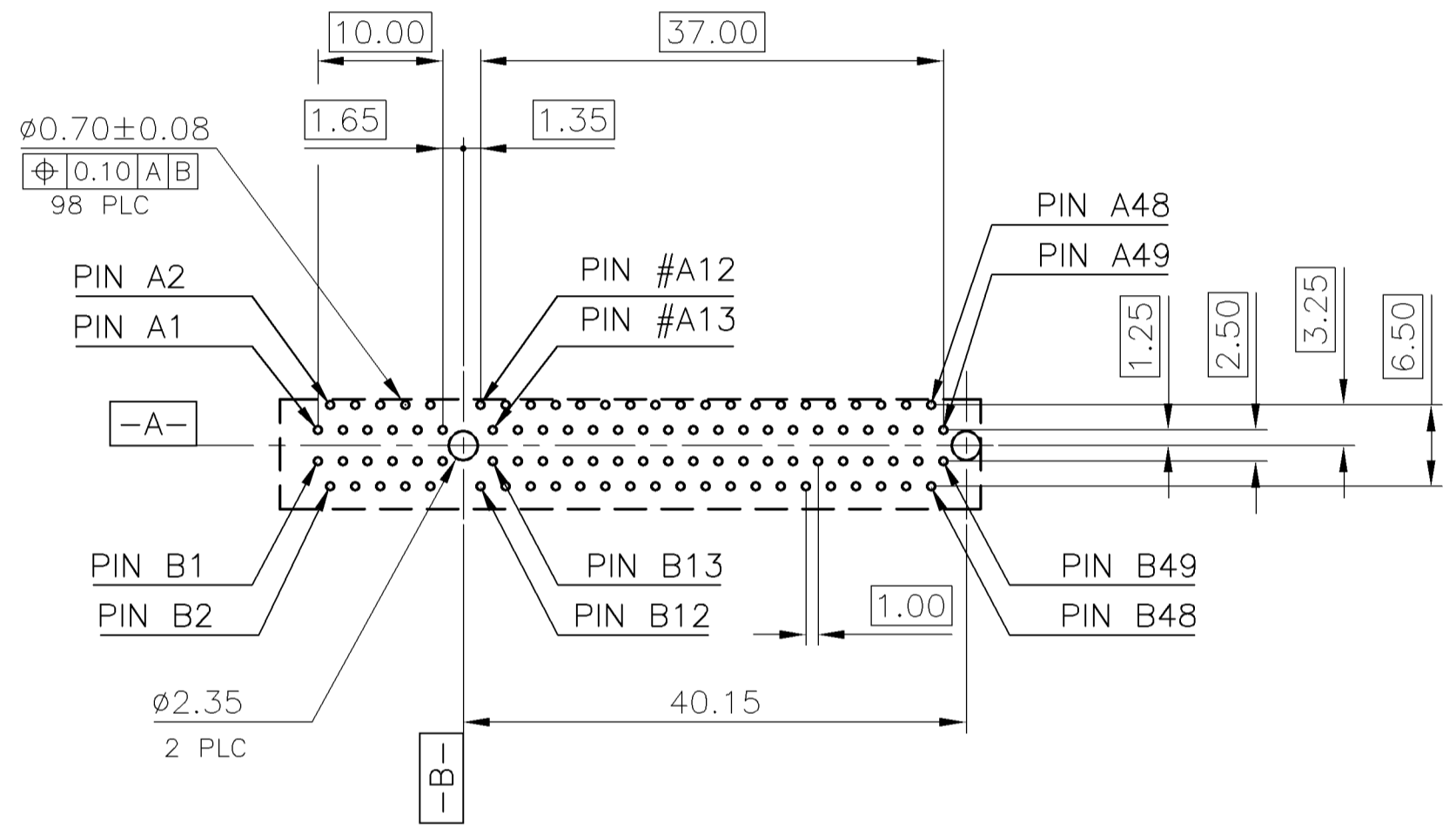
THIS DRAWING IS UNPUBLISHED. RELEASED FOR PUBLICATION AUG ,2006. ALL RIGHTS RESERVED.

LOC		DIST		REVISIONS					
DW				P	LTR	DESCRIPTION	DATE	DWN	APVD
						SEE SHEET 1.			

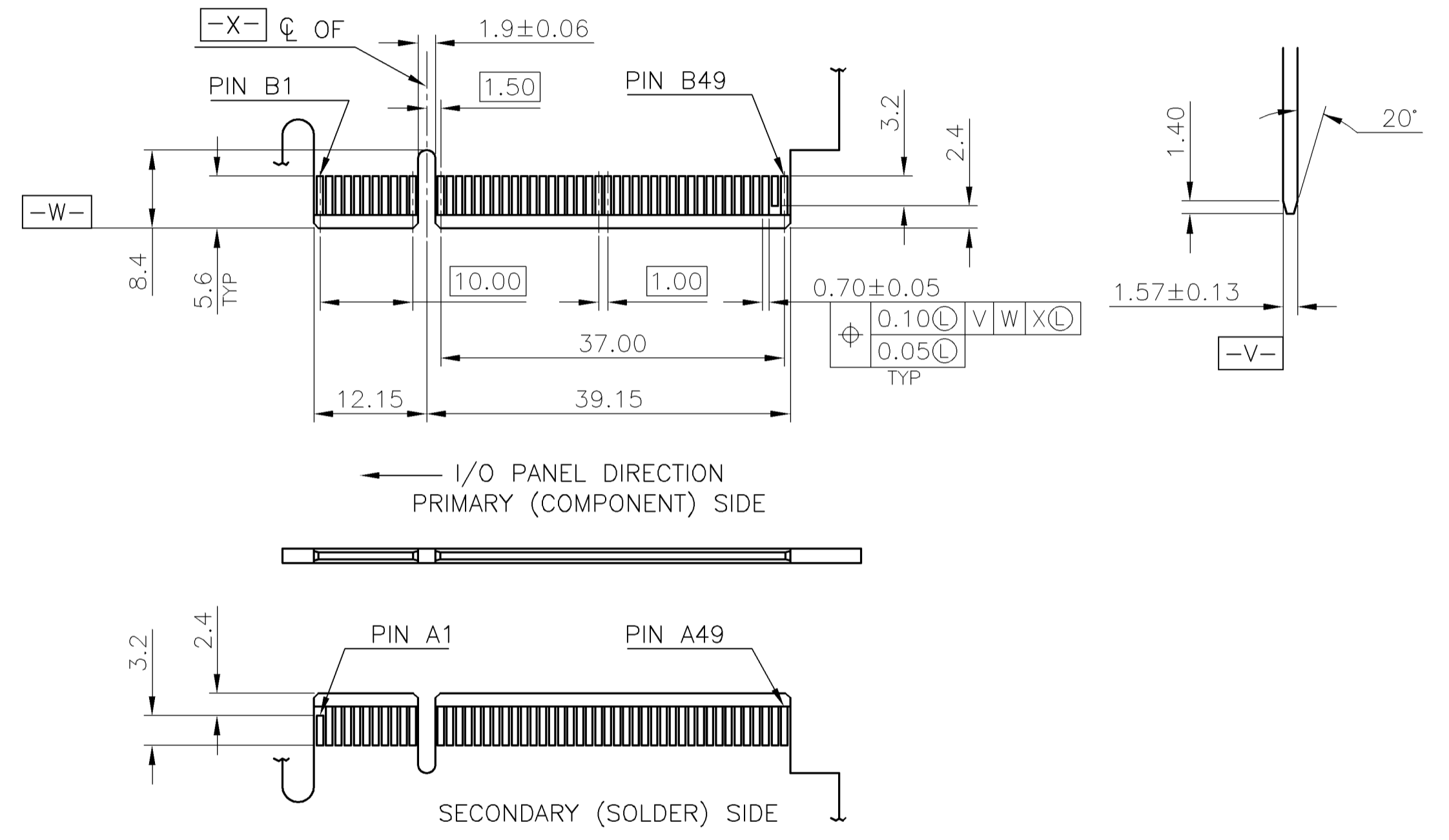
98POS

ADD-IN CARD EDGE-FINGER DIMENSIONS

NOTES:
CHAMFER EDGE MUST BE FREE OF CUTTING BURRS



RECOMMENDED PCB LAYOUT
TOLERANCE: ±0.05
(APPLY TO P.C.B THICKNESS: 2.36mm)



THIS DRAWING IS A CONTROLLED DOCUMENT.		DWN		TE Connectivity			
DIMENSIONS: MM		CHK				NAME	
TOLERANCES UNLESS OTHERWISE SPECIFIED:		APVD				PCI EXPRESS CARD EDGE CONNECTOR VERTICAL, DIP TYPE	
0 PLC ± - 1 PLC ± 0.3 2 PLC ± 0.2 3 PLC ± 0.15 4 PLC ± - ANGLES ± 3°		PRODUCT SPEC				SIZE	
MATERIAL		APPLICATION SPEC		CAGE CODE			
FINISH		WEIGHT		DRAWING NO			
		CUSTOMER DRAWING		A300779			
		SCALE		RESTRICTED TO			
		SHEET		C=2041354			
		REV		3 OF 5			
				A1			

THIS DRAWING IS UNPUBLISHED.

RELEASED FOR PUBLICATION

AUG ,2006.

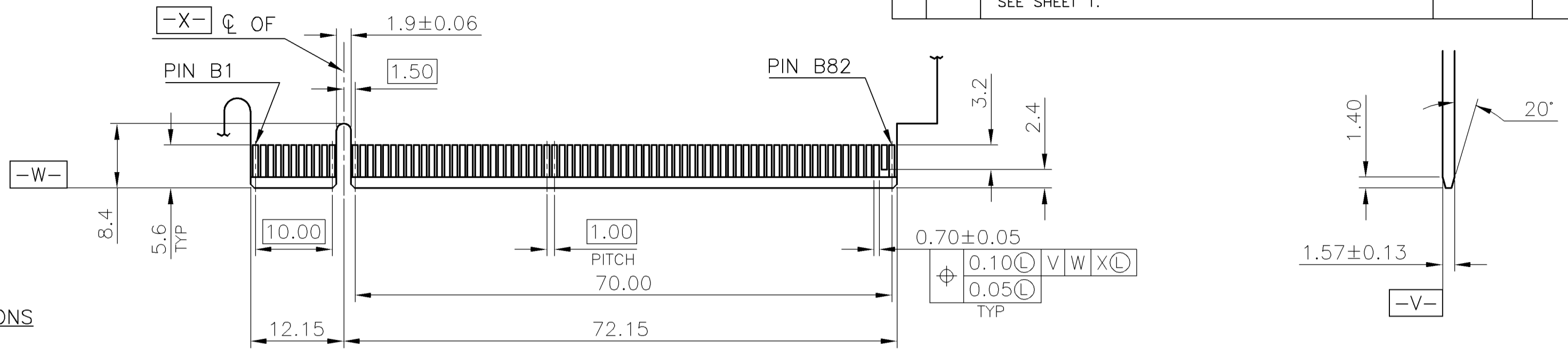
© COPYRIGHT BY TYCO ELECTRONICS CORPORATION. ALL RIGHTS RESERVED.

LOC DW DIST

REVISIONS

P	LTR	DESCRIPTION	DATE	DWN	APVD
		SEE SHEET 1.			

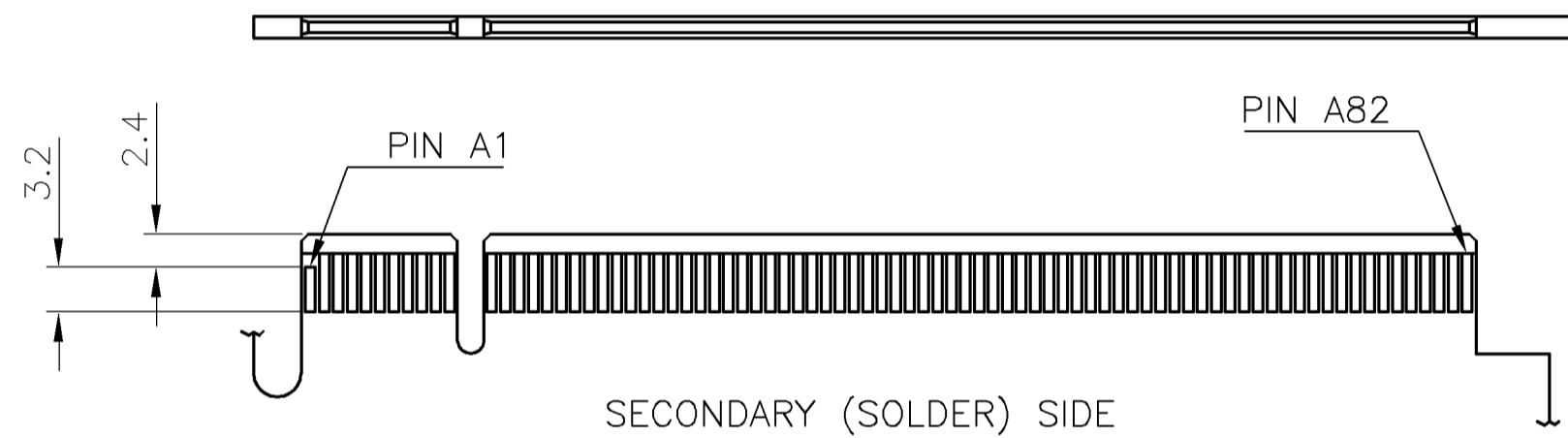
164POS



ADD-IN CARD EDGE-FINGER DIMENSIONS

NOTES:
CHAMFER EDGE MUST BE FREE OF CUTTING BURRS

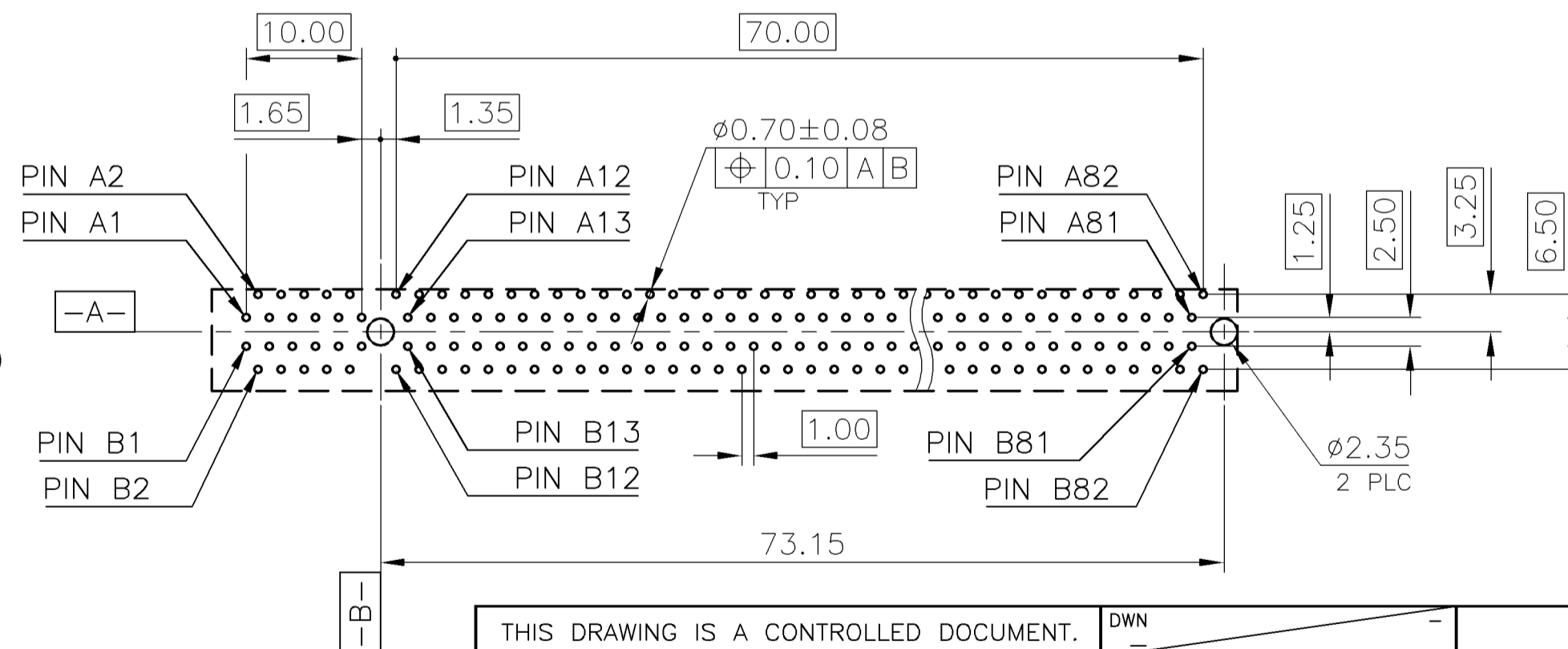
I/O PANEL DIRECTION
PRIMARY (COMPONENT) SIDE



SECONDARY (SOLDER) SIDE

RECOMMENDED PCB LAYOUT

TOLERANCE: ±0.05
(APPLY TO P.C.B THICKNESS: 2.36mm)



THIS DRAWING IS A CONTROLLED DOCUMENT.

DIMENSIONS:	TOLERANCES UNLESS OTHERWISE SPECIFIED:
MM	
0 PLC	± -
1 PLC	± 0.3
2 PLC	± 0.2
3 PLC	± 0.15
4 PLC	± -
ANGLES	± 3°
MATERIAL	FINISH

DWN	-
CHK	-
APVD	-
PRODUCT SPEC	-
APPLICATION SPEC	-
WEIGHT	-
CUSTOMER DRAWING	-



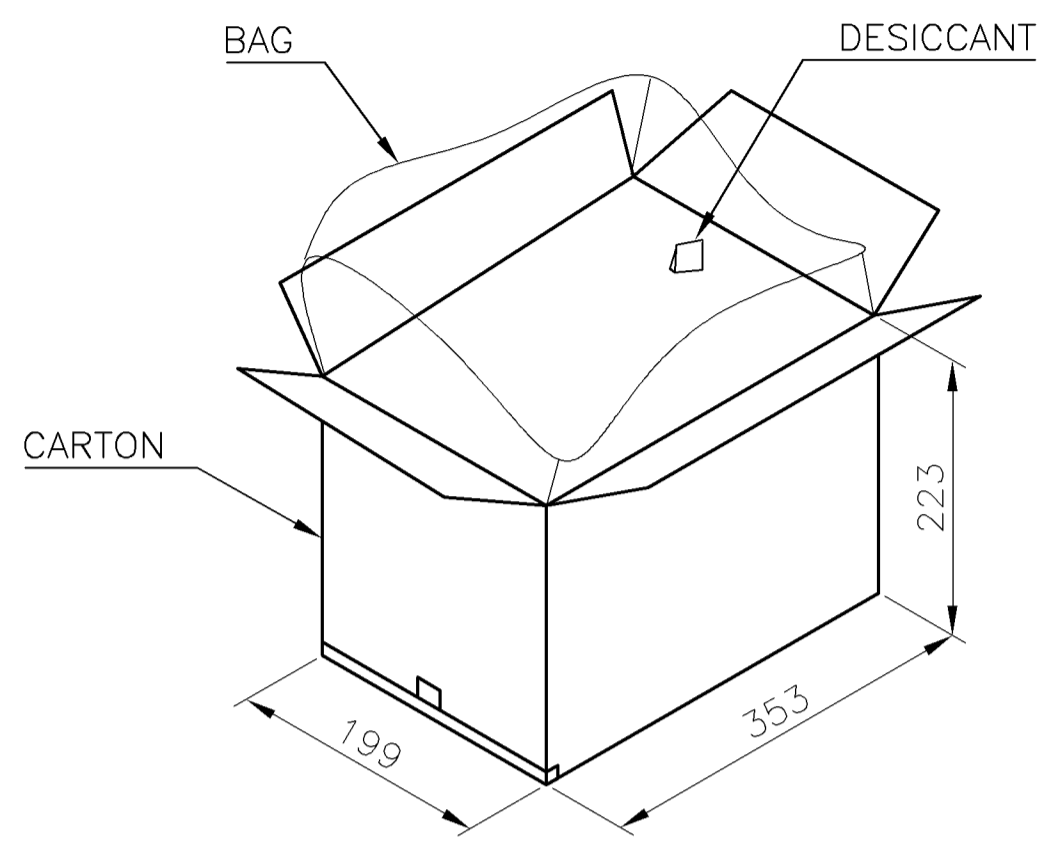
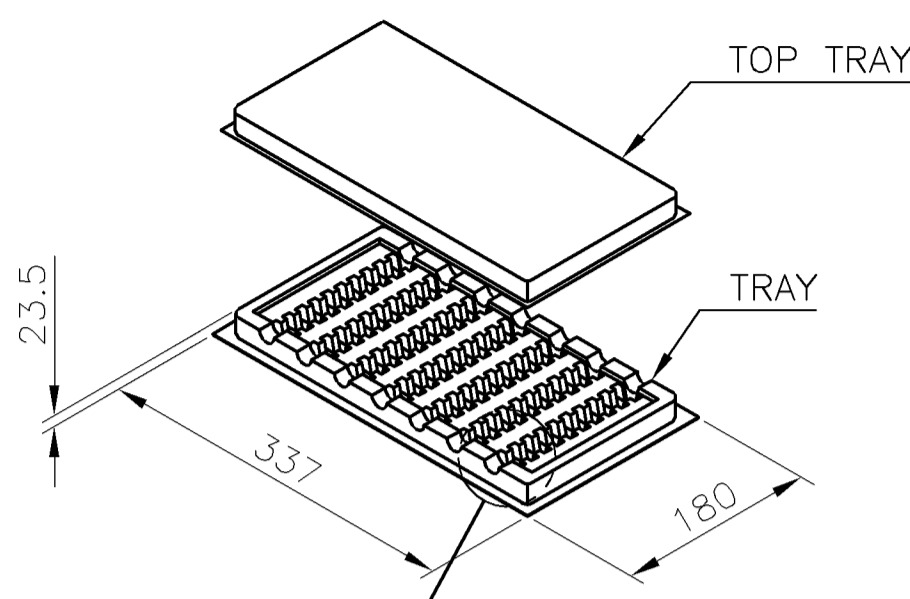
PCI EXPRESS CARD EDGE CONNECTOR
VERTICAL, DIP TYPE

SIZE	CAGE CODE	DRAWING NO	RESTRICTED TO
A3	00779	C=2041354	-

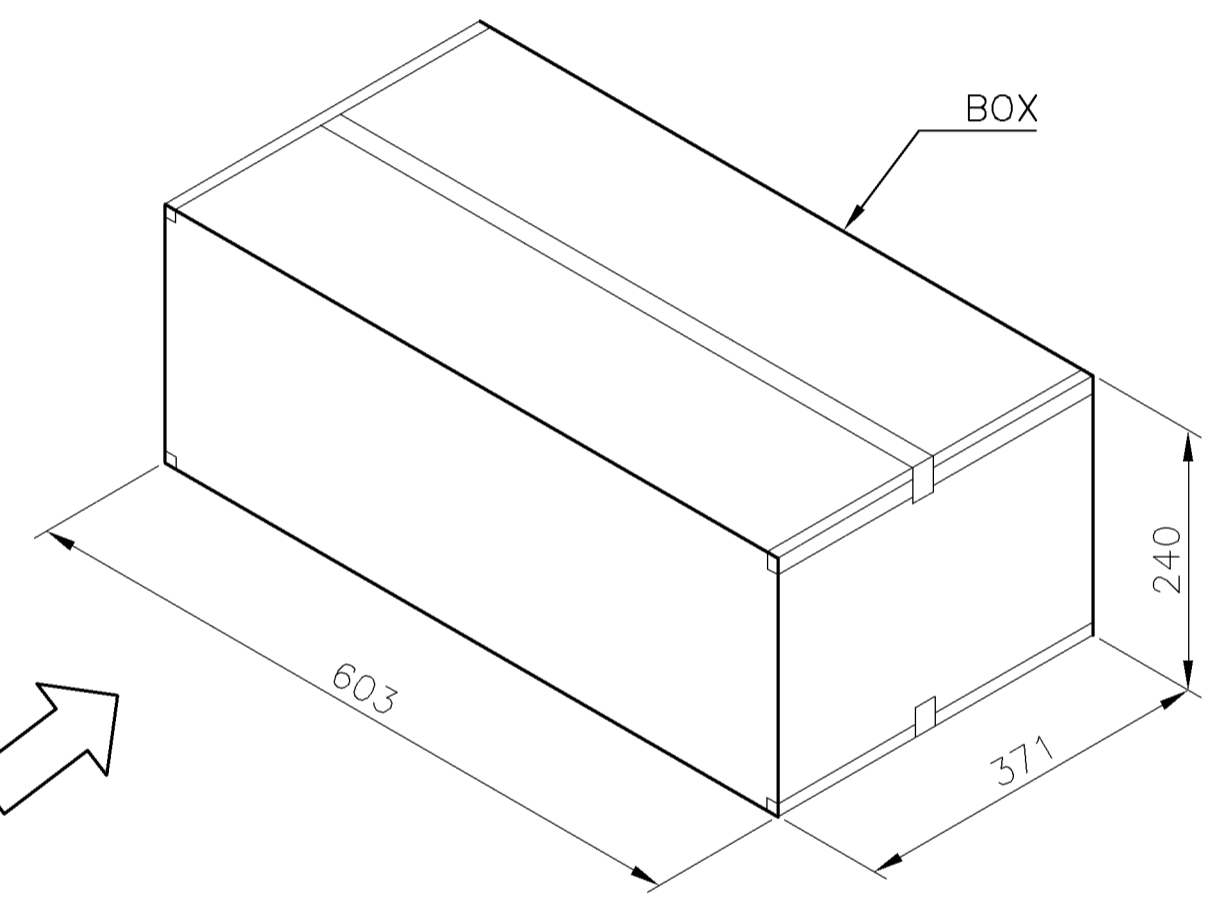
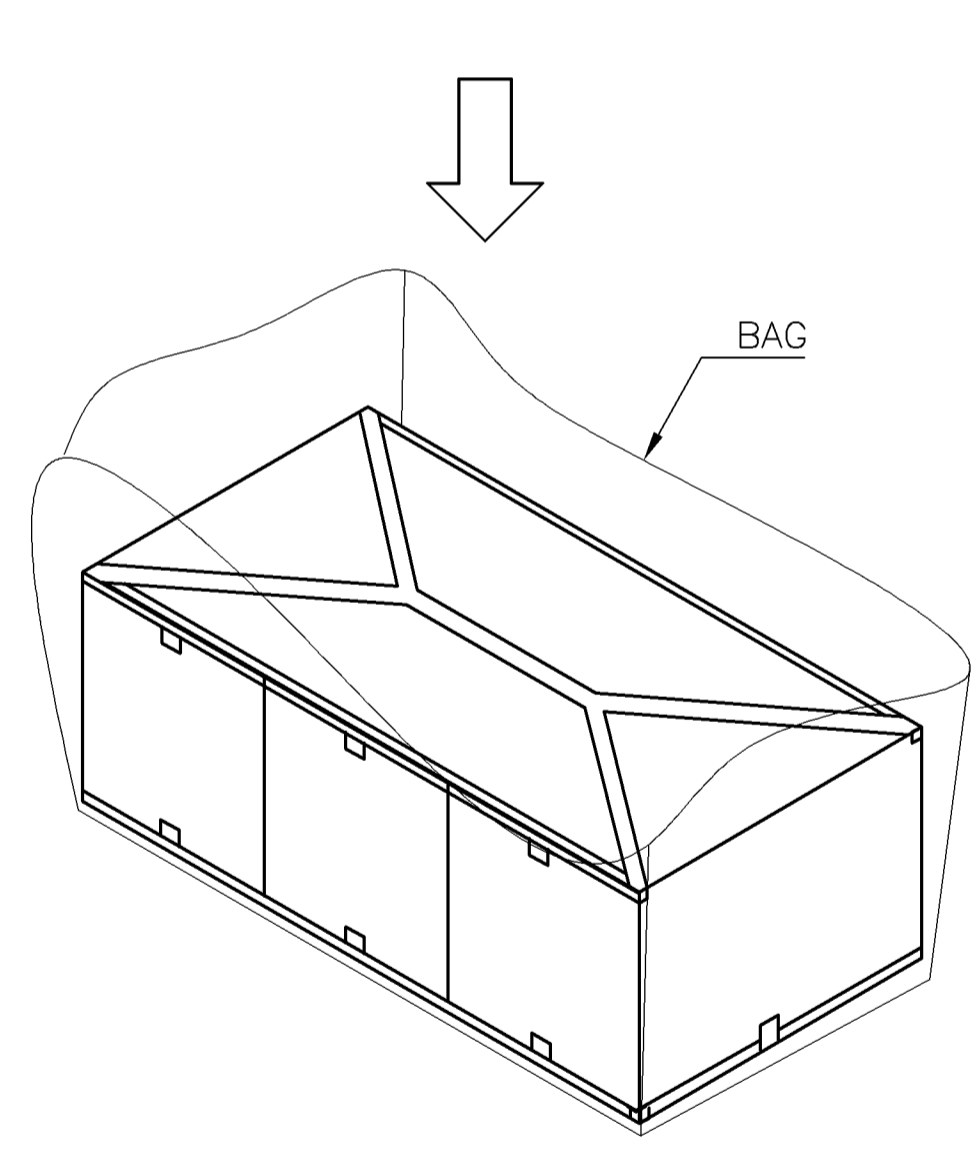
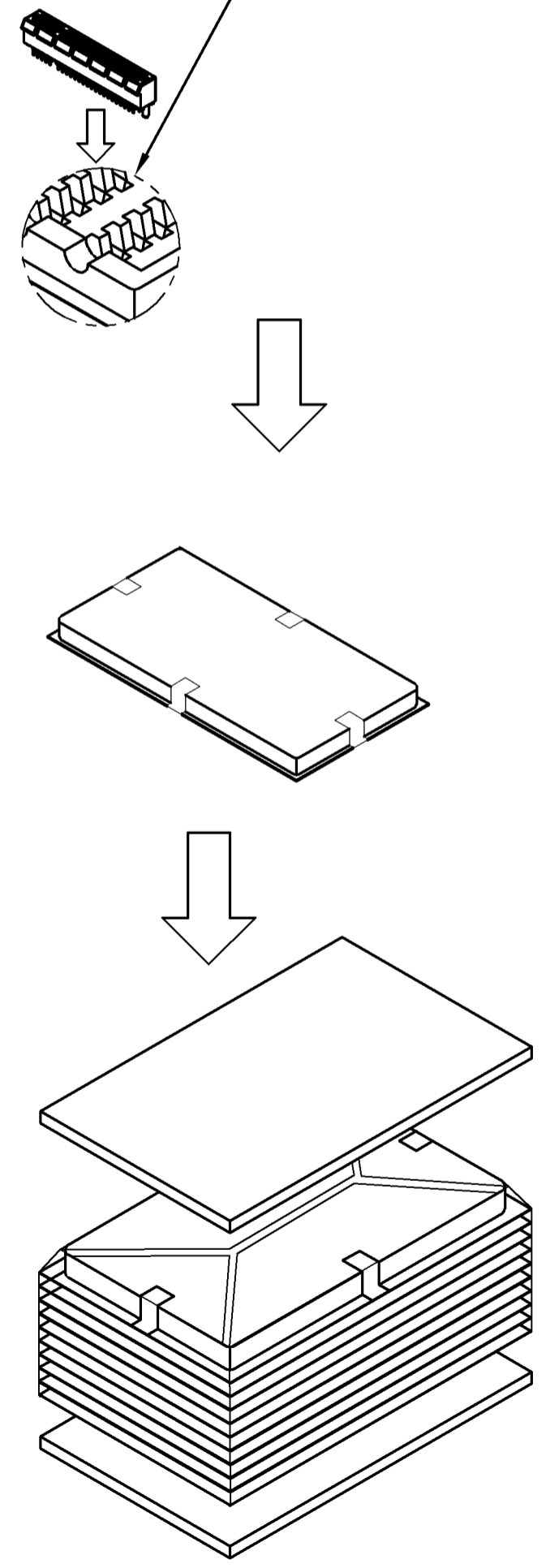
SCALE	SHEET	REV
-	4 OF 5	A1

LOC DW DIST

REVISIONS				
P	LTR	DESCRIPTION	DATE	APVD
		SEE SHEET 1.		



- NOTES :
- MATERIAL :
 TRAY : PVC, COLOR: TRANSPARENT.
 CARTON: CORRUGATED FIBER
 BOX: CORRUGATED FIBER
 - DIMENSION :
 TRAY: SEE DRAWING
 CARTON: SEE DRAWING
 BOX : SEE DRAWING
 - QUANTITY : SEE TABLE
 - WEIGHT : SEE TABLE



10.2 Kg	8.2 Kg	30	10	3	900	164
9.0 Kg	7.0 Kg	40	10	3	1200	98
8.5 Kg	6.5 Kg	60	10	3	1800	64
GROSS WEIGHT	NET WEIGHT	PCS/ TRAY	TRAY/ CARTON	CARTON/ BOX	PCS/ BOX	POS.

THIS DRAWING IS A CONTROLLED DOCUMENT.

DIMENSIONS: MM	TOLERANCES UNLESS OTHERWISE SPECIFIED: 0 PLC ± - 1 PLC ± 0.3 2 PLC ± 0.2 3 PLC ± 0.15 4 PLC ± - ANGLES ± 3°	DWN - CHK - APVD - PRODUCT SPEC - APPLICATION SPEC - WEIGHT -	TE Connectivity NAME PCI EXPRESS CARD EDGE CONNECTOR VERTICAL, DIP TYPE			
MATERIAL	FINISH	CUSTOMER DRAWING	SIZE A3	CAGE CODE 00779	DRAWING NO C=2041354	RESTRICTED TO -
			SCALE -	SHEET 5 OF 5	REV A1	