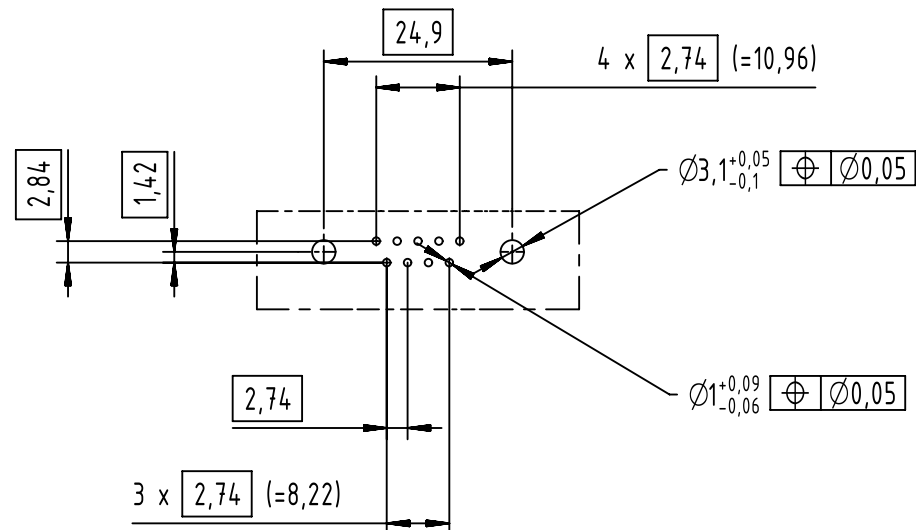
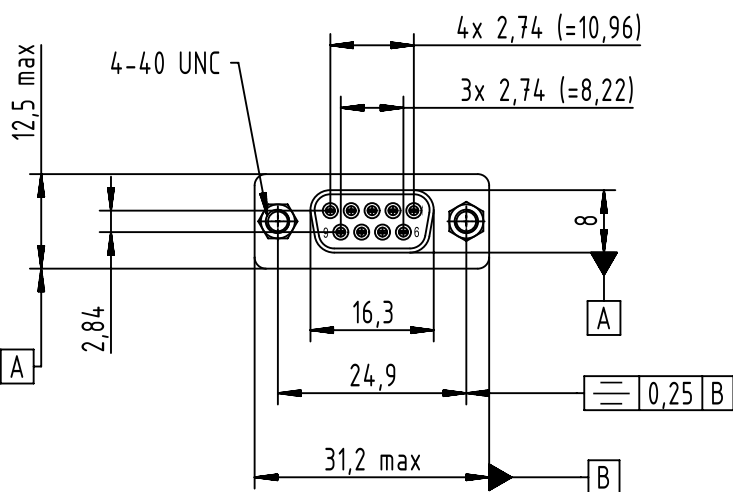


PC-Board layout  
view component side  
thickness up to 3,2 mm



All Dimensions in mm Original Size DIN A4		Scale 1:1	Free size tol.		Ref.
All rights reserved Department EC PD - FR		Created by LAVERGNEC	Inspected by BAGDIKIAN	Standardisation HOFFMANN	Sub.
HARTING Electronics GmbH D-32339 Espelkamp		Title D-Sub 9-pole straight female press-in			Date 2014-04-02
Part number Performance level		Type TB			State Final Release
09661547513      3      6      4,20		Number 0966154X513			Doc-Key / ECM-Nr. 100571936/UGD/001/A 500000072779
09661546513      2      6      4,20		Rev. A			Page 1/1
09661545513      S4 PdNi      6      4,20					
A +/- 0,2      B +/- 0,2					