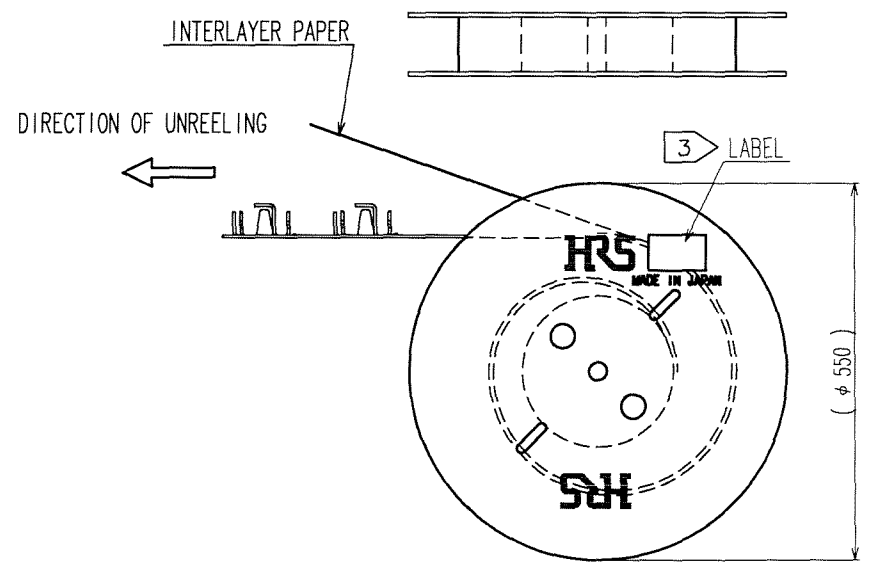
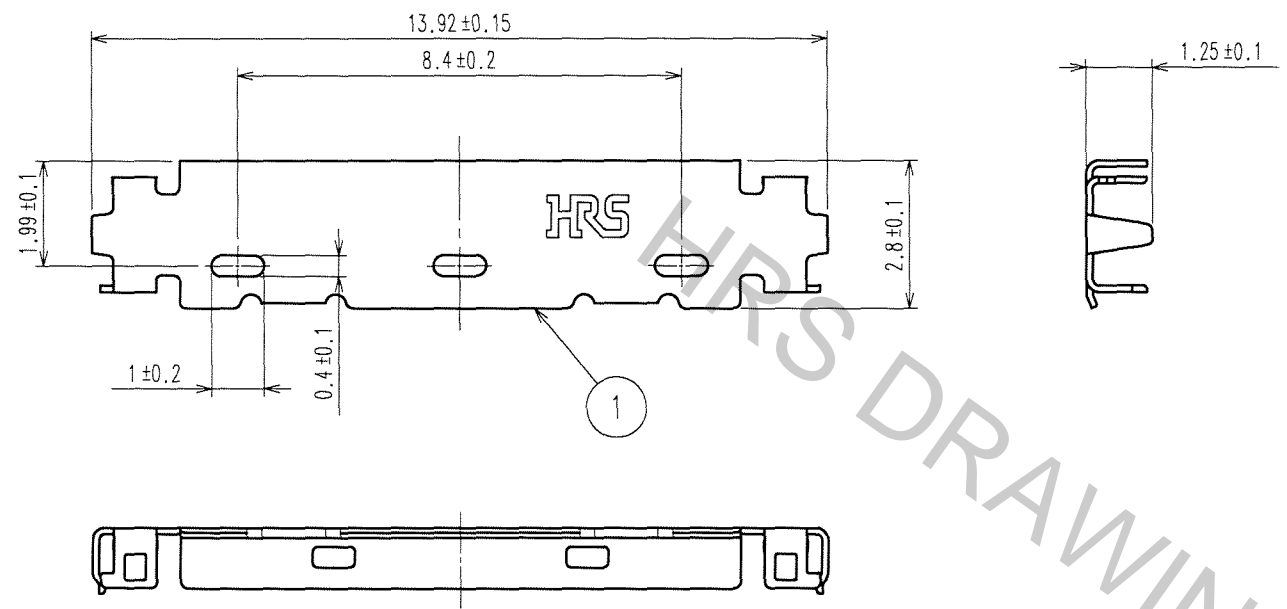


Apr.1.2017 Copyright 2017 HIROSE ELECTRIC CO., LTD. All Rights Reserved.

COUNT	DESCRIPTION OF REVISIONS	BY	CHKD	DATE	COUNT	DESCRIPTION OF REVISIONS	BY	CHKD	DATE

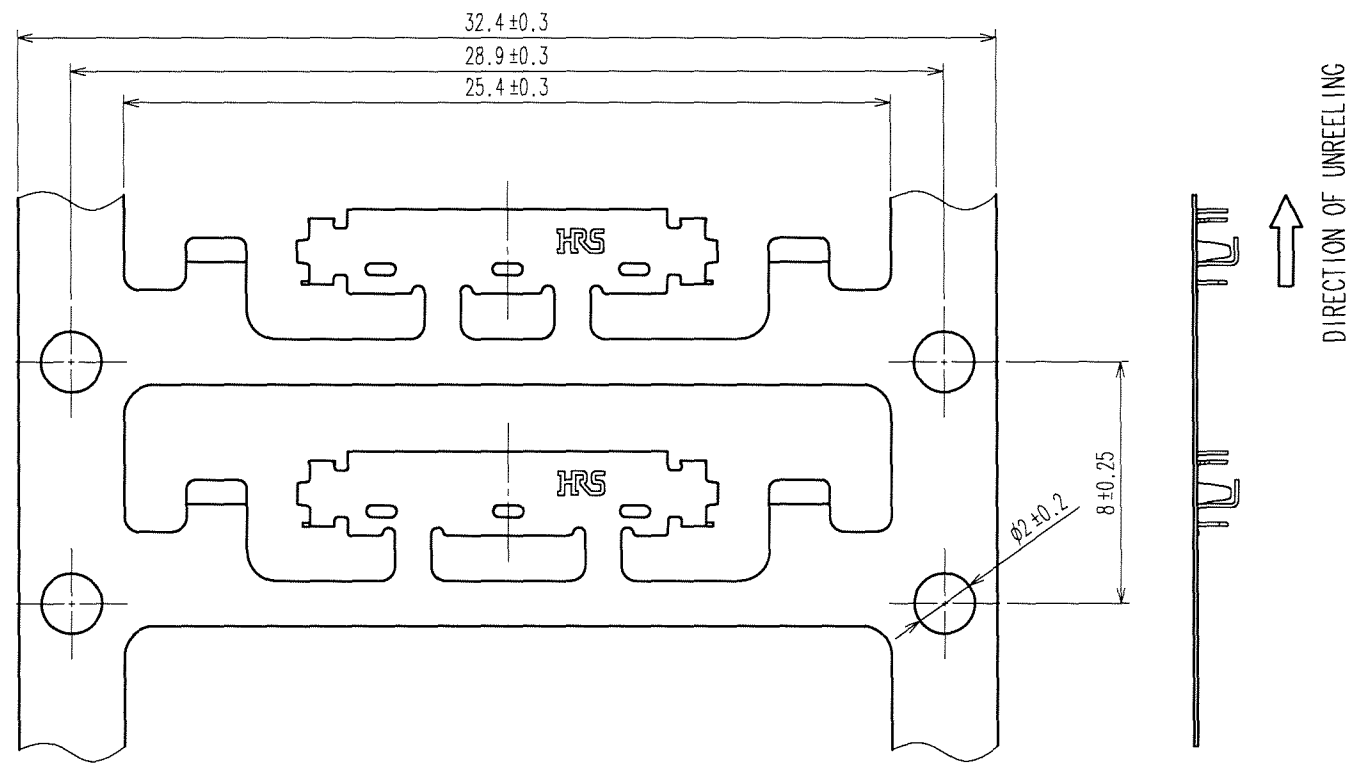
REEL STATE DRAWING(FREE)



NOTES 1.PER REEL: 10000 COMPARTMENTS
 2.THE ASSEMBLY IS COMPLETED BY COMBINING TWO PARTS「CONNECTOR UNIT, AND METAL SHIELDING」.
 REFER TO THE TABLE FOR EACH ITEM No, PART NAME, PART No AND CODE No.

ITEM No.	PART NAME	PART No.	CODE No.
-	CONNECTOR UNIT	DF36-25P-0.4SD	CL662-4006-4
1	METAL SHIELDING	DF36A-25P-SHL	CL662-4007-7

CAREER STATE DRAWING(4:1)



3 LABEL DETAILS

HRS		INSPECTION 検査
CODE No. 品名コード	CL 662-4007-7	
PART NO. 品名	DF36A-25P-SHL	
QTY 数量	10,000 PCS	
PECULIAR 仕様		
Lot No		
SPLICE 継ぎ目		

NO.	MATERIAL	FINISH, REMARKS	NO.	MATERIAL	FINISH, REMARKS
1	PHOSPHOR BRONZE	WHOLE AREA : Sn PLATING 1μm min UNDER PLATING : Cu PLATING 0.2μm min			

CODE NO. (OLD)		DRAWN	DESIGNED	CHECKED	APPROVED	RELEASED
		<i>M. Kenjo</i>	<i>M. Kenjo</i>	<i>T. Sakata</i>	<i>T. Ono</i>	
		07.01.09	07.01.09	07.01.11	07.01.11	
DRAWING NO. EDC3-312854			PART NO. DF36A-25P-SHL			
SCALE FREE			CODE NO. CL662-4007-7			
UNITS mm			HRS HIROSE ELECTRIC CO., LTD			

TO