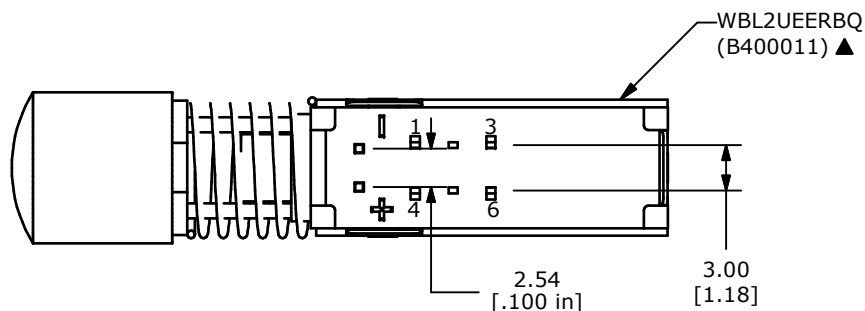
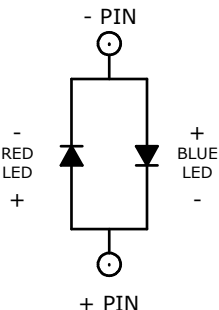
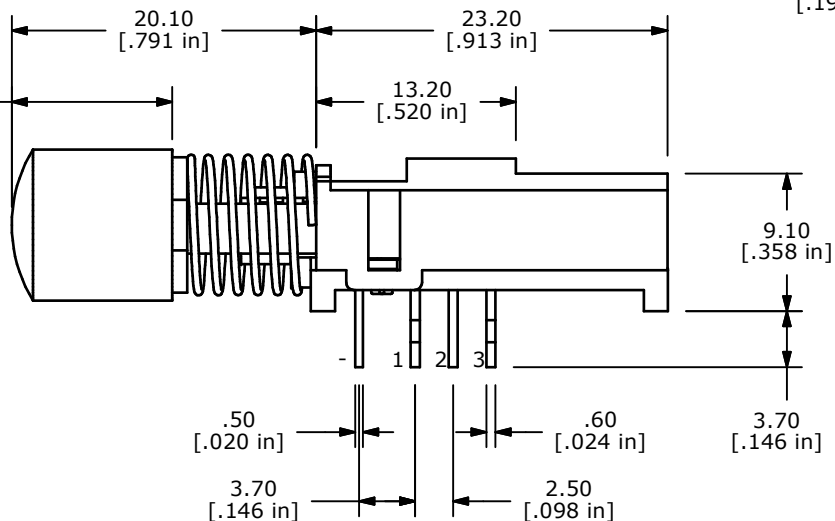
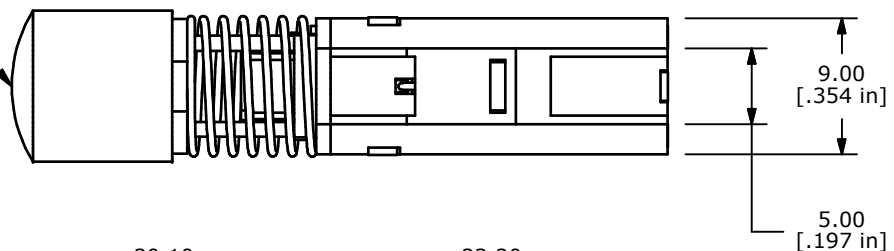


▲R05 BUTTON  
TRANSPARENT  
(B410000)



WBL2UEERBQ  
(B400011) ▲

NOTES:

1. ALL DIMENSIONS IN MM [INCH]
2. GENERAL TOLERANCE: x.x=± 0.4mm  
x.xx=± 0.25mm
3. RATING: DC 30V, 0.3A
4. OPERATING FORCE: 200± 100gf
5. TRAVEL: FULL: 3.3mm, LOCK: 2.5mm
6. LIFE CYCLES: 10,000 CYCLES
7. OPERATING TEMPERATURE: -20°C TO 70°C
8. CONTACT RESISTANCE: 20mΩ MAX.
9. INSULATION RESISTANCE: 100MΩ MIN@ 500VDC.
- ▲ 10. LED COLOR: RED/BLUE
11. ▲DENOTES CRITICAL PARAMETER.
12. 2002/95/EC (RoHS) COMPLIANT.

LED SPECS	UNITS	RED	BLUE
FORWARD CURRENT	mA	20	20
FORWARD VOLTAGE @20mA	V	1.95 Typ-2.5 Max	3.3 Typ-4 Max
LUMINOUS INTENSITY @ 20mA	MCD	400 TYP	60 TYP



TITLE WBL2UEERBQR05CLR

A	20616	INITIAL RELEASE	05/22/12	drg
REV	PCR NO	DESCRIPTION	DATE	BY
<small>THE INFORMATION CONTAINED IN THIS DOCUMENT IS PROPRIETARY TO E-SWITCH AND IS NOT TO BE COPIED OR TRANSFERRED</small>				

DATE	DR	DWG	REV
5/22/2012	drg	XB0933P	A