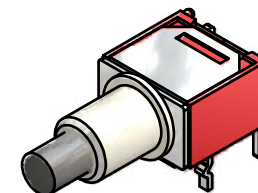
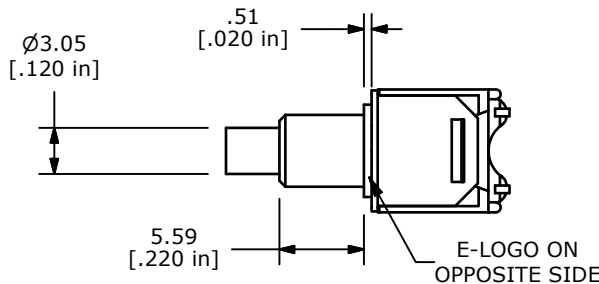
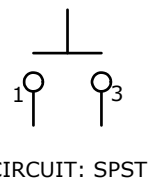


P.C. MOUNTING

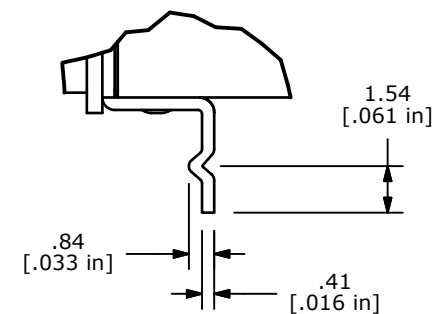
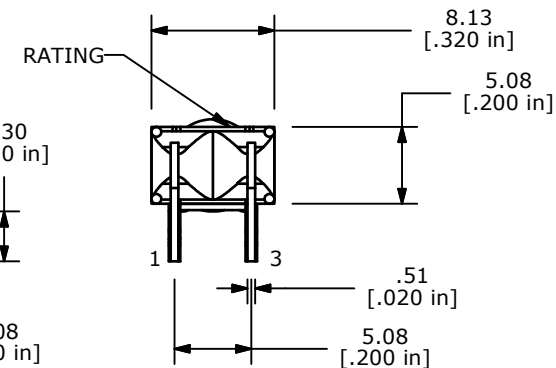
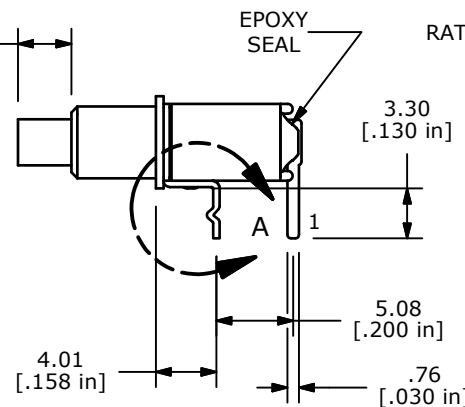
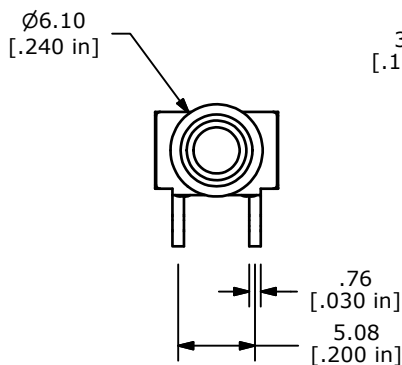


SWITCH FUNCTION	
POS. 1	POS. 2
OFF	(ON)
OPEN	1-3

(ON)=MOMENTARY



CIRCUIT: SPST



DETAIL A
SCALE 4 : 1

- NOTE:
- ALL DIMENSIONS IN MM [INCH]
 - GENERAL TOLERANCE: X.X=±0.4
X.XX=±0.25
 - TERMINAL NUMBERS FOR REF ONLY
 - CONTACT MATERIAL: COPPER ALLOY W/ GOLD PLATE OVER NICKEL PLATE
 - RATING: 0.4VA @ 20V AC OR DC MAX.
 - MECHANICAL LIFE: 50,000 MAKE-AND-BREAK CYCLES
 - CONTACT RESISTANCE: 20 mΩ MAX. INITIAL @ 2-4VDC
100mA FOR BOTH GOLD AND SILVER CONTACTS
 - INSULATION RESISTANCE: 1,000 MEGA-OHM MIN.
 - ELECTRIC STRENGTH: 1,000 V RMS @SEA LEVEL.
 - OPERATING TEMP.: -30°C to 85°C
 - ▲ DENOTES CRITICAL PARAMETER.
 - 2002/95/EC (ROHS) COMPLIANT



TITLE 800SP9B7M61RE				
SCALE 2:1	DATE 6/28/2011	DR BMA	DWG T811017	REV C

C	20034	UPDATE DRAWING AND CONVERT	06/28/11	BMA
REV	PCR NO	DESCRIPTION	DATE	BY

THE INFORMATION CONTAINED IN THIS DOCUMENT IS PROPRIETARY TO E-SWITCH AND IS NOT TO BE COPIED OR TRANSFERRED