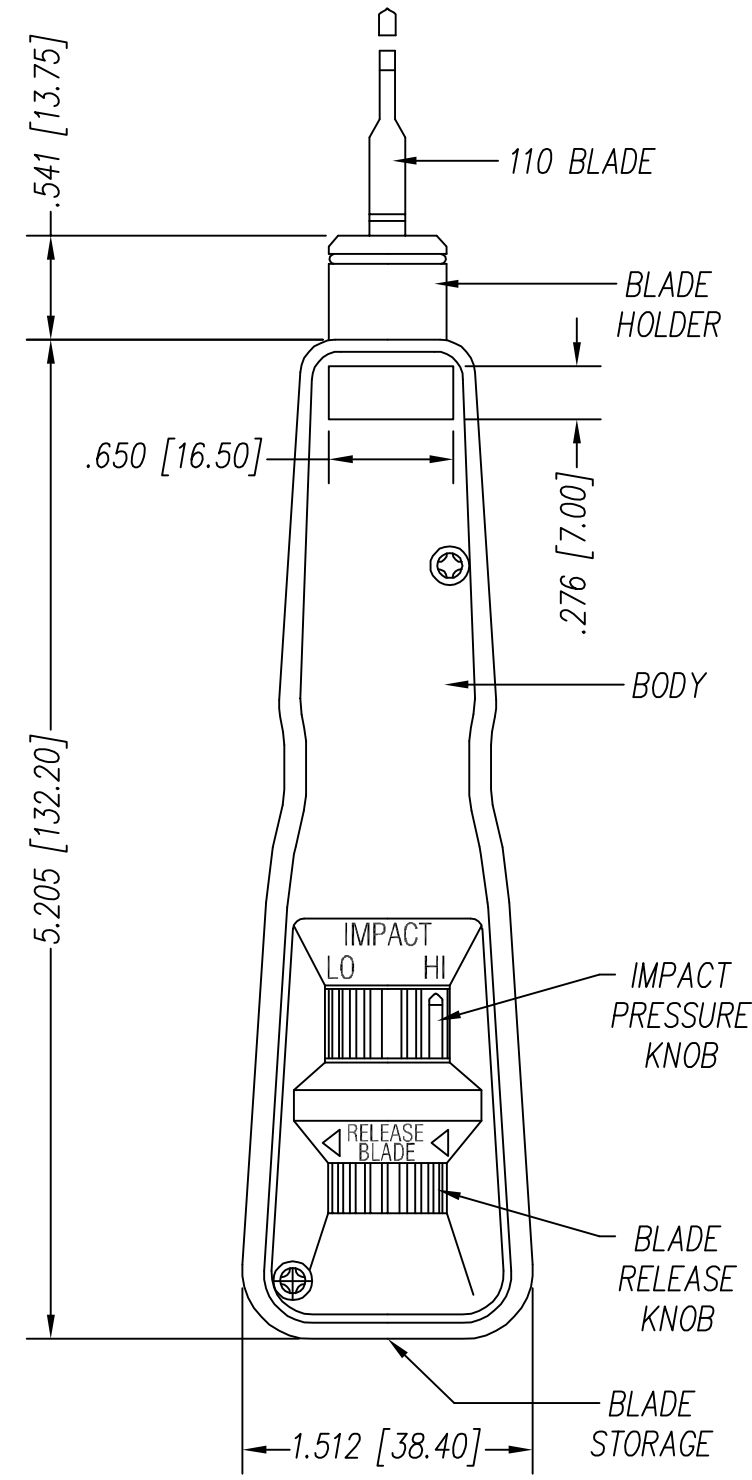


DATE	REV	ECN	APP'D. BY
3-9-17	A0	-	-



NOTES:  
 LENGTH: 6.7" [171±3mm]  
 WEIGHT: 140G  
 MATERIAL-  
 BODY: ABS RESIN  
 BLADE: SAE 4140 STEEL

2940260-01  
 PART NUMBER

THIRD ANGLE PROJECTION 	 stewart CONNECTOR a bel group	1118 Susquehanna Trail South Glen Rock, PA 17327-9199 (717) 235-7512 <a href="http://www.stewartconnector.com">http://www.stewartconnector.com</a>
DO NOT SCALE DRAWING DRAWING IS SUBJECT TO CHANGE WITHOUT NOTICE	TITLE: PUNCH DOWN TOOL 1110-T4 (Q2615)	
DIMENSIONS: INCHES [METRIC] UNLESS OTHERWISE SPECIFIED TOLERANCES ARE ±.005 [0.13] ANGLES ARE ± 1°	THIS DRAWING AND THE SUBJECT MATTER SHOWN THEREON ARE CONFIDENTIAL AND THE PROPRIETARY PROPERTY OF STEWART CONNECTOR AND SHALL NOT BE REPRODUCED, COPIED, OR USED IN ANY MANNER WITHOUT PRIOR WRITTEN CONSENT OF STEWART CONNECTOR. THE SUBJECT MATTER MAY BE PATENTED OR A PATENT MAY BE PENDING.	DRN BY: TRM      DATE 3-9-17 APPD BY: DHG      DATE 3-9-17 DWG NO. CT290005      REV. A0
SHEET NO. 1 OF 1		