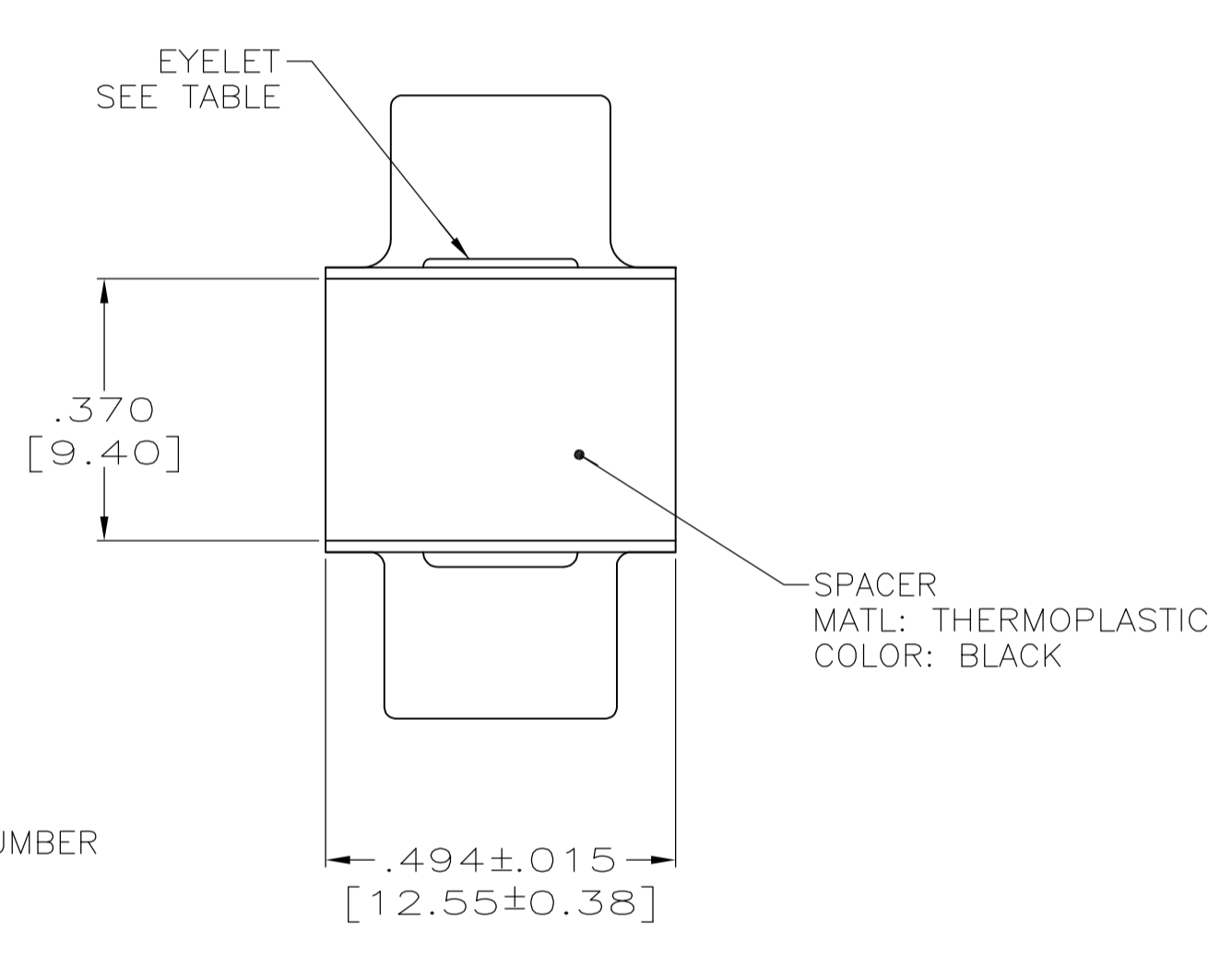
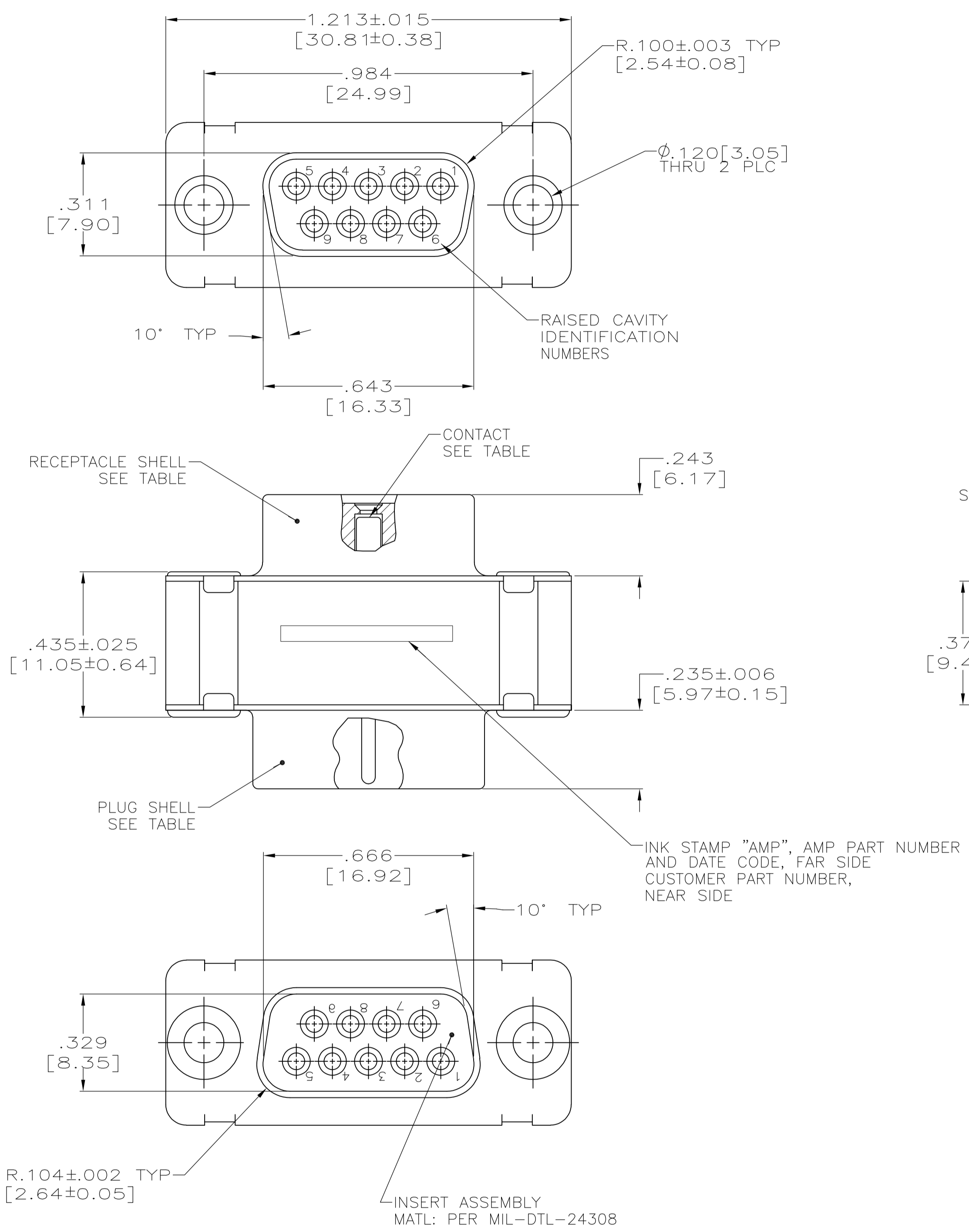
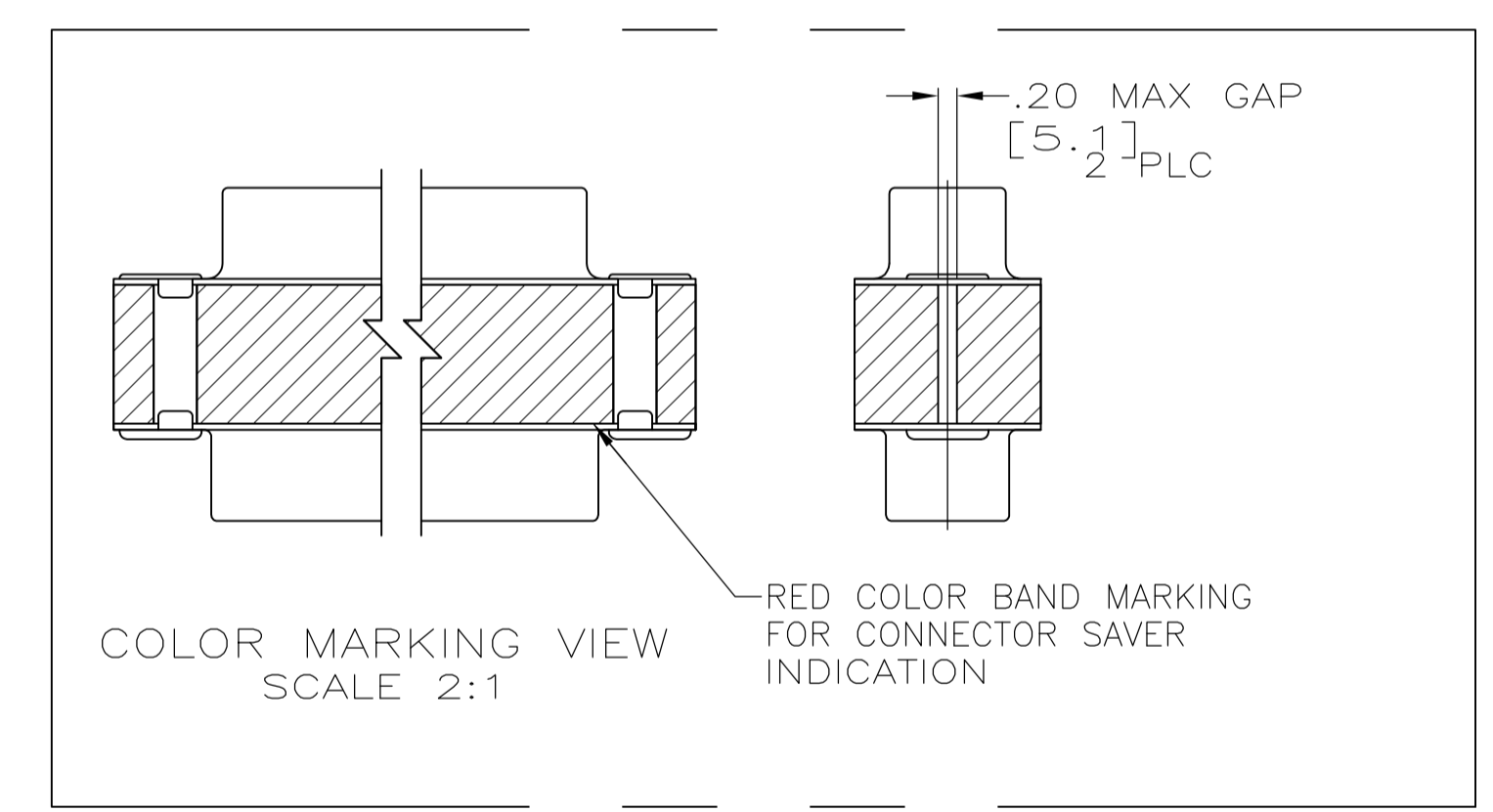


LOC		DIST		REVISIONS			
P	LTR	DESCRIPTION	DATE	DMN	APVD		
F		REV PER ECO-15-005911	20MAY15	KG	DM		



1. CONTACTS INCLUDED IN ASSEMBLY.
- △ CONTACT
 BODY MATL: BERYLLIUM COPPER PER ASTM-B-197.
 BODY FINISH: PLATED GOLD, .000050 MIN THK PER MIL-G-45204 OVER NICKEL, .000050 MIN THK PER QQ-N-290.
 HOOD MATL: STAINLESS STEEL PER ASTM-A-167.
 HOOD FINISH: PASSIVATED PER ASTM-A-380
 - △ MATL: BRASS PER ASTM-B-36.
 - △ FINISH: PLATED GOLD, .000050 MIN THK PER MIL-G-45204 OVER COPPER, .000100 MIN THK PER MIL-C-14550.



△ 3 △ 4	△ 3 △ 4	△ 2	4U884 SOCN R10002677-0001	1218303-2
△ 3 △ 4	△ 3 △ 4	△ 2	(1J02-001)	1218303-1
EYELET	SHELLS	CONTACT	CUSTOMER P/N	PART NO.
THIS DRAWING IS A CONTROLLED DOCUMENT.		DIN T. THOMPSON 18AUG98	TE Connectivity AMPLIMITE CONNECTOR SAVER SERIES 109, SIZE 1, 9 POS NON-REMOVABLE CONTACTS	
DIMENSIONS: INCHES		CHK J. NORTON 18AUG98		
TOLERANCES UNLESS OTHERWISE SPECIFIED:		APVD J. NORTON 18AUG98	NAME	RESTRICTED TO
0 PLC ± - 1 PLC ± - 2 PLC ± - 3 PLC ± .005(0.13) 4 PLC ± - ± - ANGLES ± - ± -		PRODUCT SPEC	APPLICATION SPEC	SIZE CAGE CODE DRAWING NO
MATERIAL	FINISH	WEIGHT	A1 00779 C=1218303	SCALE 4:1 SHEET 1 OF 1 REV F
CUSTOMER DRAWING				