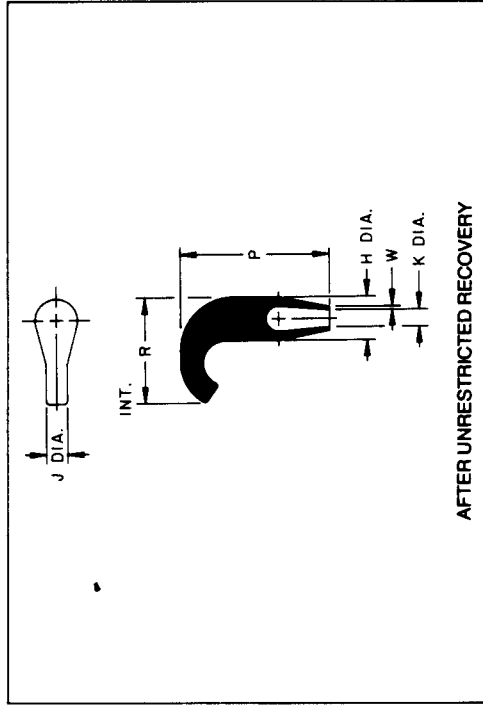
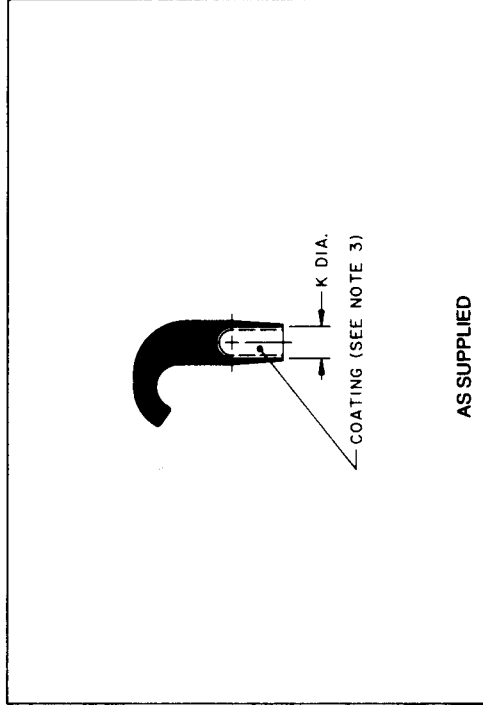


# Thermofit<sup>®</sup> Molded Parts Specification Control Drawing

**Part Number: 102A911**  
**Description: Switch Cover**

**Notes:**

1. All dimensions are in  $\frac{\text{Inches}}{[\text{Millimeters}]}$
2. Dimensions appearing in table are as follows:  
a - as supplied  
b - after unrestricted recovery
3. Coating is optional. As supplied dimensions appearing in table are for uncoated parts. When coating is added, entry diameters will be reduced by .06 max.
4. This part fits MS 24523 switch or equivalent shaped bat handle switch.
5. Standard color is grey. Other colors available upon request.



**Table of Dimensions**

Part Number	H ±10% b	J ±10% b	K		P ±10% b	R ±10% b	W ±10% b	Weight Nom
			Min a	Max b				
102A911	.40 [10,2]	.20 [5,1]	.29 [7,4]	.18 [4,6]	1.35 [34,3]	.96 [24,4]	.03 [0,76]	.007 [3,0]

**Raychem**

Raychem Corporation  
300 Constitution Drive  
Menlo Park, California 94025  
415) 361 6055

Revision: B  
Date: 3-8-90

**Part Number: 102A911**  
**Description: Switch Cover**

# Thermofit® Molded Parts Specification Control Drawing

**Part Number: 102A911**  
**Description: Switch Cover**

Compatibility Chart					
Material Dash No.	Material Description	RT Spec	Coating Slash No.	Coating S No.	Coating Description
-3	Polyolefin, Semi-Rigid	RT-301	/42	S-1017	Adhesive

## Ordering Information:

102A911 - X - XX / XX

Base part number \_\_\_\_\_

Material dash number \_\_\_\_\_  
(see compatibility chart)

Modification number \_\_\_\_\_  
(if necessary, see front of SCD binder  
for a complete modification list)

Adhesive slash number \_\_\_\_\_  
(if necessary, see compatibility chart)

This drawing is subject to change without notice; consult your nearest field representative for current revision.

**Raychem**  
Raychem Corporation  
300 Constitution Drive  
Menlo Park, California 94025  
415) 361 6055

Revision: **B**  
Date: **3-8-90**

**Part Number: 102A911**  
**Description: Switch Cover**