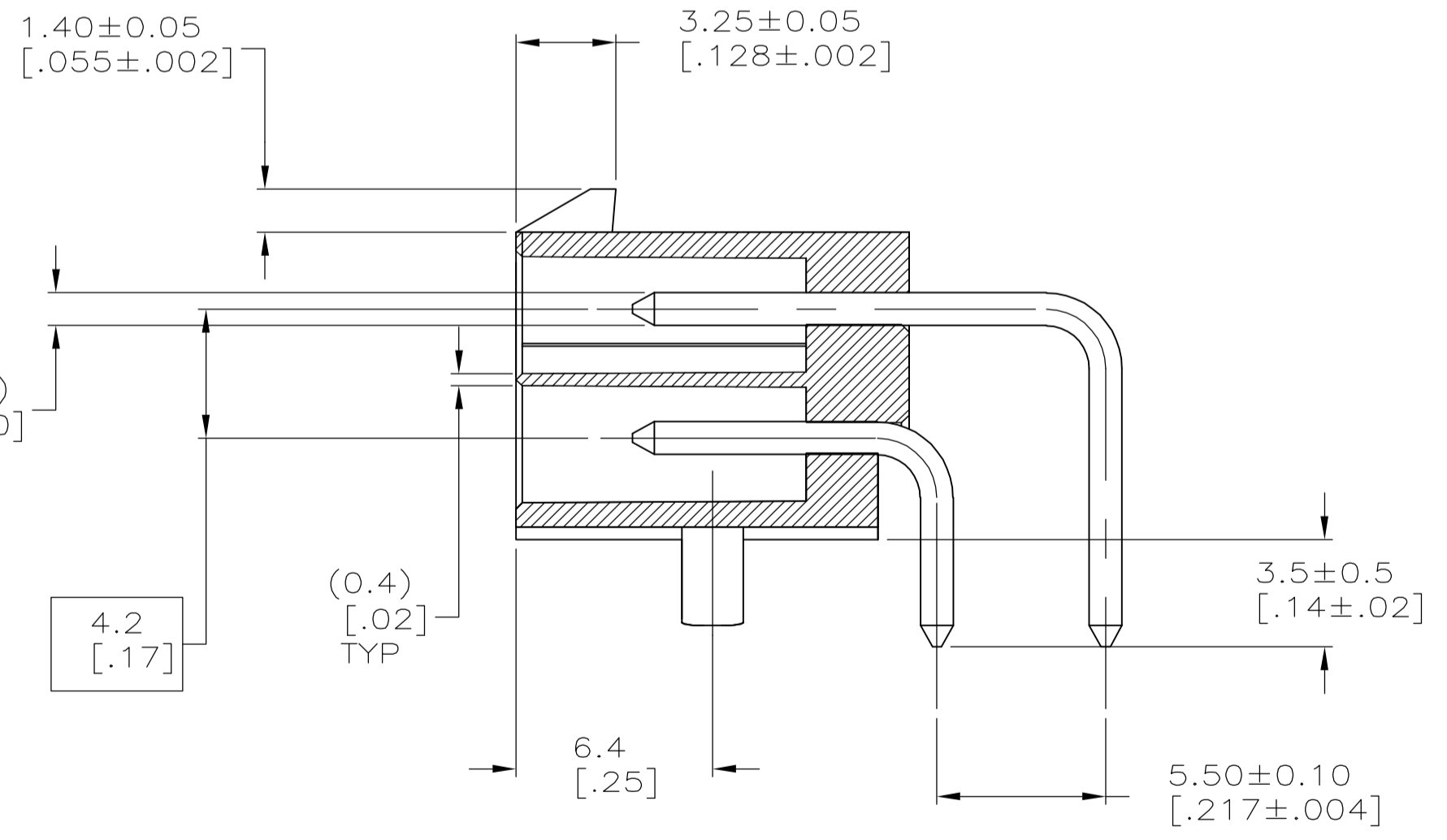
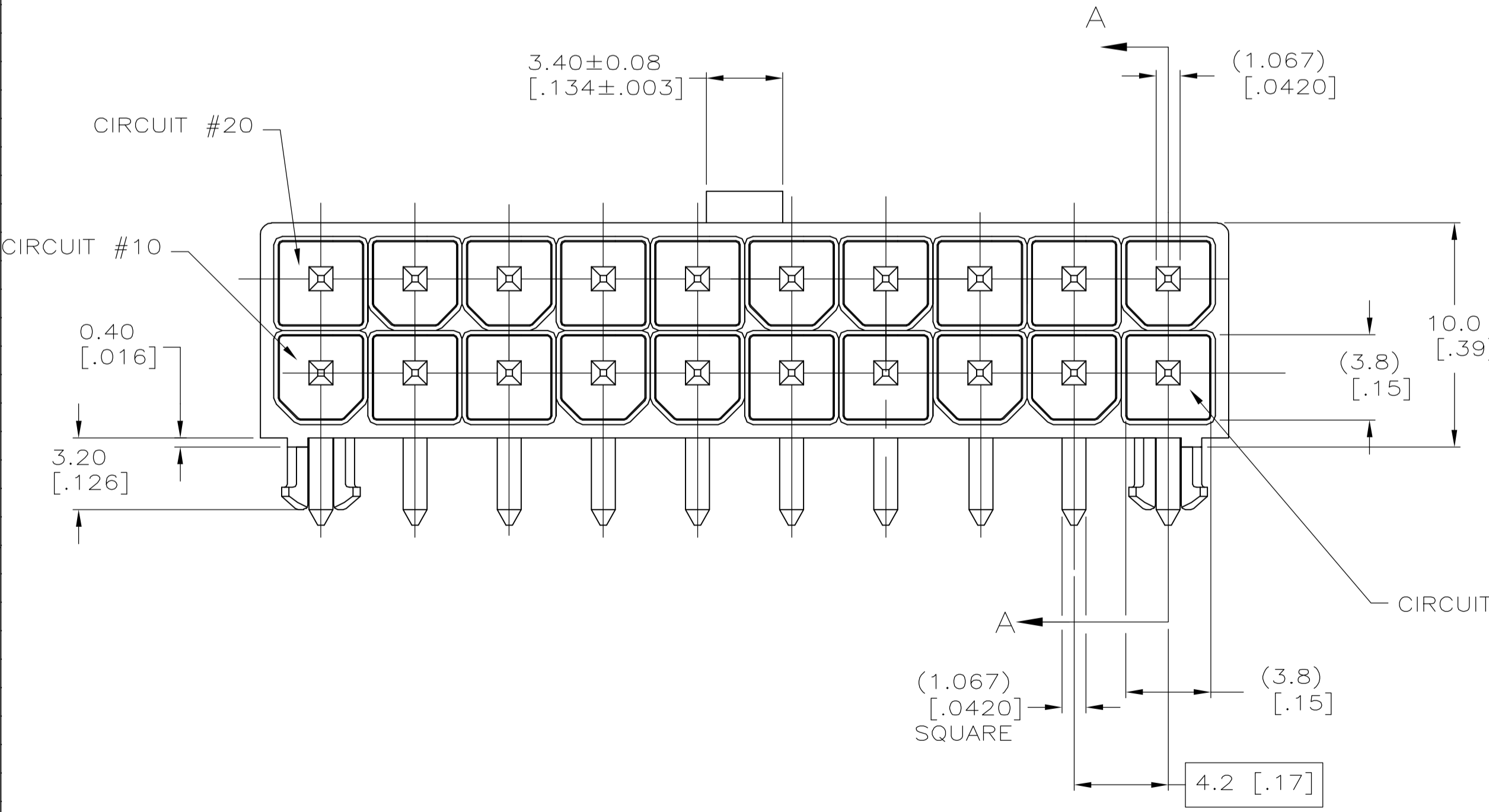
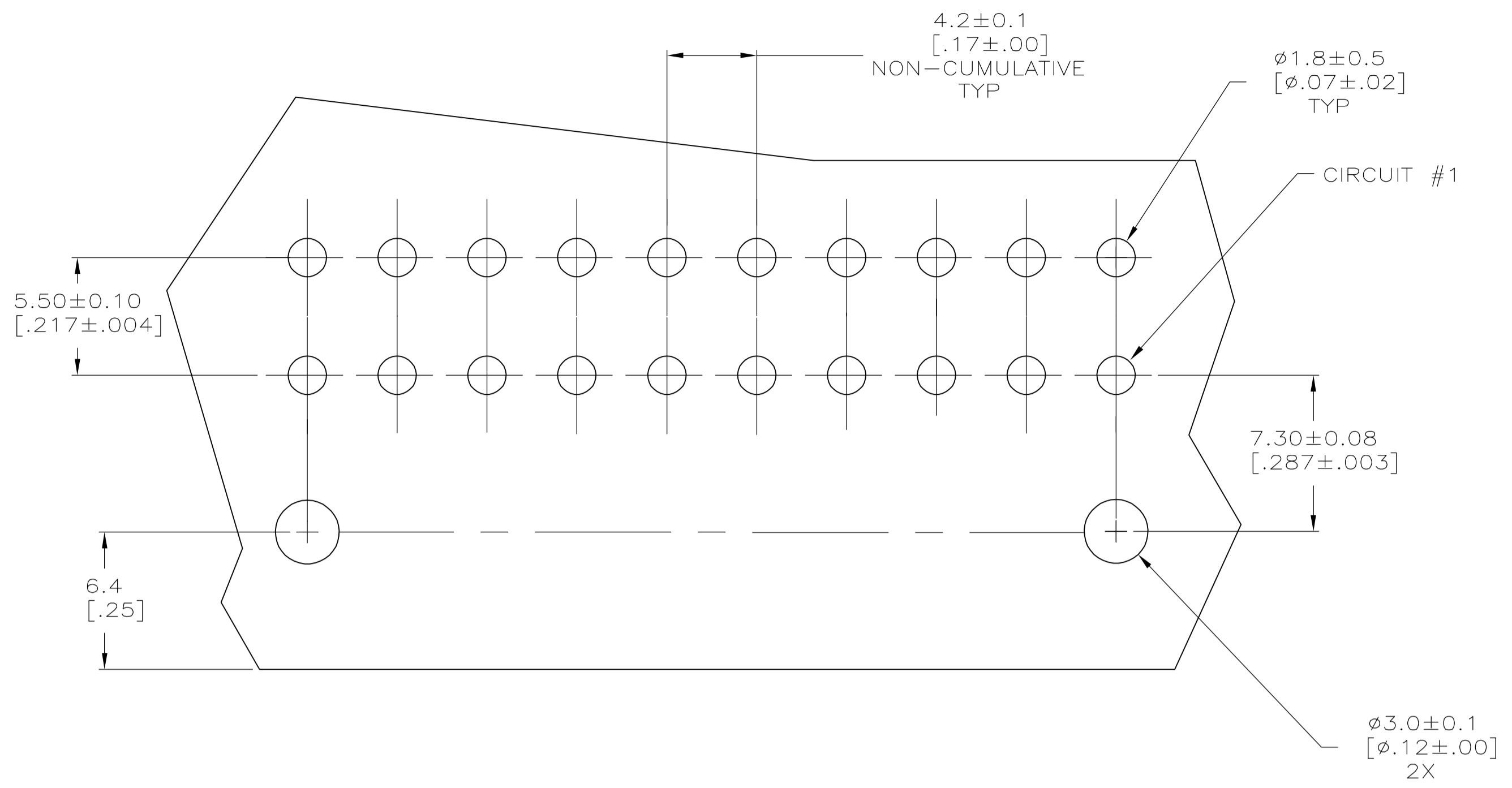
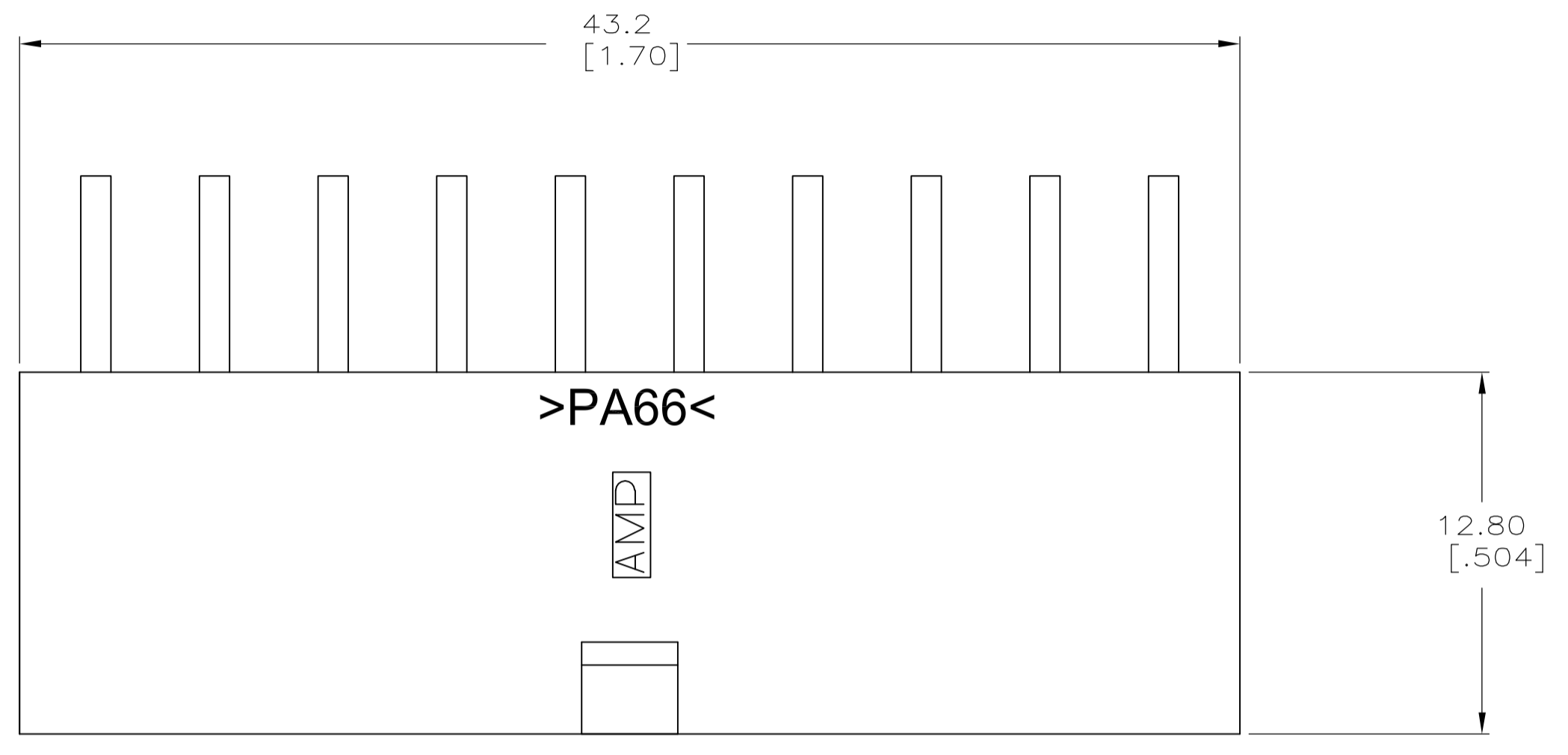


- ⚠ MATERIAL: HOUSING - NYLON, UL94V-2 (COLOR - NATURAL).  
PIN -  $1.067\text{mm}^2$  [ $.0017\text{in}^2$ ] COPPER ALLOY.
- 2. PINS TO COMPLY WITH SOLDERABILITY SPEC 109-11-3.
- ⚠ 0.00381 [.000150] MINIMUM TIN LEAD OVER 0.00127 [.000050] MINIMUM NICKEL, ENTIRE LENGTH OF PIN.
- ⚠ NOTE DELETED.
- ⚠ 0.00381 [.000150] MINIMUM TIN OVER 0.00127 [.000050] MINIMUM NICKEL, ENTIRE LENGTH OF PIN.



SUPERSEDED BY 1-794449-1

⚠	⚠	⚠	⚠	1-794449-1
⚠	⚠	⚠	⚠	794449-1
MATERIAL		FINISH		ASSEMBLY
PIN		HOUSING		

**METRIC**

THIS DRAWING IS A CONTROLLED DOCUMENT.

DIMENSIONS: mm [INCHES]	TOLERANCES UNLESS OTHERWISE SPECIFIED:	DIN S. HOOVER 02-MAR-2005	Tyco Electronics Corporation Harrisburg, Pa 17105-3608
0 PLC ±	1 PLC ± 0.2 [.01]	CHK D. COLEY 02-MAR-2005	
	2 PLC ± 0.13 [.005]	APVD D. COLEY 02-MAR-2005	ASSEMBLY, HEADER, RIGHT ANGLE, 20 POSITION, W/PEGS, 94V-2, AMP-DUAC POWER CONNECTOR
	3 PLC ±	NAME	
	4 PLC ±	PRODUCT SPEC	108-1646
	ANGLES ± ± 0° 30'	APPLICATION SPEC	114-6067
MATERIAL SEE CHART	FINISH SEE CHART	SIZE	A1
		WEIGHT	00779
		CUSTOMER DRAWING	794449

SCALE 5:1 SHEET 1 OF 1 REV E