

Serial LCD Adapter™

Manual

All Mikroelektronika's development systems feature a large number of peripheral modules expanding microcontroller's range of application and making the process of program testing easier. In addition to these modules, it is also possible to use numerous additional modules linked to the development system through the I/O port connectors. Some of these additional modules can operate as stand-alone devices without being connected to the microcontroller.

Additional board

 **MikroElektronika**

SOFTWARE AND HARDWARE SOLUTIONS FOR EMBEDDED WORLD ...making it simple

Serial LCD Adapter

The Serial LCD Adapter additional board is used to connect an LCD display to a development system.

Key features:

- Serial SPI communication;
- Low power consumption; and
- 5V power supply voltage.

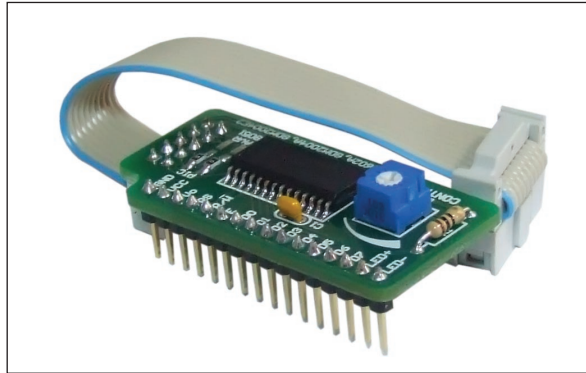


Figure 1: Serial LCD Adapter additional board

How to connect the board?

The Serial LCD Adapter additional board can be easily connected to a development system via an IDC10 connector on the additional board and one of 2x5 connectors on the development system's ports. Connection with LCD display is established via a 1x16 connector CN2 provided on the additional board.

How to use the board?

The microcontroller supplied on the development system sends data to LCD display via the Serial Peripheral Interface (SPI). The additional board first converts this data from serial into parallel format and then sends it to the LCD display. Potentiometer P1 is used to adjust LCD display contrast.

Here you can find examples for the Serial LCD Adapter board:

<http://www.mikroe.com/eng/products/view/148/serial-lcd-adapter-board/>

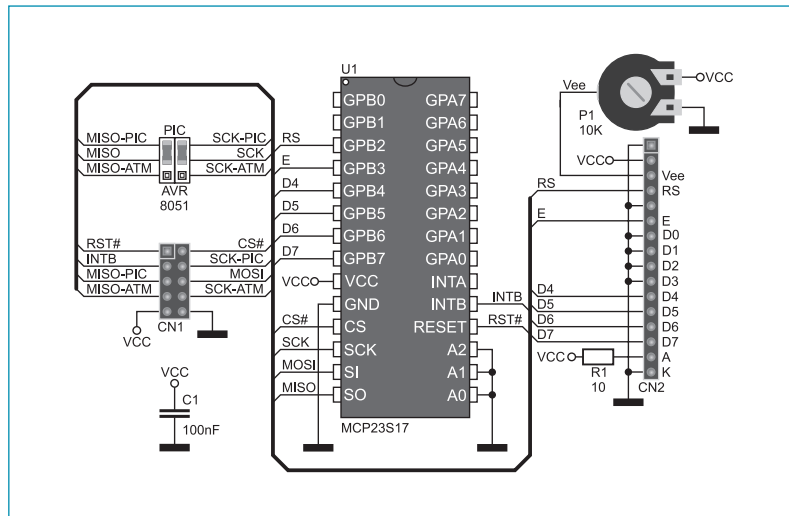


Figure 2: Serial LCD Adapter additional board

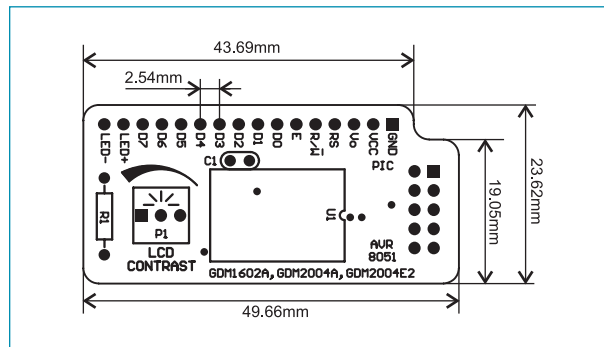


Figure 3: Dimensions of the Serial LCD Adapter board



MikroElektronika

SOFTWARE AND HARDWARE SOLUTIONS FOR EMBEDDED WORLD ...making it simple

If you want to learn more about our products, please visit our website at www.mikroe.com

If you are experiencing some problems with any of our products or just need additional information, please place your ticket at www.mikroe.com/en/support

If you have any questions, comments or business proposals, do not hesitate to contact us at office@mikroe.com