

LTC2986 and LTC2986-1 Input Protected Universal Temperature Measurement System on a Chip

DESCRIPTION

Demonstration circuit DC2507A is a resistive protection network designed to interface the [LTC[®]2986](#) demonstration boards (DC2508 for LTC2986 or DC2618 for LTC2986-1). The LTC2986 is a pin and software compatible 10-channel version of the 20-channel LTC2983. The LTC2986 includes several new modes enabling external protection/filtering resistors for 2-/3-/4-wire RTDs, thermistors, and thermocouples. The DC2507A includes a universal input 4-input terminal block, front end protection/filtering resistors, and an interface for connecting to the DC2508/DC2618 demonstration circuit.

The 4-input terminal block (J1) can directly interface to a single 2-/3-/4-wire RTD, or a thermistor, or a thermocouple (with 4 options for cold junction compensation). A single hardware design is shared between all sensor types. Switching between sensors simply requires a change in software (channel assignment programming). All LTC2986

input channels are isolated from the terminal block by a 2.4k Ω , 1W protection resistor, while the complementing DC2508 contains 100pF filtering capacitors. As a reference, the DC2507A includes a top level hookup diagram for each sensor type, see Figure 1.

The DC2507A requires a DC2531 or DC2608 kit. These kits contain the LTC2986 motherboard (DC2508 or DC2618) and a Linduino[®] One (DC2026) USB interface board. Additionally, QuikEval[™] software is used to program the LTC2986 channel assignment data and display the temperature results.

Design files for this circuit board are available at <http://www.linear.com/demo/DC2507A>

LT, LTC, LTM, Linear Technology, the Linear logo and Linduino are registered trademarks and QuikEval is a trademark of Linear Technology Corporation. All other trademarks are the property of their respective owners.

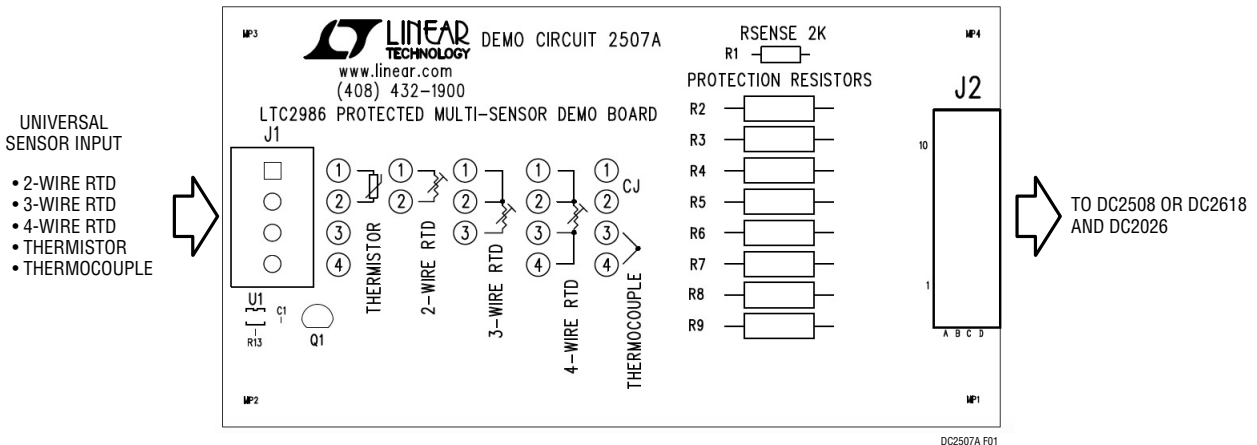


Figure 1. DC2507A Demonstration Board

SETUP

Global Parameters Setup

In order to run the LTC2986 in the universally protected mode, all 3 kelvin mode global variables need to be set, see Figure 2. Note, these variables are not available with the LTC2983 and LTC2984. The LTC2986 will automatically determine the current mode based on the sensor type and/or the number of sensor wires.

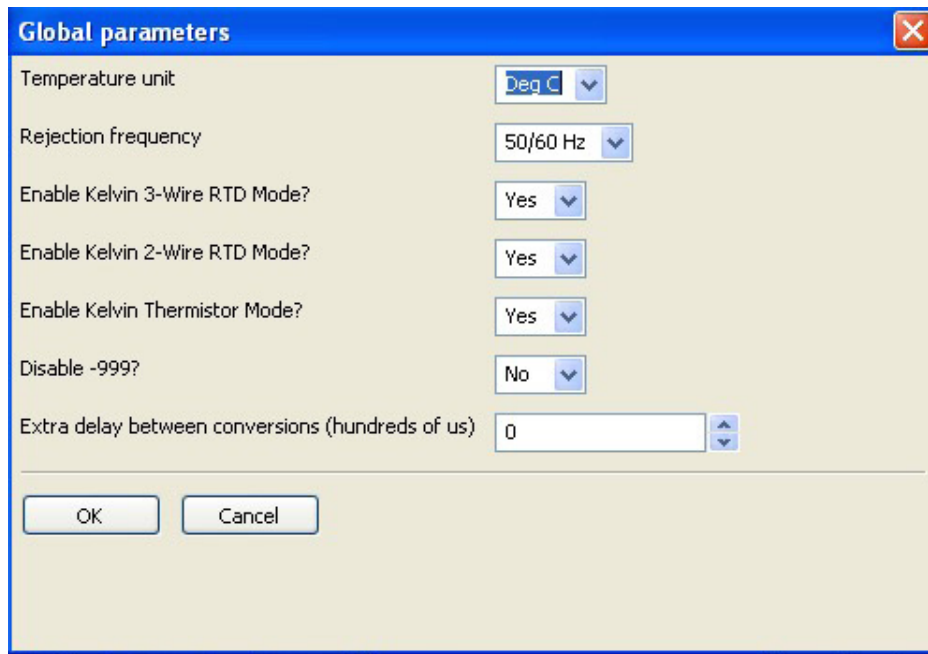


Figure 2. Setting Global Kelvin Mode

SETUP

Sense Resistor Setup

The DC2508 includes a precision 2kΩ sense resistor. This Sense resistor is assigned to CH2 for all RTDs and Thermistors (see Figure 3).

Built-In Configurations

The LTC2986 demonstration software includes stored configurations for each of the sensor type used for the DC2507A demonstration board. These can be loaded by selecting the menu function: Configuration > Demo Board > DC2507A. (see Figure 4). These configurations will automatically load all the channel assignment data and global variables for each sensor.

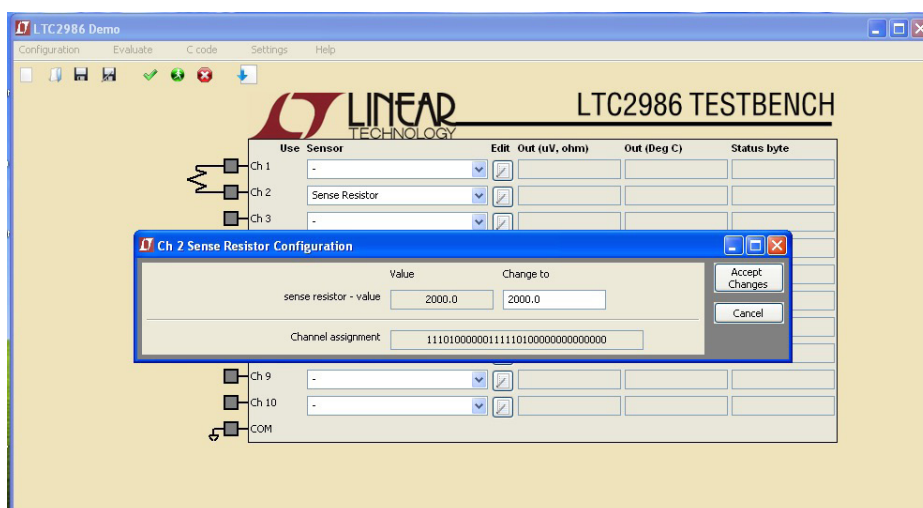


Figure 3. Sense Resistor Channel Assignment

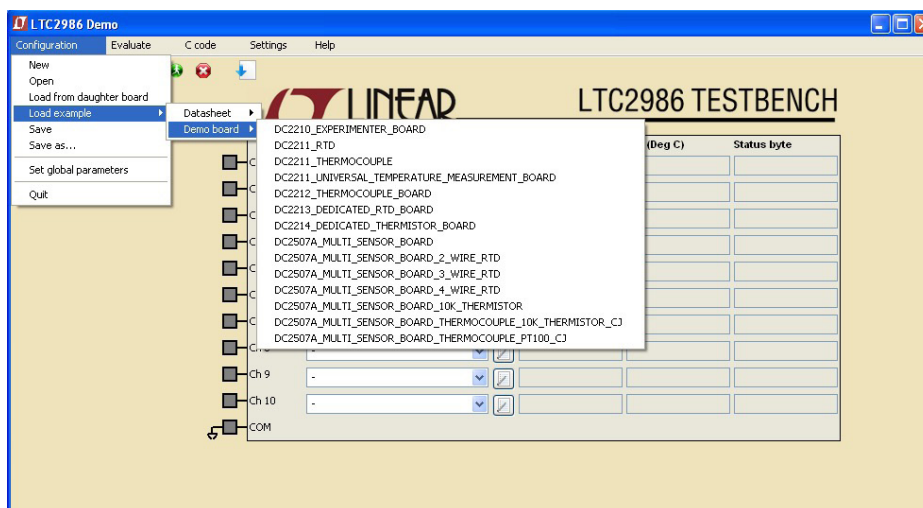


Figure 4. Loading Pre-Programmed Sensor Configurations

SETUP

2-Wire RTD

Connect the 2-wire RTD to between terminals 1 and 2 on terminal block J1, see Figure 5.

The 2-wire RTD is assigned to CH4 (see Figure 6) and can be automatically loaded using the configuration file DC2507A_MULTI_SENSOR_BOARD_2_WIRE_RTD or manually entered using the LTC2986 demonstration software.

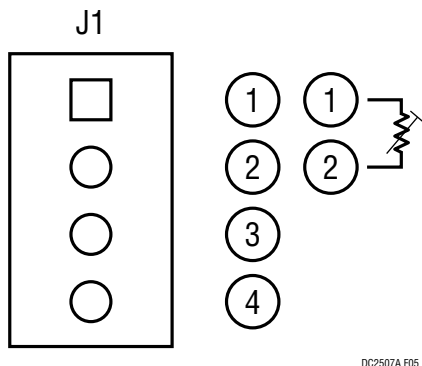


Figure 5. 2-Wire RTD Connection

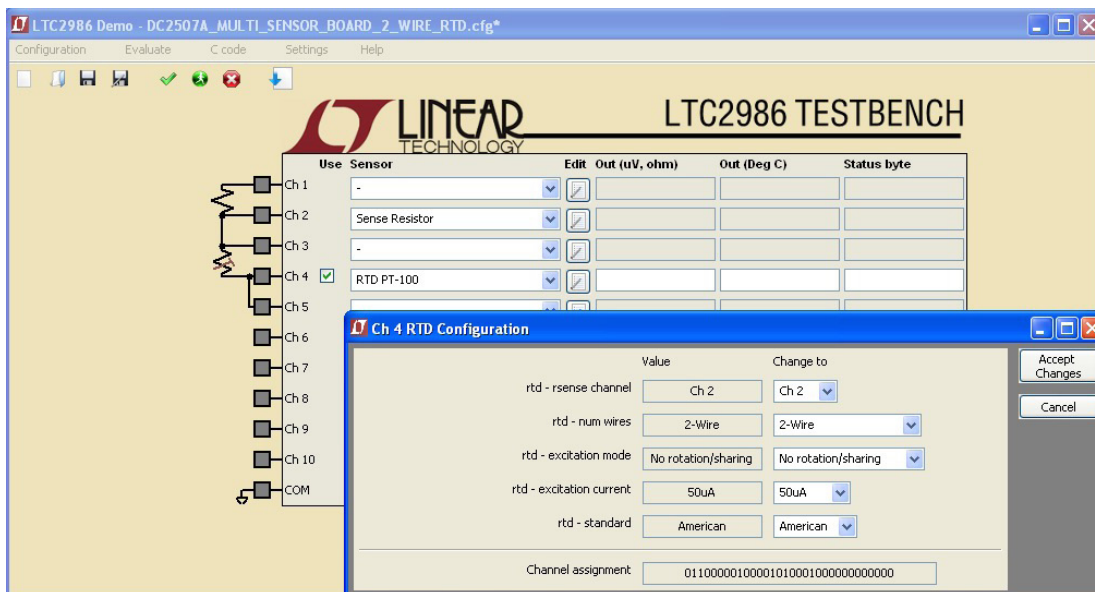


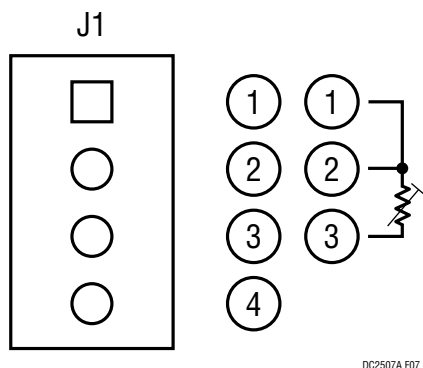
Figure 6. 2-Wire RTD Configuration

SETUP

3-Wire RTD

Connect the 3-wire RTD to between terminals 1, 2 and 3 on terminal block J1, see Figure 7.

The 3-wire RTD is assigned to CH6 (see Figure 8) and can be automatically loaded using the configuration file DC2507A_MULTI_SENSOR_BOARD_3_WIRE_RTD or manually entered using the LTC2986 demonstration software.



DC2507A F07

Figure 7. 3-Wire RTD Connection

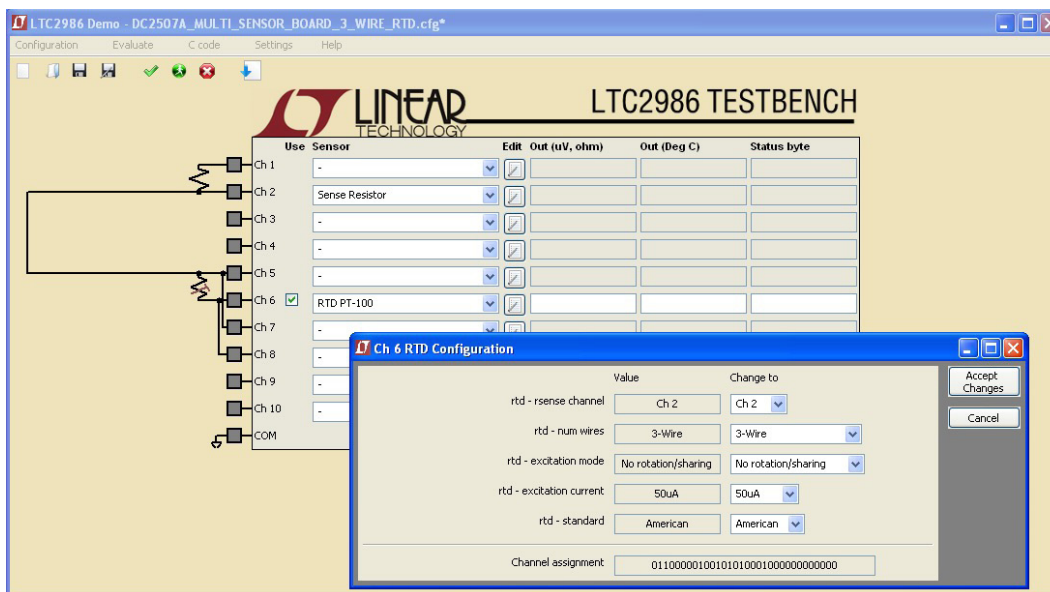


Figure 8. 3-Wire RTD Configuration

SETUP

4-Wire RTD

Connect the 4-wire RTD to between terminals 1, 2, 3 and 4 on terminal block J1, see Figure 9.

The 4-wire RTD is assigned to CH6 (see Figure 10) and can be automatically loaded using the configuration file DC2507A_MULTI_SENSOR_BOARD_4_WIRE_RTD or manually entered using the LTC2986 demonstration software. In the universal protected mode, 4-wire RTDs have rotation and sharing turned off, the DC2507 includes a protected ground connection for the 4-wire RTD.

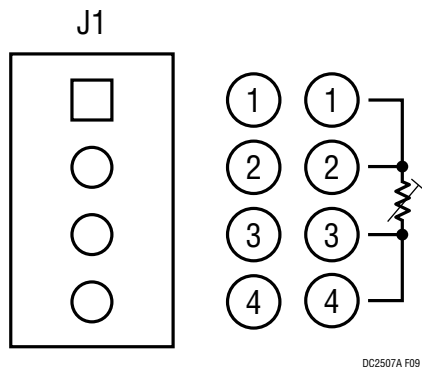


Figure 9. 4-Wire RTD Connection

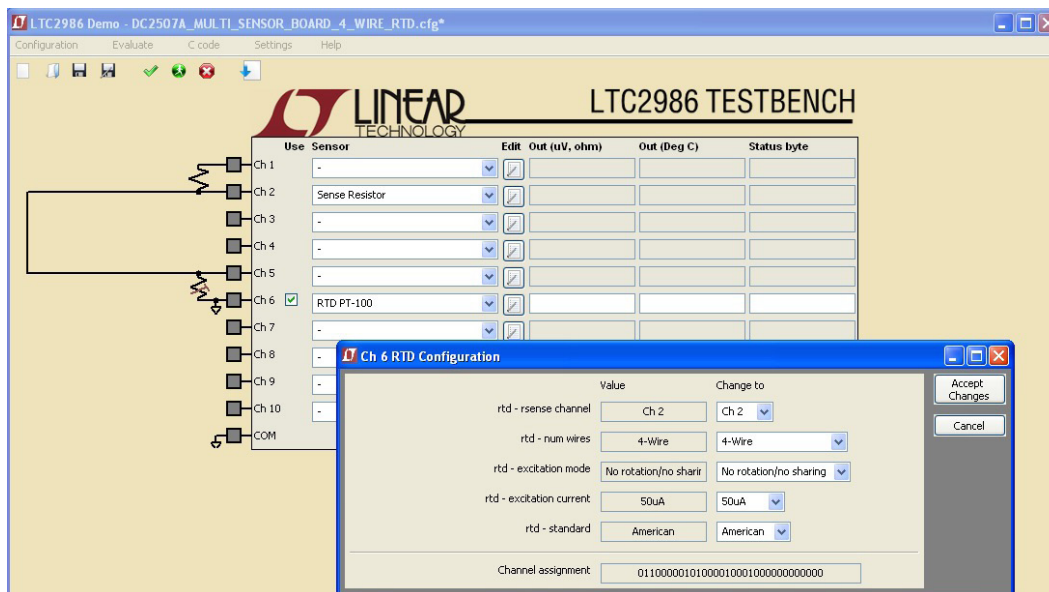


Figure 10. 4-Wire RTD Configuration

SETUP

Thermistor

Connect the thermistor between terminals 1 and 2 on terminal block J1, see Figure 11.

The thermistor is assigned to CH4 (see Figure 12) and can be automatically loaded using the configuration file DC2507A_MULTI_SENSOR_BOARD_10K_THERMISTOR or manually entered using the LTC2986 demonstration software.

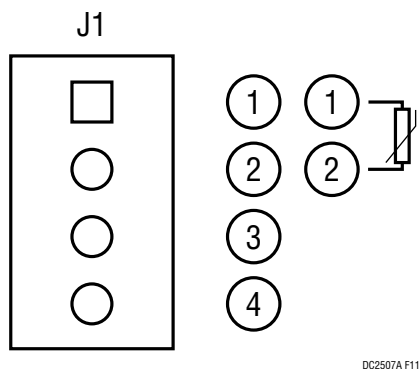


Figure 11. Thermistor Connection

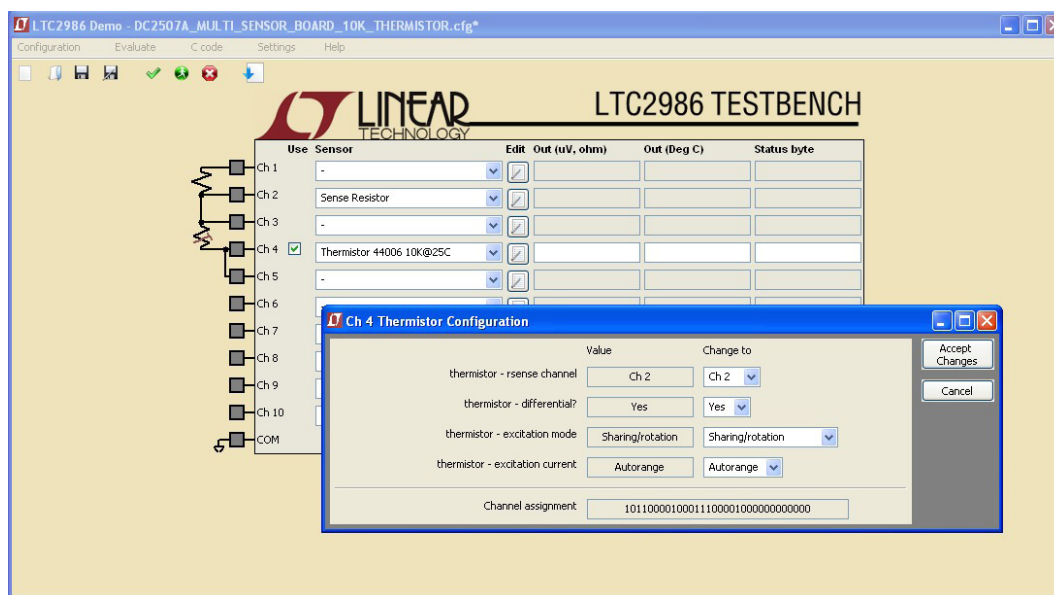
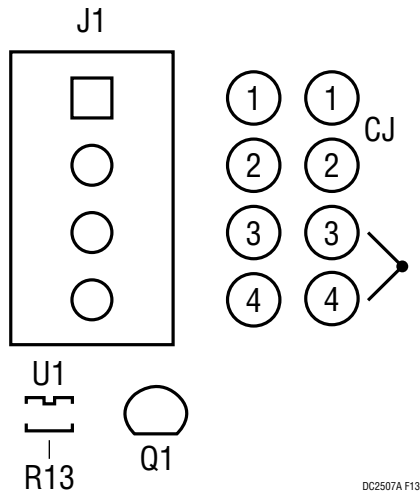


Figure 12. Thermistor Configuration

SETUP

Thermocouple

Connect the thermocouple between terminals 3 and 4 on terminal block J1, see Figure 13. 1 of 4 sensors can be used for the cold junction compensation.



CJ Option 1: Active analog temperature sensor (U1) tied to CH10.

CJ Option 2: Diode (Q1) tied to CH9.

CJ Option 3: 2-wire RTD connected between terminals 1 and 2 on terminal block J1 and assigned to CH4.

CJ Option 4: Thermistor connected between terminals 1 and 2 on terminal block J1 and assigned to CH4.

See pages 63-65 in the LTC2986 data sheet for more information.

The thermocouple is assigned to CH6 (see Figure 14) and can be automatically loaded using the configuration file DC2507A_MULTI_SENSOR_BOARD_THERMICOUPLE_10K_THERMISTOR_CJ or DC2507A_MULTI_SENSOR_BOARD_THERMICOUPLE_PT100_CJ or manually entered using the LTC2986 demonstration software.

Figure 13. Thermocouple and Cold Junction Connection

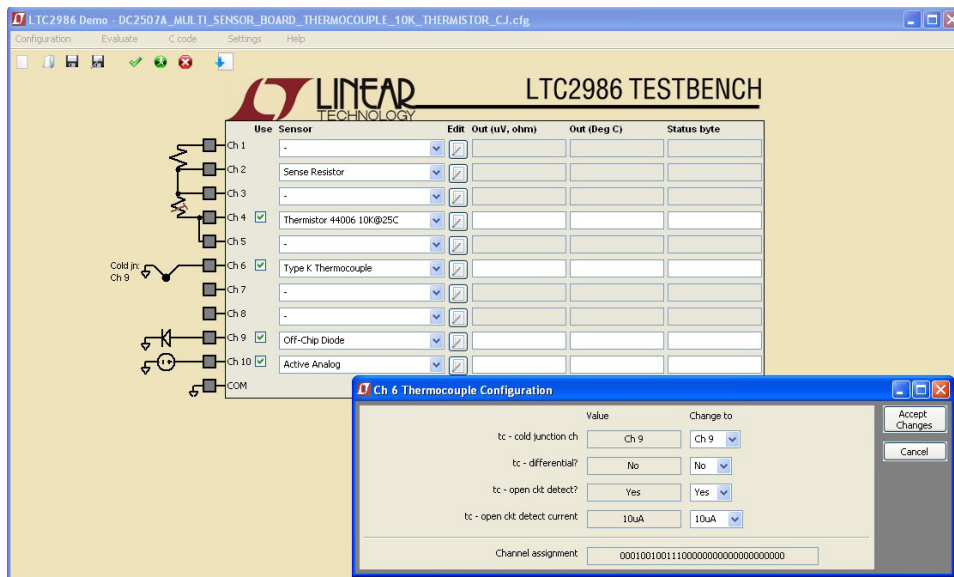
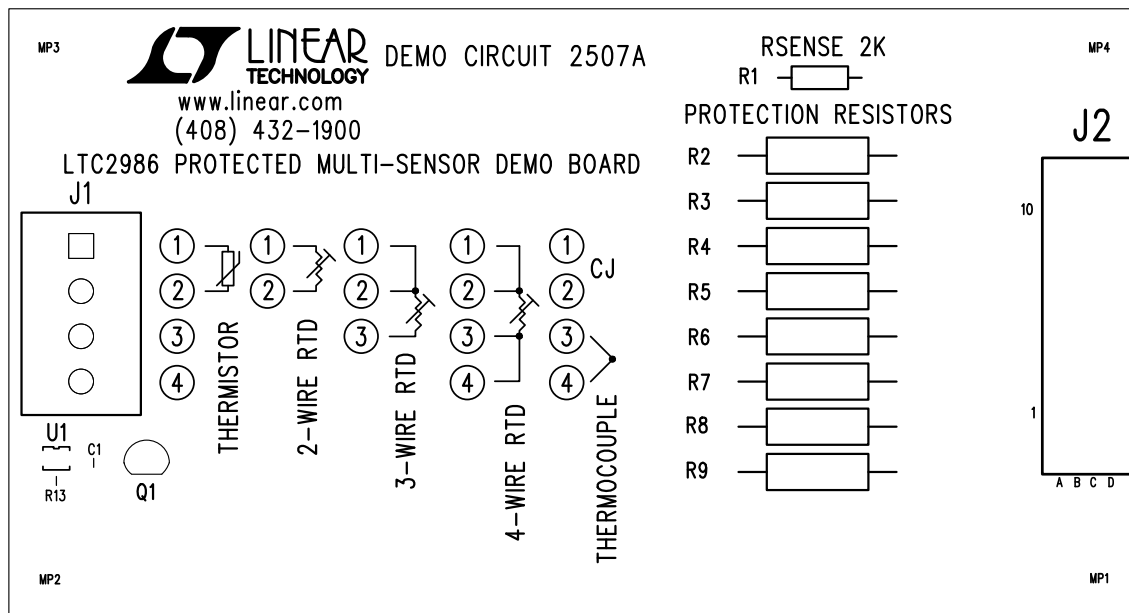


Figure 14. Thermocouple and Cold Junction Configuration

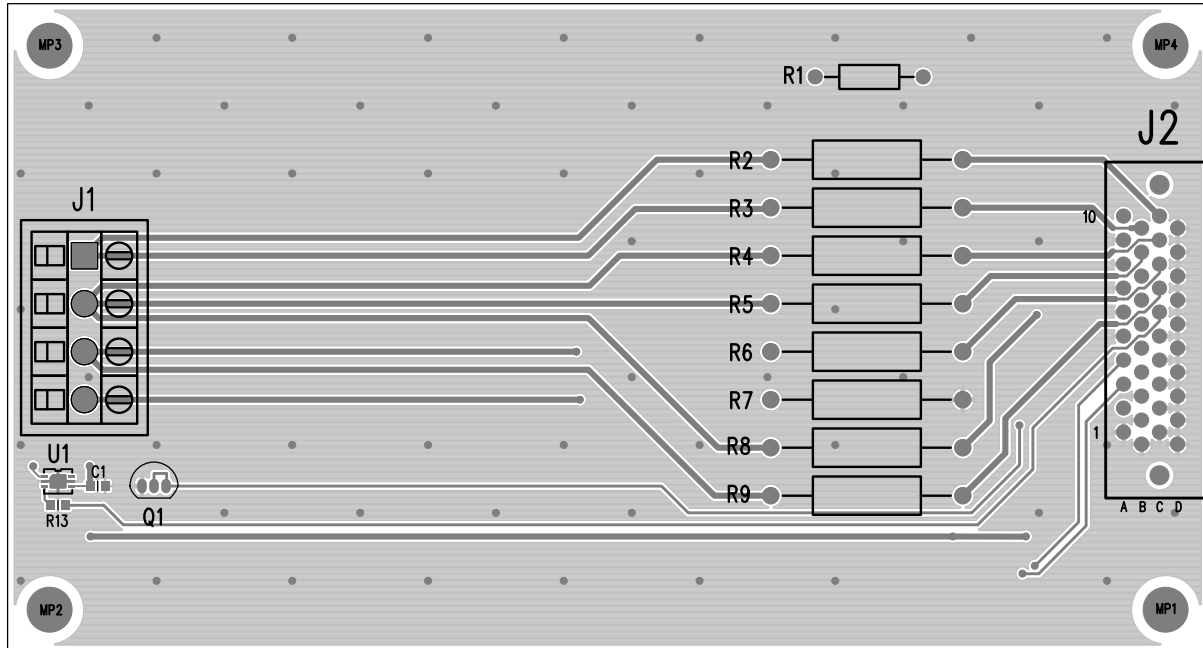
PCB LAYOUT

Top Silkscreen



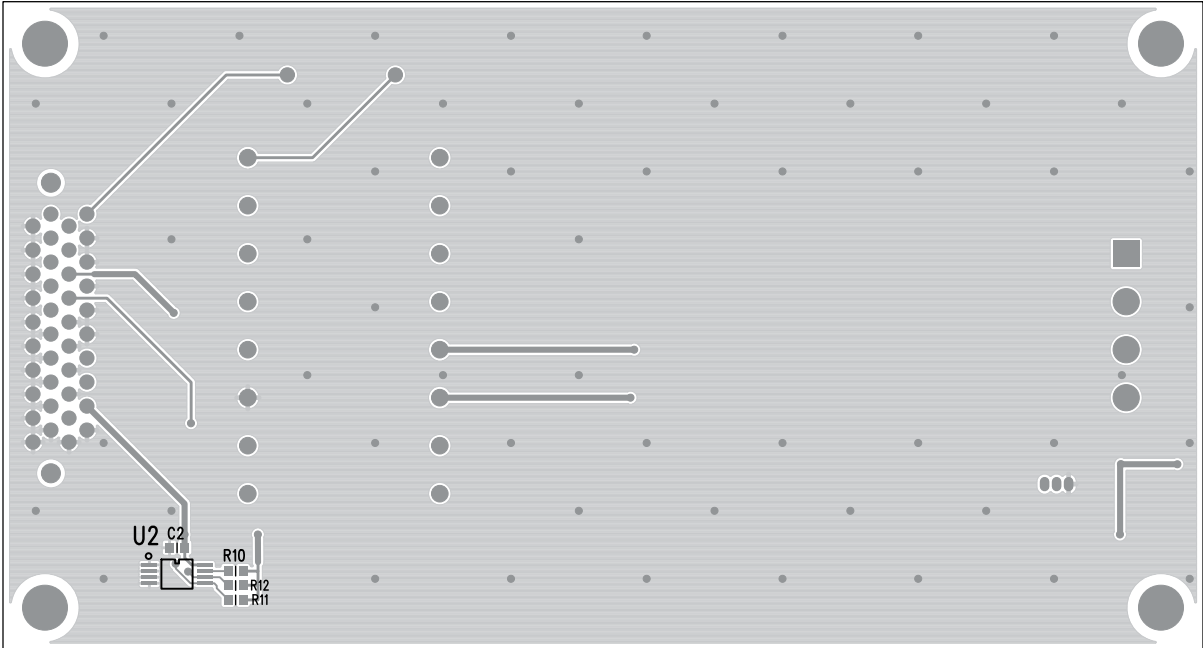
PCB LAYOUT

Top Layer



PCB LAYOUT

Bottom Layer

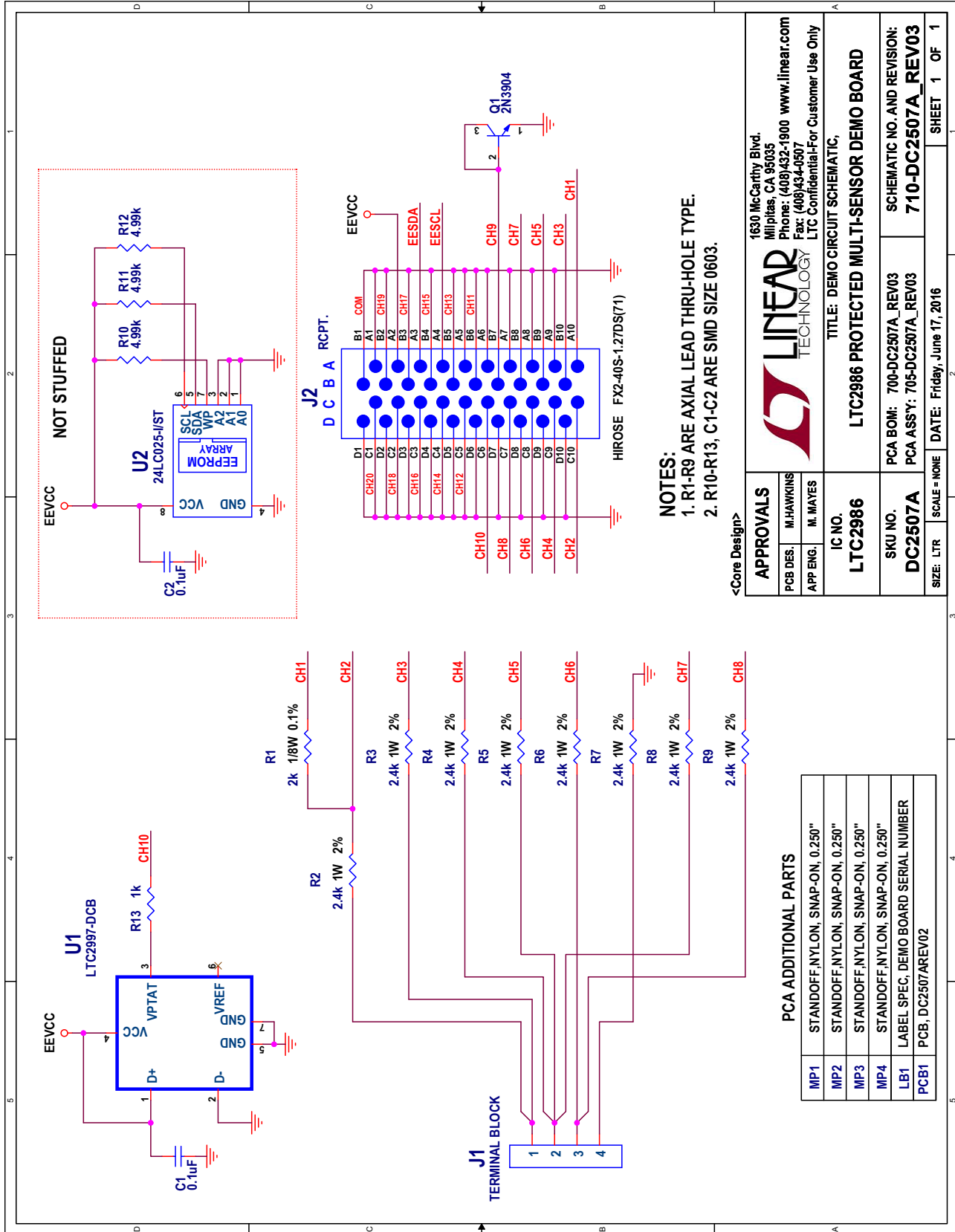



DEMO MANUAL DC2507A

PARTS LIST

ITEM	QTY	REFERENCE	PART DESCRIPTION	MANUFACTURER/PART NUMBER
1	2	C1, C2	CAP, 0.1 μ F, X7R, 16V, 10%, 0603	AVX 0603YC104KAT2A
2	1	J1	CONN., TERMINAL BLOCK, 4 POS, 5.08mm, THT, 13.5A, GREEN	PHOENIX 1869237
3	1	J2	CONN., RCPT., 40 POS., 1.27mm, R/A, THT	HIROSE FX2-40S-1.27DS(71)
4	1	LB1	LABEL SPEC, DEMO BOARD SERIAL NUMBER	BRADY THT-96-717-10
5	4	MP1-MP4	STANDOFF, NYLON, SNAP-ON, 0.250"	KEYSTONE 8831
6	1	PCB1	PCB, DC2507A	MAO BANG 600-DC2507A
7	1	Q1	XSTR., NPN, 40V, 200mA, TO-92 3L, THT	FAIRCHILD SEMI 2N3904TF
8	1	R1	RES., 2k Ω , 0.1%, 1/8W, THT	VISHAY PTF562K0000BYEB
9	8	R2-R9	RES., 2.4k Ω , 2%, 1W, AXIAL LEADED	VISHAY CMF202K4000GNEK
10	3	R10-R12	RES., 4.99k Ω , 1%, 1/10W, 0603	NIC NRC06F4991TRF
11	1	R13	RES., 1k Ω , 5%, 1/10W, 0603	VISHAY CRCW06031K00JNEA
12	1	U1	IC, REMOTE INTERNAL TEMP SENSOR, 6-PIN DFN 2mm x 3mm	LINEAR TECHNOLOGY LTC2997IDCB#TRMPBF
13	1	U2	IC, MEMORY, EEPROM, 2K-BIT, 400kHz, TSSOP-8	MICROCHIP 24LC025-I/ST

SCHEMATIC DIAGRAM



APPROVALS		1630 McCarthy Blvd. Milpitas, CA 95035 Phone: (408)432-1900 www.linear.com Fax: (408)434-0507 LTC Confidential-For Customer Use Only	
PCB DES: M. HAWKINS	APP ENG: M. MAYES	 <p>TITLE: DEMO CIRCUIT SCHEMATIC, LTC2986 PROTECTED MULTI-SENSOR DEMO BOARD</p>	
IC NO. LTC2986			
SKU NO. DC2507A	PCA BOM: 700-DC2507A_REV03	SCHEMATIC NO. AND REVISION: 710-DC2507A_REV03	
SIZE: LTR	SCALE: NONE	DATE: Friday, June 17, 2016	SHEET 1 OF 1

PCA ADDITIONAL PARTS

MP1	STANDOFF, NYLON, SNAP-ON, 0.250"
MP2	STANDOFF, NYLON, SNAP-ON, 0.250"
MP3	STANDOFF, NYLON, SNAP-ON, 0.250"
MP4	STANDOFF, NYLON, SNAP-ON, 0.250"
LB1	LABEL SPEC. DEMO BOARD SERIAL NUMBER
PCB1	PCB, DC2507AREV02

DEMO MANUAL DC2507A

DEMONSTRATION BOARD IMPORTANT NOTICE

Linear Technology Corporation (LTC) provides the enclosed product(s) under the following **AS IS** conditions:

This demonstration board (DEMO BOARD) kit being sold or provided by Linear Technology is intended for use for **ENGINEERING DEVELOPMENT OR EVALUATION PURPOSES ONLY** and is not provided by LTC for commercial use. As such, the DEMO BOARD herein may not be complete in terms of required design-, marketing-, and/or manufacturing-related protective considerations, including but not limited to product safety measures typically found in finished commercial goods. As a prototype, this product does not fall within the scope of the European Union directive on electromagnetic compatibility and therefore may or may not meet the technical requirements of the directive, or other regulations.

If this evaluation kit does not meet the specifications recited in the DEMO BOARD manual the kit may be returned within 30 days from the date of delivery for a full refund. **THE FOREGOING WARRANTY IS THE EXCLUSIVE WARRANTY MADE BY THE SELLER TO BUYER AND IS IN LIEU OF ALL OTHER WARRANTIES, EXPRESSED, IMPLIED, OR STATUTORY, INCLUDING ANY WARRANTY OF MERCHANTABILITY OR FITNESS FOR ANY PARTICULAR PURPOSE. EXCEPT TO THE EXTENT OF THIS INDEMNITY, NEITHER PARTY SHALL BE LIABLE TO THE OTHER FOR ANY INDIRECT, SPECIAL, INCIDENTAL, OR CONSEQUENTIAL DAMAGES.**

The user assumes all responsibility and liability for proper and safe handling of the goods. Further, the user releases LTC from all claims arising from the handling or use of the goods. Due to the open construction of the product, it is the user's responsibility to take any and all appropriate precautions with regard to electrostatic discharge. Also be aware that the products herein may not be regulatory compliant or agency certified (FCC, UL, CE, etc.).

No License is granted under any patent right or other intellectual property whatsoever. **LTC assumes no liability for applications assistance, customer product design, software performance, or infringement of patents or any other intellectual property rights of any kind.**

LTC currently services a variety of customers for products around the world, and therefore this transaction **is not exclusive**.

Please read the DEMO BOARD manual prior to handling the product. Persons handling this product must have electronics training and observe good laboratory practice standards. **Common sense is encouraged.**

This notice contains important safety information about temperatures and voltages. For further safety concerns, please contact a LTC application engineer.

Mailing Address:

Linear Technology
1630 McCarthy Blvd.
Milpitas, CA 95035

Copyright © 2004, Linear Technology Corporation