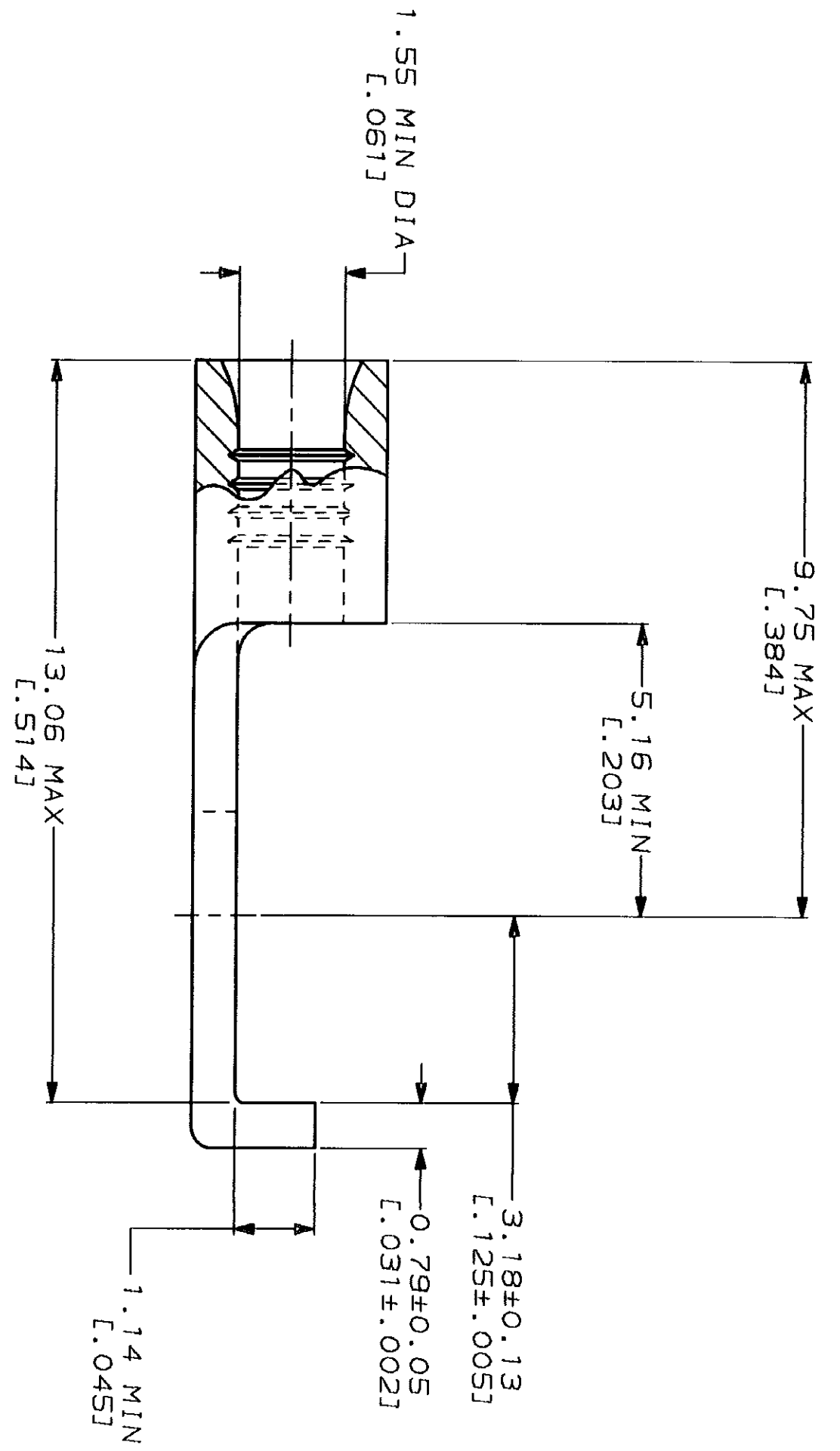
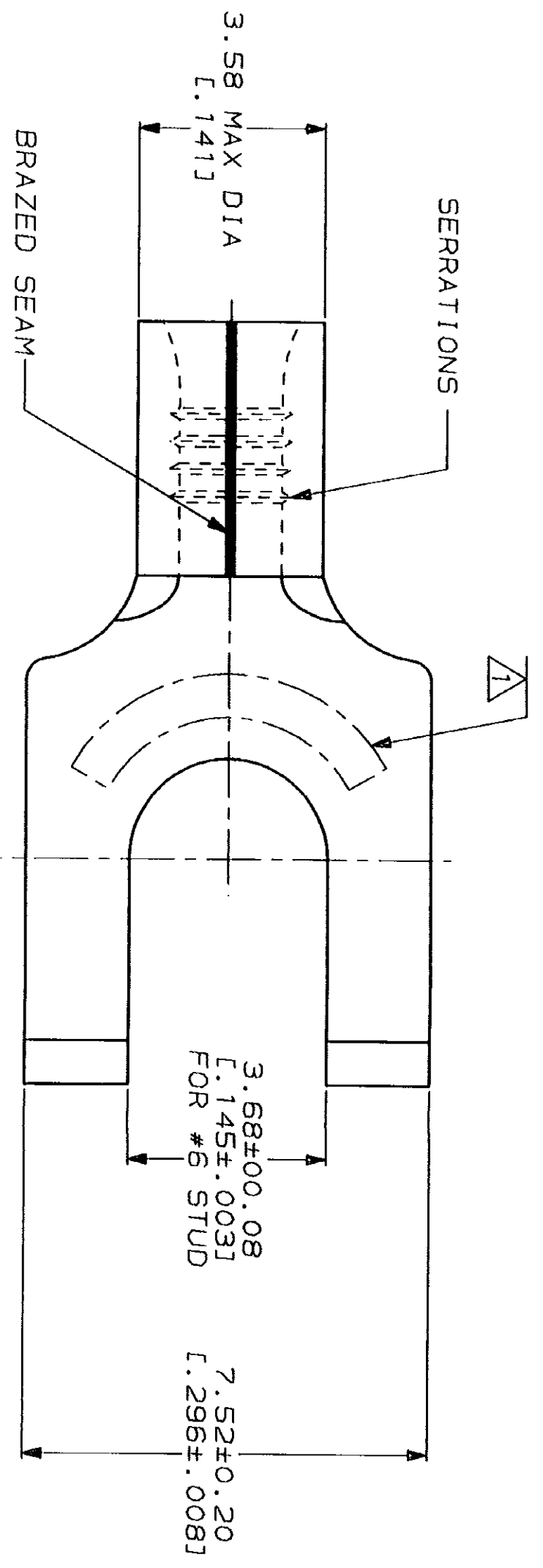
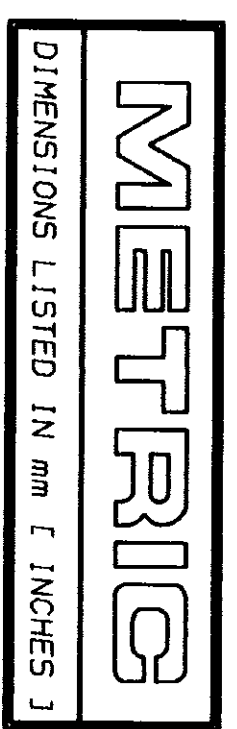


LOC	DIST	REV	DATE	APPD
G	14	F	4-8-93	18 DAP



AMP WIRE RANGE	UL E13288 Listed
22-16 AWG SOLID OR STRANDED	22-16 AWG SOLID OR STRANDED
LR2189 Certified	MILITARY P/N AND CLASS
22-16 AWG SOLID OR STRANDED	NOT APPLICABLE

STAMP AMP 22-18* APPROX AS SHOWN
 22-16 TERMINALS ARE STAMPED 22-18 IN
 ACCORDANCE WITH MILITARY SPECIFICATION
 MIL-T-7928; COMMERCIAL WIRE RANGE IS 22-16

QUANTITY	PACKAGE TYPE	PART NO
100	LOOSE PIECE BOX	8-320749-1
5000	ON TAPE	2-320749-2
----	LOOSE PIECE	320749

AMP INCORPORATED
CUSTOMER SERVICE SYSTEMS

FOR ADDITIONAL PRODUCT INFORMATION OR COPIES OF DRAWINGS AND TECHNICAL DOCUMENTS
 1-800-522-6752

FOR APPLICATION TOOLING INFORMATION
 1-800-722-1111

FOR ORDER ENTRY
 1-800-526-5142

MAX RECOMMENDED OPERATING TEMPERATURE: 170°C MAX

VOLTAGE RATING: NOT APPLICABLE

WIRE CROSS SECTIONAL AREA RANGE: 0.26-1.65mm² [509-3,260] CIR MILS
 SOLID OR STRANDED

FINISH: TIN PLATE
 0.00254 [L.000100] MIN THK PER MIL-T-10727

DO NOT SCALE PRINT.
 UNLESS SPECIFIED DIMENSIONS IN mm [INCHES]
 TOLERANCES ON:
 1. DIMENSIONS ± .15
 2. PLG DEC ± .05
 3. PLG DEC ± .05

MATERIAL: COPPER PER ASTM B-152 ANNEALED

DR 4-8-93
 TA BRINKMAN

CHK 4-8-93
 DA PATTERSON

APPD 4-8-93
 DE MILLER

APPD 4-8-93
 JL MECKLEY

PRODUCT SPEC

APPLICATION SPEC

WEIGHT

AMP
 AMP Incorporated
 Harrisburg, PA 17105-3608

TERMINAL, FLANGED SPADE, SOLI STRAND™

SIZE: CAGE CODE 00779 DRAWING NO: C=320749
 SCALE: 10:1 SHEET: 1 OF 1