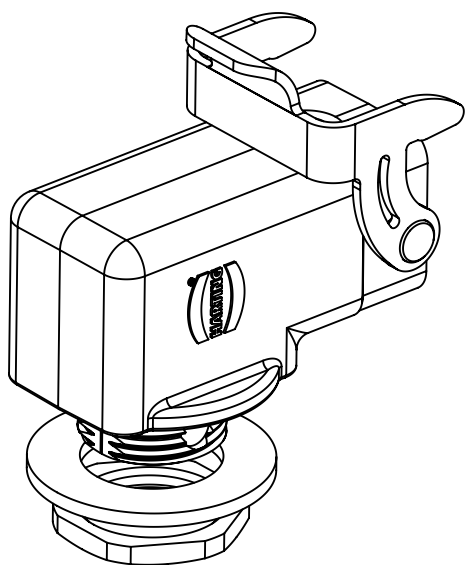
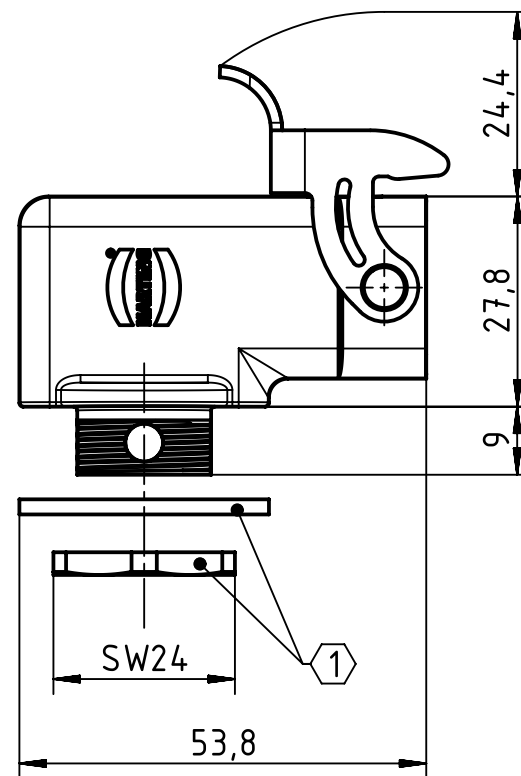
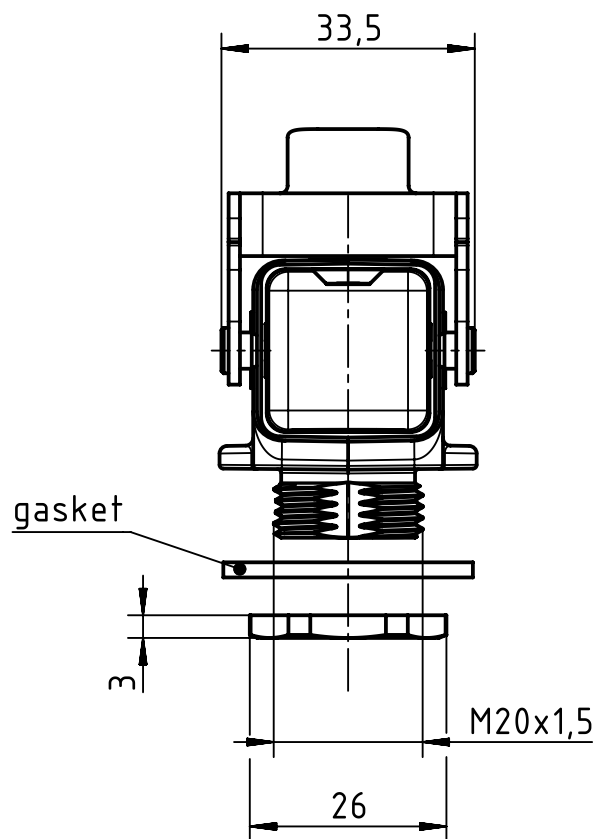
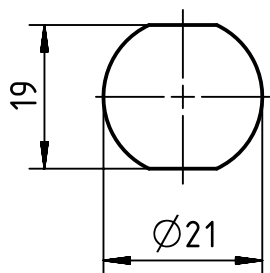


1:1
panel cut out



① enclosed separately

	All Dimensions in mm Original Size DIN A4	Scale 1:1		Free size tol.		Ref.	
		Created by MOELLERLI		Inspected by BEISCHER		Standardisation RUETERA	
All rights reserved Department EL PD - DE		Title Han 3M-Base angled-M20		State Final Release		Doc-Key / ECM-Nr. 100722012/UGD/001/D 500000133693	
HARTING Electric GmbH & Co. KG D-32339 Espelkamp		Type TB		Number 19 37 003 1160		Rev. D	
						Page 1/1	