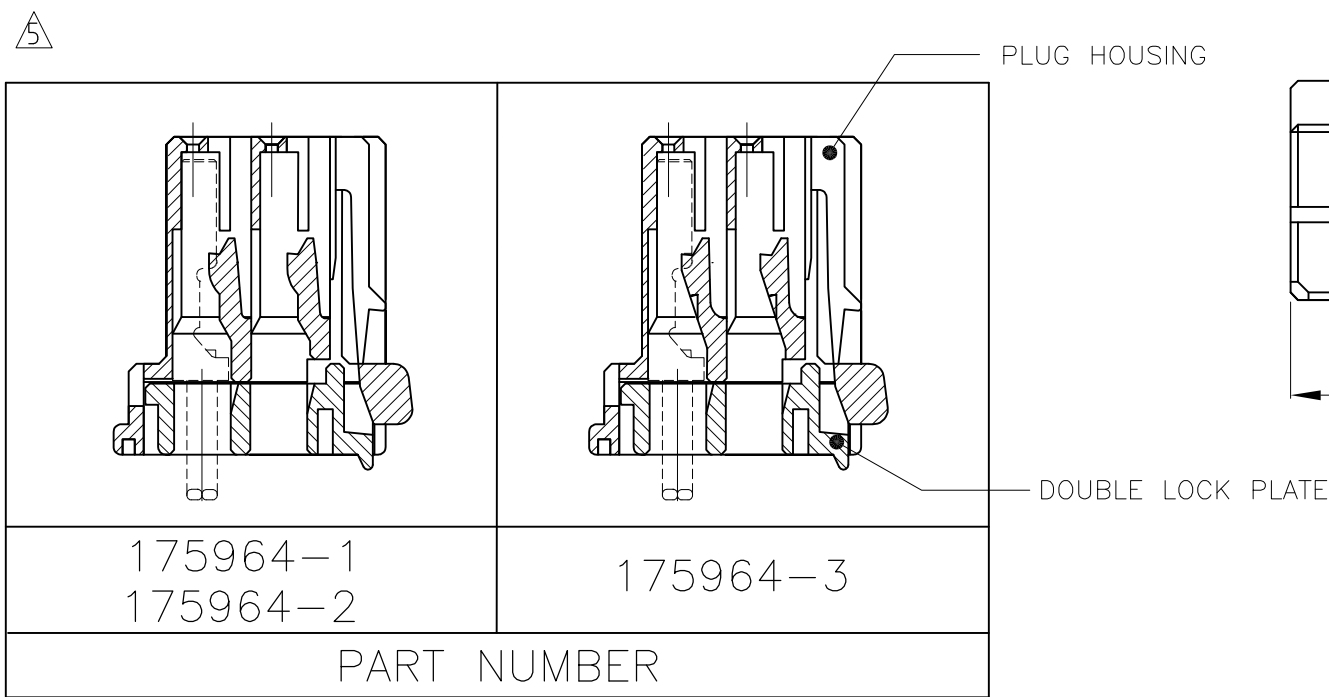
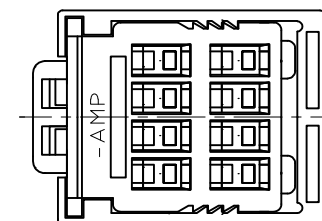
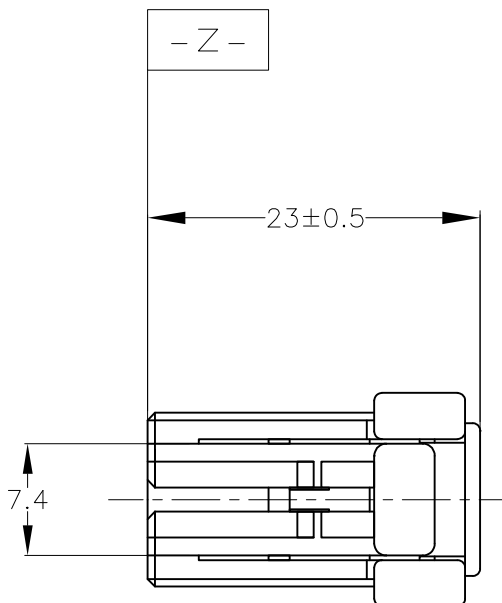
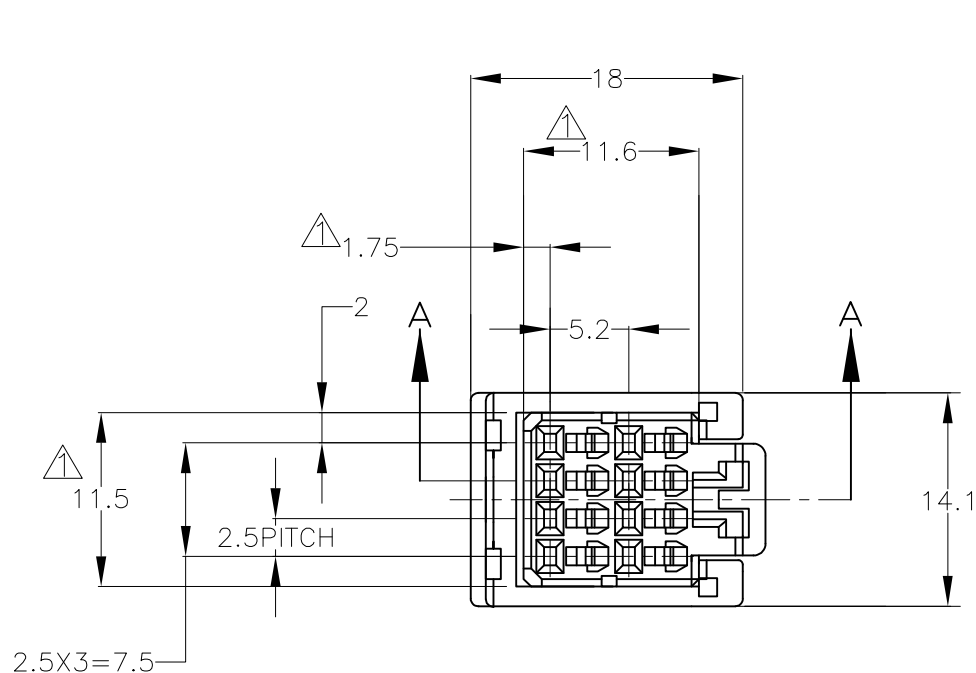


THIS DRAWING IS UNPUBLISHED. RELEASED FOR PUBLICATION
 © COPYRIGHT - By - ALL RIGHTS RESERVED.

LOC	DIST	REVISIONS					
J	-	P	LTR	DESCRIPTION	DATE	DWN	APVD
		A1		REVISED PER ECO-11-005140	28MAR11	RK	HMR



- ① MUST BE KEPT BETWEEN [-Z-] AND 2mm
- ② THE MATING CAP HSG. PART NUMBER; 175973
- ③ APPLIED CONTACT PART NUMBER; 173681
- ④ APPLICABLE PRODUCT SPEC NO; 108-5281
- ⑤ THIS PLUG HOUSING HAVE TWO KINDS OF LANCE TYPE.

- ① [-Z-] 面より2mmの範囲で測定。
- ② 嵌合相手ハウジング型番：175973
- ③ 内装するリセプタクルコンタクト型番：173681
- ④ 適用製品規格番号：108-5281
- ⑤ 本プラグハウジングは、2タイプのランス形状がある。

BLACK	175964-3
BLACK	175964-2
GRAY	175964-1
COLOR	PART NUMBER

TOLERANCE UNLESS OTHERWISE SPECIFIED: 一般公差

0 < x ≤ 10	: ±0.2
10 < x ≤ 30	: ±0.25
30 < x ≤ 100	: ±0.3
ANGLE ; 角度	: ±3°

THIS DRAWING IS A CONTROLLED DOCUMENT.

DWN	A.YAMAGUCHI	23JUN04	TE Connectivity
CHK	K.BETSUI	23JUN04	
APVD	K.BETSUI	23JUN04	
NAME	040 SERIES MULTILOCK I/O CONNECTOR MK-II		
PRODUCT SPEC	製品規格 108-5281		8POSITION PLUG HOUSING ASSEMBLY
APPLICATION SPEC	取付適用規格		RESTRICTED TO
WEIGHT	2.5 g	A300779	DRAWING NO 175964
MATERIAL	PBT	SCALE	2:1
FINISH	仕上	CAGE CODE	1 OF 1
COLOR	HOUSING; SEE TABLE PLATE; NATURAL	REV	A1

CUSTOMER DRAWING