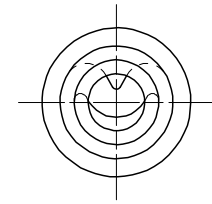
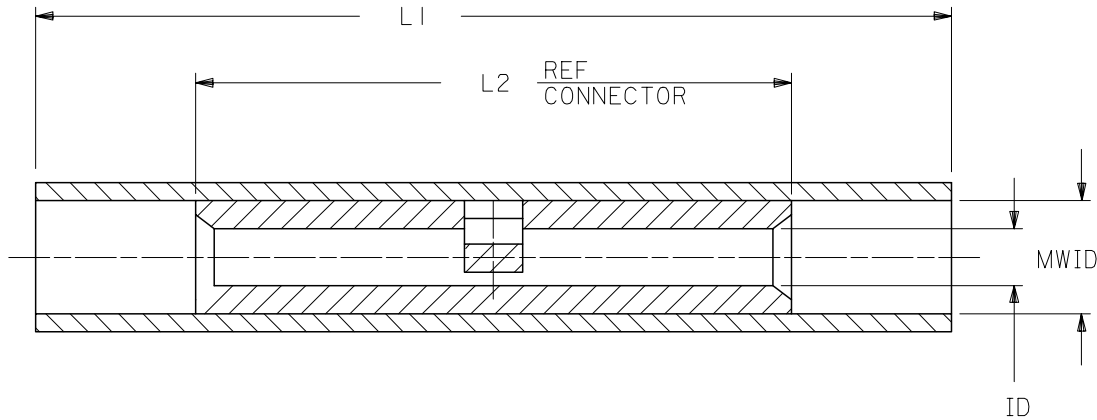


PART NO.	INSULATION COLOR	WIRE SIZE	ID	L1 MAX	L2 MAX.	MWID
AS-N-345	RED	22-18	.059	1.035	.675	.130
BS-N-331	BLUE	16-14	.091	1.080	.675	.140
CS-N-346	YELLOW	12-10	.138	1.300	.827	.223

Ⓑ

NOTES:

- MATERIAL:
INSULATION: NYLON
CONNECTOR: TIN PLATED SEAMLESS COPPER
- IF NECESSARY: SLIGHT FLARE ON ONE END ACCEPTABLE FOR ASSEMBLY PURPOSES.

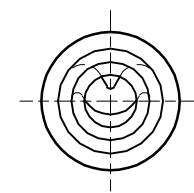
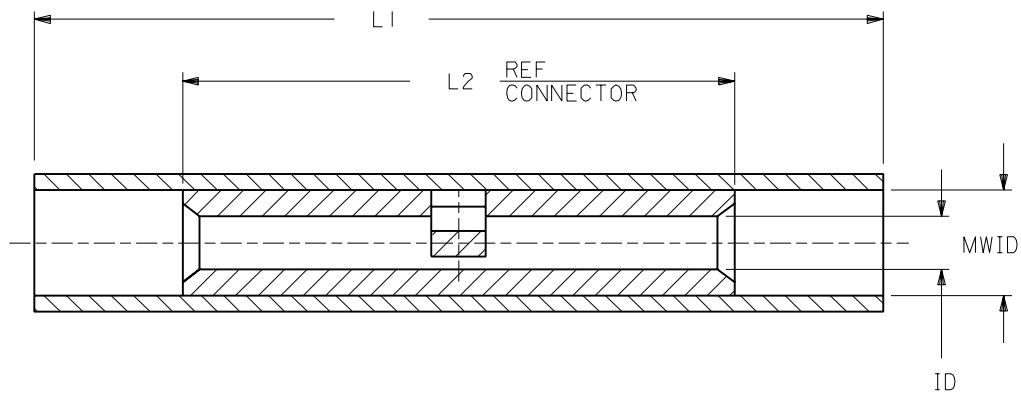


CUSTOMER DRAWING

REVISED & REDRAWN EC NO: B DRWN: L SHADECK 2005/06/13 CHKD: R DERROSS 2005/06/21 APPR: R DERROSS 2005/06/21	DESCRIPTION REV	QUALITY SYMBOLS ▽=0 ▽=0	GENERAL TOLERANCES (UNLESS SPECIFIED) <table border="1"> <thead> <tr> <th></th> <th>mm</th> <th>INCH</th> </tr> </thead> <tbody> <tr> <td>4 PLACES</td> <td>± ---</td> <td>± ---</td> </tr> <tr> <td>3 PLACES</td> <td>± ---</td> <td>± ---</td> </tr> <tr> <td>2 PLACES</td> <td>± ---</td> <td>± ---</td> </tr> <tr> <td>1 PLACE</td> <td>± ---</td> <td>± ---</td> </tr> </tbody> </table>		mm	INCH	4 PLACES	± ---	± ---	3 PLACES	± ---	± ---	2 PLACES	± ---	± ---	1 PLACE	± ---	± ---	DIMENSION STYLE IN/MM	SCALE 4:1	DESIGN UNITS INCH	THIRD ANGLE PROJECTION
			mm	INCH																		
		4 PLACES	± ---	± ---																		
		3 PLACES	± ---	± ---																		
2 PLACES	± ---	± ---																				
1 PLACE	± ---	± ---																				
DRAFT WHERE APPLICABLE MUST REMAIN WITHIN DIMENSIONS			DRAWN BY EMF	DATE 07/03/91	TITLE NYLAKRIMP BUTT CONNECTOR																	
			CHECKED BY JM	DATE 07/03/91																		
			APPROVED BY FP	DATE 07/03/91	MOLEX INCORPORATED																	
			MATERIAL NO. SEE TABLE	DOCUMENT NO. 60002-11C				SHEET NO. 1 OF 1														

PART NO.	INSULATION COLOR	WIRE SIZE	ID	L1 MAX	L2 MAX.	MWID
AS-N-345	RED	22-18	.059	1.035	.675	.130
BS-N-331	BLUE	16-14	.091	1.080	.675	.160
CS-N-346	YELLOW	12-10	.138	1.300	.827	.223

DRWG. NO. 60002-11C



CUSTOMER DRAWING

- NOTES:
- MATERIAL:
INSULATION: NYLON
CONNECTOR: TIN PLATED SEAMLESS COPPER
 - IF NECESSARY: SLIGHT FLARE ON ONE END ACCEPTABLE FOR ASSEMBLY PURPOSES.

A	ADD P/N AND UPDATE DRAWINGS ET80539 12/18 HEB
LTR.	REVISIONS

DIMENSIONS SHOWN (METRIC) INCH		
UNLESS OTHERWISE SPECIFIED TOLERANCES: ANGULAR ± 1/2°		
	INCH	METRIC
3 PLACE	± .005	± 0.13
2 PLACE	± .01	± 0.25
1 PLACE	± ---	± ---

DRAFT WHERE APPLICABLE MUST REMAIN WITHIN DIMENSIONS

REVISE ONLY ON CAD SYSTEM

TITLE
NYLAKRIMP BUTT CONNECTOR

molex **ETC** INC. SHEET NO. DATE
PINELLAS PARK, FLA. 33781 U.S.A. 1 OF 1 91/07/03

DRWG. BY EMF CHK'D. BY JM
APP'D. BY FP SCALE NONE

PART NO. SEE TABLE DRWG. NO. 60002-11C
FILE NAME 6000211C SD THIS DRAWING CONTAINS INFORMATION THAT IS PROPRIETARY TO MOLEX-ETC INC. AND SHOULD NOT BE USED WITHOUT WRITTEN PERMISSION. DIV. SIZE ET A