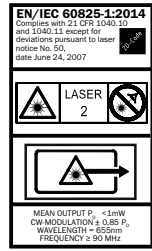


ENGLISH

Distance measuring device DL100 Pro Quickstart

In addition to Quickstart, there are detailed operating instructions for the distance measuring device. The Quickstart does not replace the operating instructions. The operating instructions can be downloaded online at "www.sick.com/Dx100". Furthermore, you can download the device description file (PROFINET IO: GSD-file, EtherNet/IP: EDS-file, EtherCAT: ESI-file) and the SOPAS Engineering Tool there.



EN/IEC 60825-1:2014 Complies with 21 CFR 1040.10 and 1040.11 except for deviations pursuant to laser notice No. 50 dated June 24, 2007. Laser radiation - Do not look into the laser beam - Laser class 2 (EN/IEC 60825-1:2014) Identical laser class for issue EN/IEC 60825-1:2007 Laser aperture

Safety notes

- Read the Quickstart before performing any work with the distance measuring device.
Danger of injury from laser radiation. The distance measuring device DL100 Pro has a class 2 laser installed. Looking directly into the laser beam may damage the eyes. Do not look into the laser beam.
CAUTION: Use of controls or adjustments or performance of procedures other than those specified herein may result in hazardous radiation exposure.
Connection, assembly and settings must only be performed by specialist staff.
Wiring work must only be performed when powered down.
Only connect and separate cables when powered down.
Only use shielded cables for data transfer. For suitable accessories, see the operating instructions.
A non-grounded supply voltage or potential differences between the supply voltage GND and the distance measuring device housing may result in the device sustaining damage: Only operate with a grounded supply voltage. Ensure low-impedance and current-carrying equipotential bonding.

Intended use

The distance measuring device DL100 Pro is an opto-electronic sensor which measures the distance to a reflector by time-of-flight principle. This measurement device is only intended for non-contact measurement of distances on a defined reflector target of linearly moving systems.

Non-intended use

DL100 Pro distance measuring device is no safety component pursuant to the EC machinery directive (2006/42/EC).

DL100 Pro distance measuring device must not be used in potentially explosive areas.

No modifications and conversions must be performed. All uses not described as intended use are forbidden.

Commissioning

- 1. Install alignment bracket and distance measuring device (Fig. A, steps 1 to 4)
2. Perform electrical connection (Fig. B).
- Place cable free of tension on the sensor's connector and tighten screw.
3. Install reflector at an inclination of around 1° to 3° in order to prevent direct surface reflection.
- Shiny surfaces that are parallel to the laser beam axis may cause beam switching or light scatter and lead to incorrect measurements as a result. Shiny surfaces may be rack profiles, pallets with stretch film, poles or rails, for example.
- When mounting the distance measuring device in the horizontal axis of stacker crane, incline the reflector towards the ceiling, away from the rail (Fig. C).
- When mounting in the vertical axis, incline away from the stacker crane's mast (Fig. D)
4. Align distance measuring device with reflector.
- Put distance measuring device and reflector at a small distance.
- Align the distance measuring device so that the light spot of the sensor hits the center of the reflector.
- Enlarge the distance between the distance measuring device and reflector. The sensor light spot must continue to hit the reflector's center.
- Check dampening. The dampening value must not exceed the value in the table.
5. Perform fine adjustment using the screw and spring system. (Fig. A, step 5)
6. The green LED PWR must be lit.

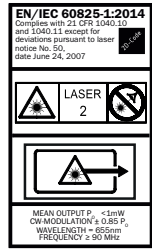
Maintenance

SICK sensors are maintenance-free. We recommend - cleaning the optical surfaces (lenses and reflectors) and - checking the screw and plug connections at regular intervals.

DEUTSCH

Entfernungsmessgerät DL100 Pro Quickstart

Zusätzlich zum Quickstart gibt es die ausführlichen Betriebsanleitungen für das Entfernungsmessgerät. Das Quickstart ersetzt die Betriebsanleitung nicht. Die Betriebsanleitungen können Sie über das Internet „www.sick.com/Dx100“ herunterladen. Des Weiteren können Sie hier die Gerätebeschreibungdatei (PROFINET IO: GSD-Datei, EtherNET/IP: EDS-Datei, EtherCAT: ESI-Datei) und das SOPAS Engineering Tool herunterladen.



EN/IEC 60825-1:2014 entspricht 21 CFR 1040.10 und 1040.11 außer bei Abweichungen gemäß Laserhinweis Nr. 50 vom 24. Juni 2007. Laserstrahlung - Nicht in den Lichtstrahl blicken - Laserklasse 2 (EN/IEC 60825-1:2014) Identische Laserklasse für Ausgabe EN/IEC 60825-1:2007 Laseraustrittsöffnung

- Sicherheitshinweise
Vor allen Arbeiten mit dem Entfernungsmessgerät das Quickstart lesen.
Verletzungsgefahr durch Laserstrahlung. Im Entfernungsmessgerät DL100 Pro ist ein Laser der Klasse 2 eingebaut. Durch direktes Blicken in den Laserstrahl können die Augen geschädigt werden. Nicht in den Laserstrahl blicken.
Anschluss, Montage und Einstellung nur durch Fachpersonal.
Verdrahtungsarbeiten nur im spannungslosen Zustand durchführen.
Leitungen nur im spannungslosen Zustand verbinden und trennen.
Für Datenübertragung nur abgeschirmte Leitungen verwenden. Geeignetes Zubehör finden Sie in der Betriebsanleitung.

SICK

8015070/ZQL2/2017-10/DR_8M

DL100 Pro PROFINET IO EtherNet/IP EtherCAT

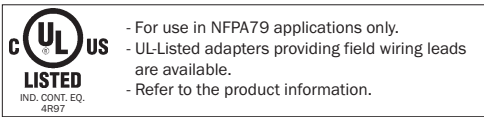


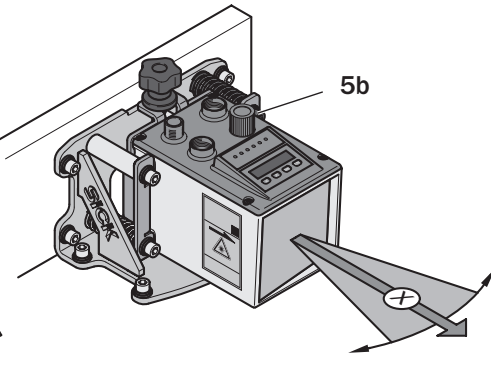
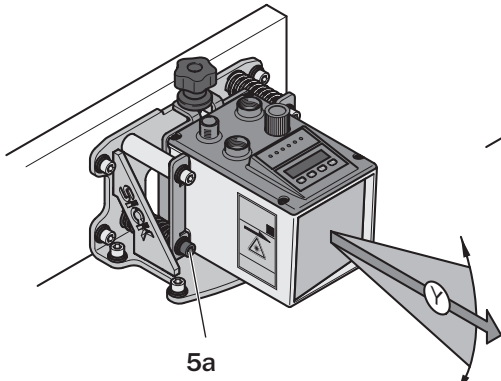
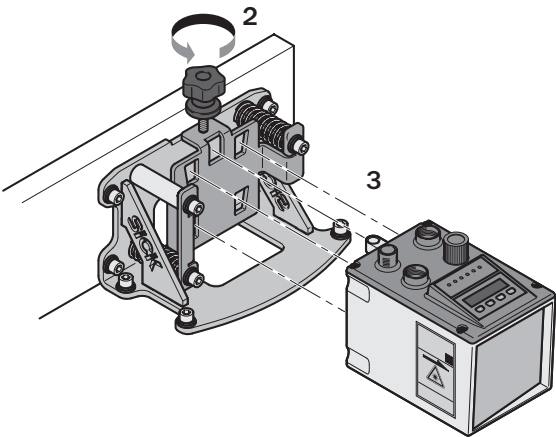
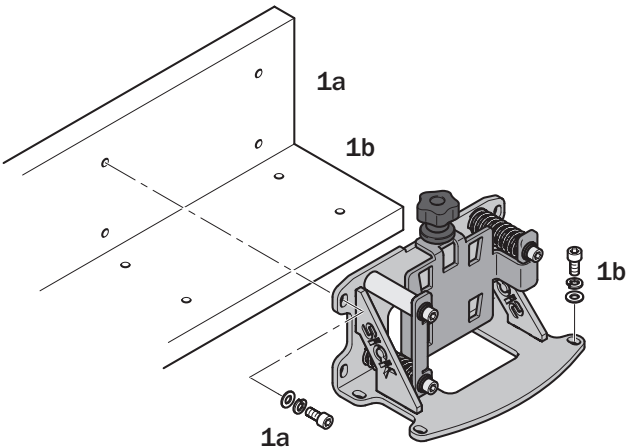
Table of international phone numbers for SICK AG, including Australia, Austria, Belgium, Brazil, Canada, Czech Republic, Chile, China, Denmark, Finland, France, Germany, Hong Kong, Hungary, India, Israel, Italy, Japan, Malaysia, Mexico, Netherlands, New Zealand, Norway, Poland, Romania, Russia, Singapore, Slovakia, Slovenia, South Africa, South Korea, Spain, Sweden, Switzerland, Taiwan, Thailand, Turkey, United Arab Emirates, United Kingdom, USA, and Vietnam.

Please find detailed addresses and further locations in all major industrial nations at www.sick.com

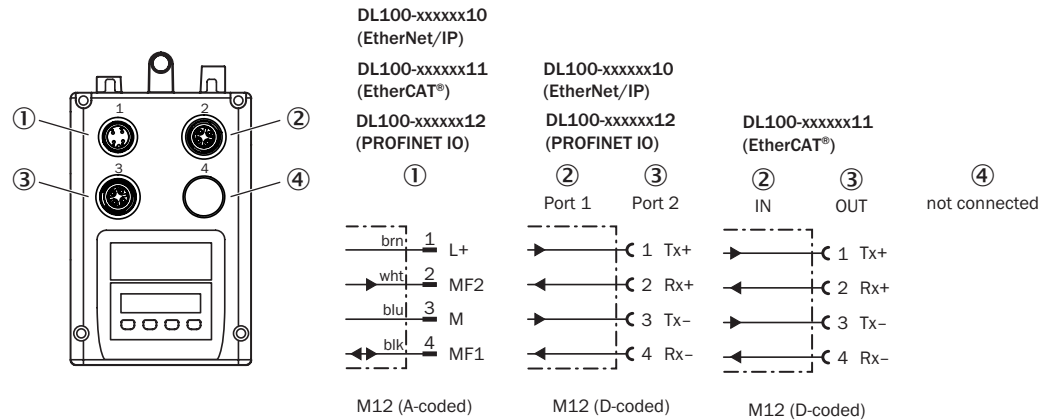
SICK AG | 79183 Waldkirch | Germany | www.sick.com

Subject to change without notice Irrtümer und Änderungen vorbehalten Sujet à modification sans préavis Alterações poderão ser feitas sem prévio aviso Sujeito a cambio sin previo aviso Contenuti soggetti a modifiche senza preavviso Wijzigingen en correcties voorbehouden 記載内容に誤記が含まれることがありますが 如有更改，不另行通知

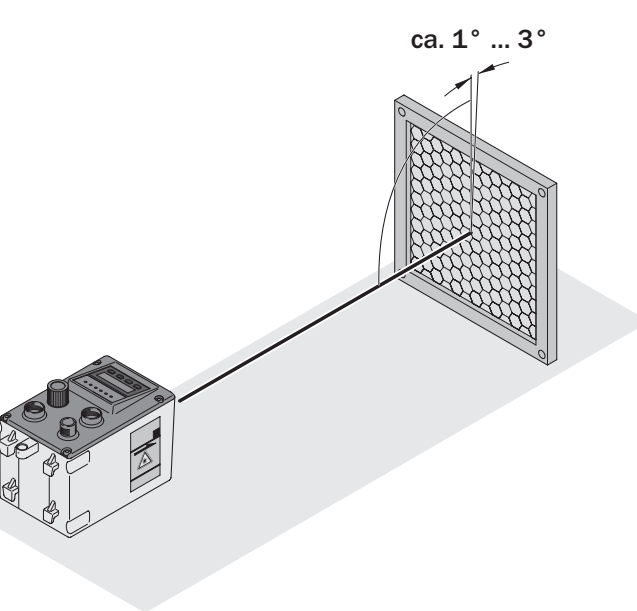
A



B



C



D

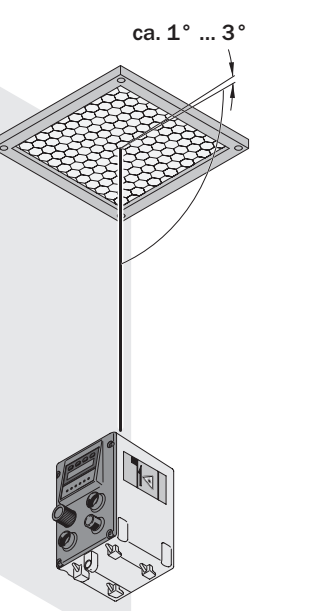


Table with 4 columns: [m], [dB], [dB], [dB]. It provides damping values for different distances and lists the damping value warning limit.

Large multilingual table with columns for en, de, fr, pt, it, nl, es, ja, zh. It contains technical specifications for measuring range, accuracy, repeatability, supply voltage, residual ripple, power consumption, multifunctional input/output, maximum output current, enclosure rating, protection class, ambient operating temperature, and statistical error.



