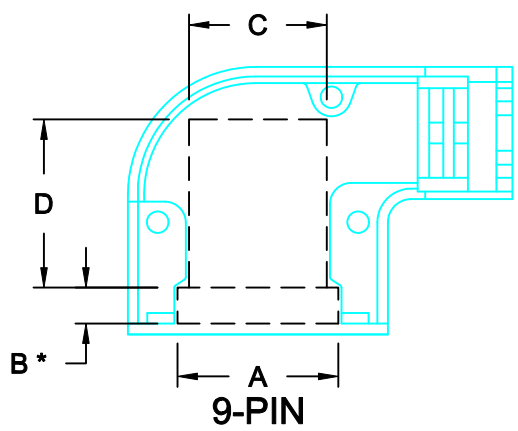


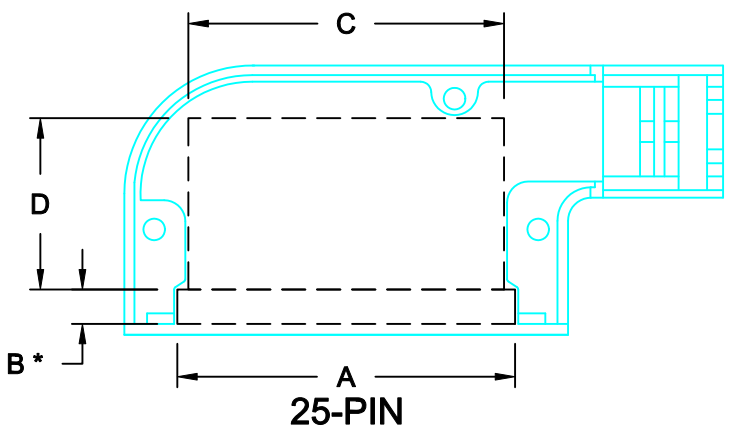
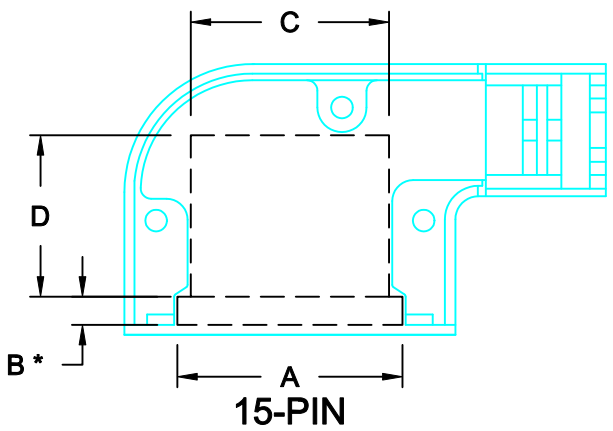
(SLIDELOCK OPTION)



NOTE: SEE PAGE 3 FOR THE 25 POSITION - 13MM CABLE ENTRY


	DIMENSIONS (IN.)		
	9	15	25
SEE NOTE 1. → A	0.767	1.073	1.610
B*	0.171	0.135	0.164
C	0.657	0.945	1.504
D	0.801	0.770	0.816
SEE NOTE 2. → PCB	0.454	0.449	0.451

- NOTE:
1. "B" DIMENSION MEASURED FROM BACK SIDE OF CONNECTOR FLANGE
 2. MIN. SAFE SPACING BETWEEN BACK SHELLS FOR PCB AND MOUNTED COMPONENTS
 3. THESE DIMENSIONS ARE GOOD FOR THE NICKEL PLATED DIE CAST BACK SHELLS



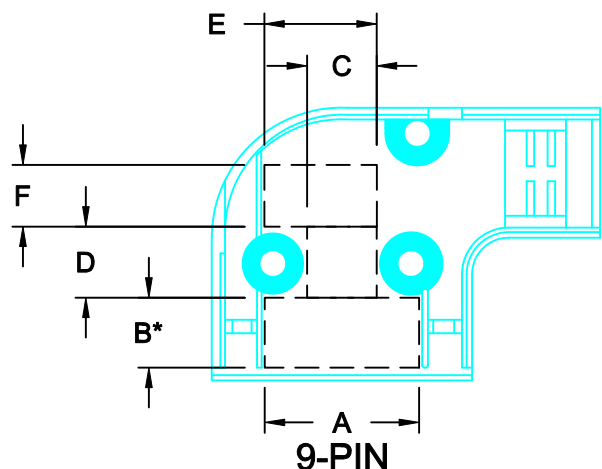
DIE CAST

RoHS COMPLIANT

	THESE DRAWINGS AND SPECIFICATIONS ARE THE PROPERTY OF NorComp AND SHALL NOT BE REPRODUCED, COPIED OR USED AS THE BASIS FOR THE MANUFACTURE OF SALE OF APPARATUS WITHOUT WRITTEN PERMISSION.		DRAWN: C. SMITH	DATE: 07-20-06
			CHECKED: X	DATE: X
NorComp		SCALE: N.T.S.	SHEET 1 OF 3	REV 1
		DWG NO. ID - 981 SERIES		

(THUMBSCREW OPTION)

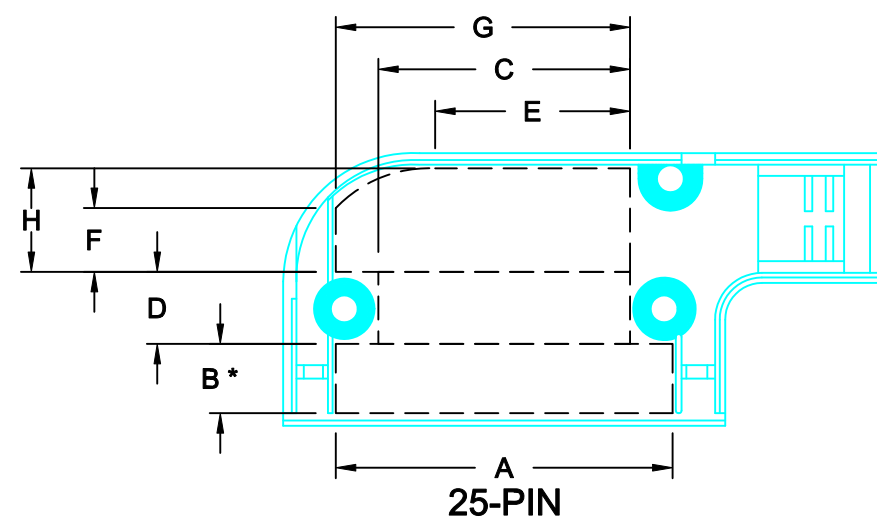
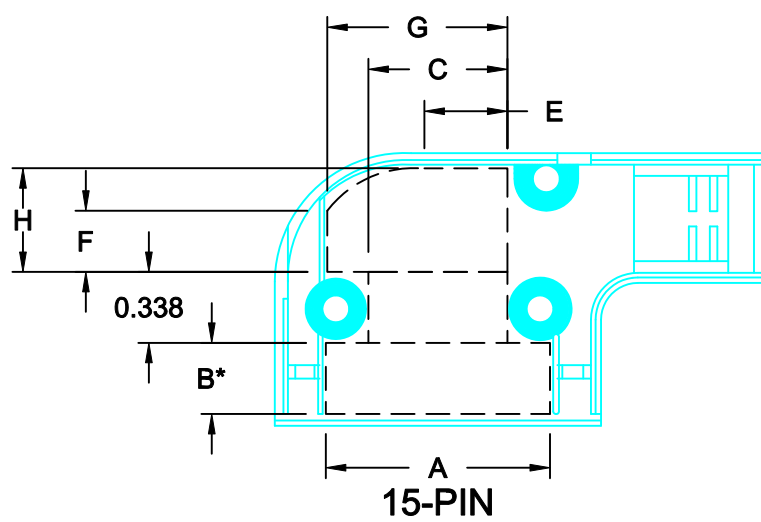
	DIMENSIONS (IN.)		
	9	15	25
A	0.735	1.068	1.605
B*	0.334	0.339	0.330
C	0.332	0.662	1.200
D	0.339	0.338	0.343
E	0.536	0.396	0.929
F	0.295	0.292	0.305
G		0.858	1.403
H		0.494	0.494
PCB	0.440	0.500	0.437




SEE NOTE 1. →

SEE NOTE 2. →

- NOTE:**
- "B" DIMENSION MEASURED FROM BACK SIDE OF CONNECTOR FLANGE
 - MIN. SAFE SPACING BETWEEN BACK SHELLS FOR PCB AND MOUNTED COMPONENTS
 - THESE DIMENSIONS ARE GOOD FOR THE NICKEL PLATED DIE CAST BACK SHELLS

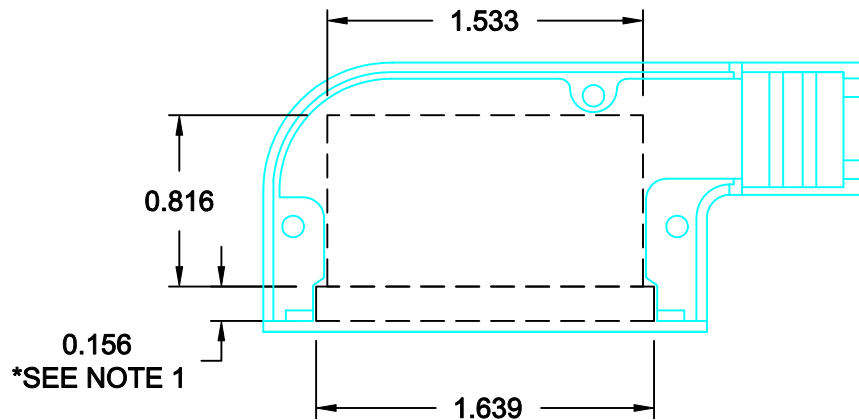


DIE CAST

	THESE DRAWINGS AND SPECIFICATIONS ARE THE PROPERTY OF NorComp AND SHALL NOT BE REPRODUCED, COPIED OR USED AS THE BASIS FOR THE MANUFACTURE OF SALE OF APPARATUS WITHOUT WRITTEN PERMISSION.		DRAWN: C. SMITH	DATE: 07-20-06
			CHECKED: X	DATE: X
<h1>NorComp</h1>		SCALE: N.T.S.	SHEET 2 OF 3	REV 1
		DWG NO. ID - 981 SERIES		

RoHS COMPLIANT

**(13MM CABLE ENTRY -
SLIDELOCK OPTION)**




**25-PIN
13 MM MAX. DIAMETER
BACKSHELL**

NOTE:

1. DIMENSION MEASURED FROM BACK SIDE OF CONNECTOR FLANGE
2. 0.451 inches IS THE MIN. SAFE SPACING BETWEEN BACK SHELLS FOR PCB AND MOUNTED COMPONENTS
3. THESE DIMENSIONS ARE GOOD FOR THE NICKEL PLATED DIE CAST BACK SHELLS

DIE CAST

RoHS COMPLIANT

	THESE DRAWINGS AND SPECIFICATIONS ARE THE PROPERTY OF NorComp AND SHALL NOT BE REPRODUCED, COPIED OR USED AS THE BASIS FOR THE MANUFACTURE OF SALE OF APPARATUS WITHOUT WRITTEN PERMISSION.		DRAWN: M. SIGMON	DATE: 11-29-11
			CHECKED: X	DATE: X
<h1>NorComp</h1>		SCALE: N.T.S.	SHEET 3 OF 3	REV 1
		DWG NO. ID - 981 25POS - 13MM DIAMETER		