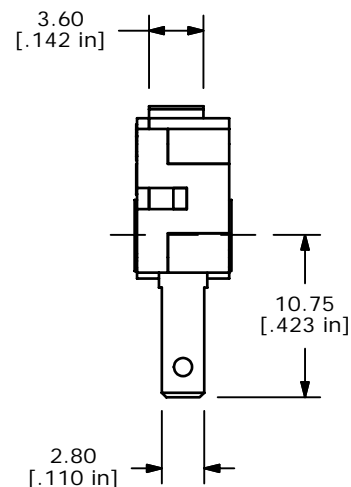
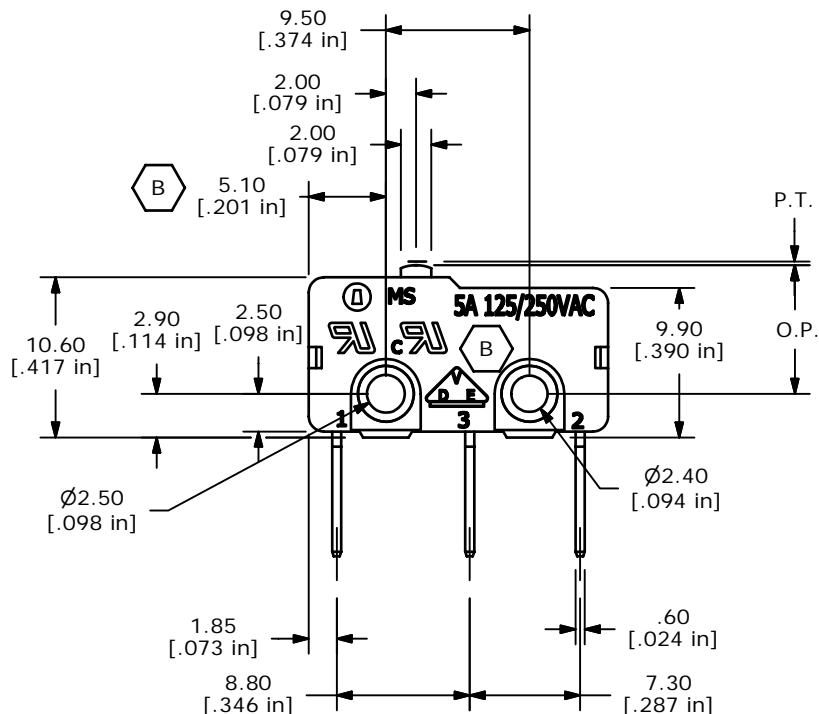
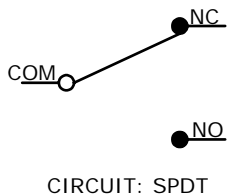


ISOMETRIC

O.P. (MM)	P.T. (MM)
8.5 ± 0.3	1.1 MAX.

O.P. = OPERATING POINT
P.T. = PRE-TRAVEL



NOTES:

1. ALL DIMENSIONS IN MM [INCH]
2. GENERAL TOLERANCE: X.X=± 0.4
X.XX=± 0.25
3. RATING: 5A @125/250VAC UL, CUL, VDE APPROVED
- ▲ 4. OPERATING FORCE: 150± 40 GRAMS
5. OPERATING TEMP: -25°C TO 85°C
6. ELECTRICAL LIFE: 50,000 CYCLES MIN.
7. MECHANICAL LIFE: 1,000,000 CYCLES TYP.
8. INSULATION RESISTANCE: 100 MEGA-OHMS
9. DIELECTRIC STRENGTH: 1000VAC 1 MINUTE (INITIAL VALUE)
10. CONTACT RESISTANCE: 100 MILLI-OHMS MAX.
11. ▲ DENOTES CRITICAL PARAMETER.
12. 2002/95/EC (ROHS) COMPLIANT



REV	PCR NO	DESCRIPTION	DATE	BY
B	15662	CHANGES NOTED	1/5/06	PH
A	15050	RELEASED FOR PRODUCTION	7/1/05	JB

TITLE MS0850500F150C1A				
SCALE 2:1	DATE 1/5/2006	DR JB	DWG Q970023	REV B

THE INFORMATION CONTAINED IN THIS DOCUMENT IS PROPRIETARY TO E-SWITCH AND IS NOT TO BE COPIED OR TRANSFERRED