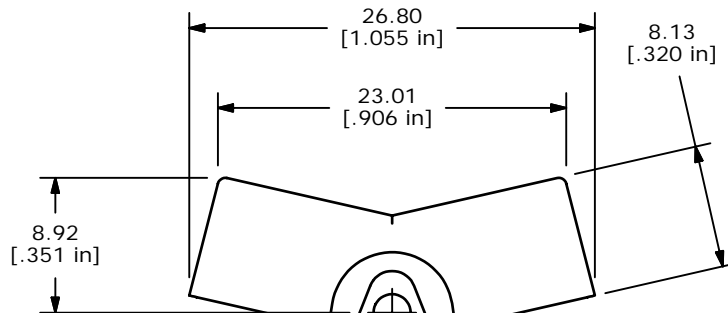
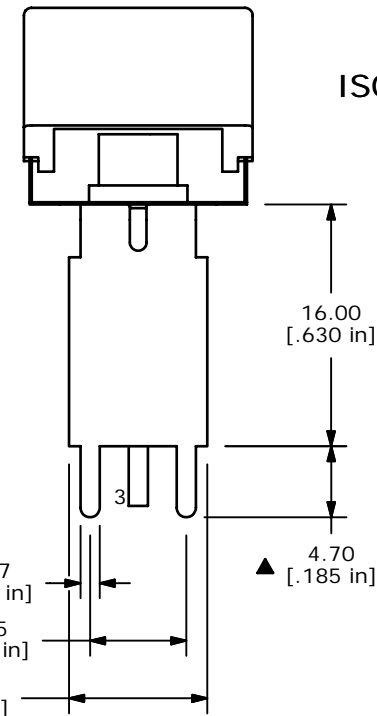
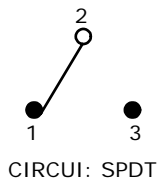


ISOMETRIC

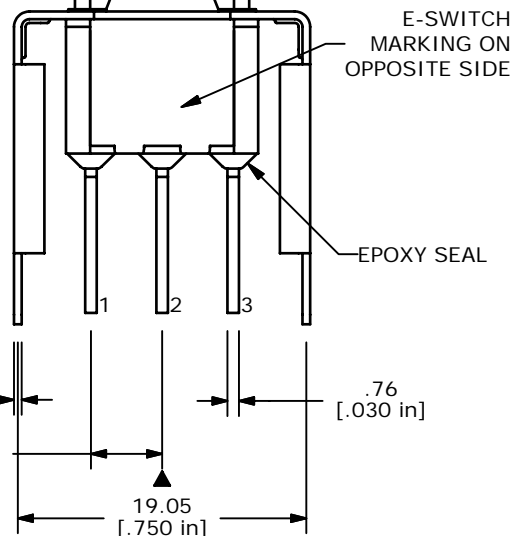


SWITCH FUNCTION		
POS. 1	POS. 2	POS. 3
ON	OFF	ON
2-3	OPEN	2-1



NOTE:

1. ALL DIMENSIONS IN MM [INCH]
2. GENERAL TOLERANCE: X.X=±0.4
X.XX=±0.25
3. TERMINAL NUMBERS FOR REF ONLY
- ▲4. PLATING MATERIAL: GOLD
5. RATING: 0.4 VOLTAMPS MAX. @20V MAX. AC OR DC
6. ELECTRIC LIFE: 40,000 make-and-break cycles at full load.
7. INSULATION RESISTANCE: 1,000 Mega-ohm min.
8. DIELECTRIC STRENGTH: 1,000 V RMS @sea level.
9. OPERATING TEMP.: -30°C to 85°C
- 10.▲DENOTES CRITICAL PARAMETER.
11. 2002/95/EC (ROHS) COMPLIANT



A	16981	RELEASED FOR PRODUCTION	2/12/2007	TN
REV	PCR NO	DESCRIPTION	DATE	BY

TITLE 300SP3J3BLKVS5RE				
SCALE	DATE	DR	DWG	REV
2:1	2/12/2007	TN	T311092	A

THE INFORMATION CONTAINED IN THIS DOCUMENT IS PROPRIETARY TO E-SWITCH AND IS NOT TO BE COPIED OR TRANSFERRED