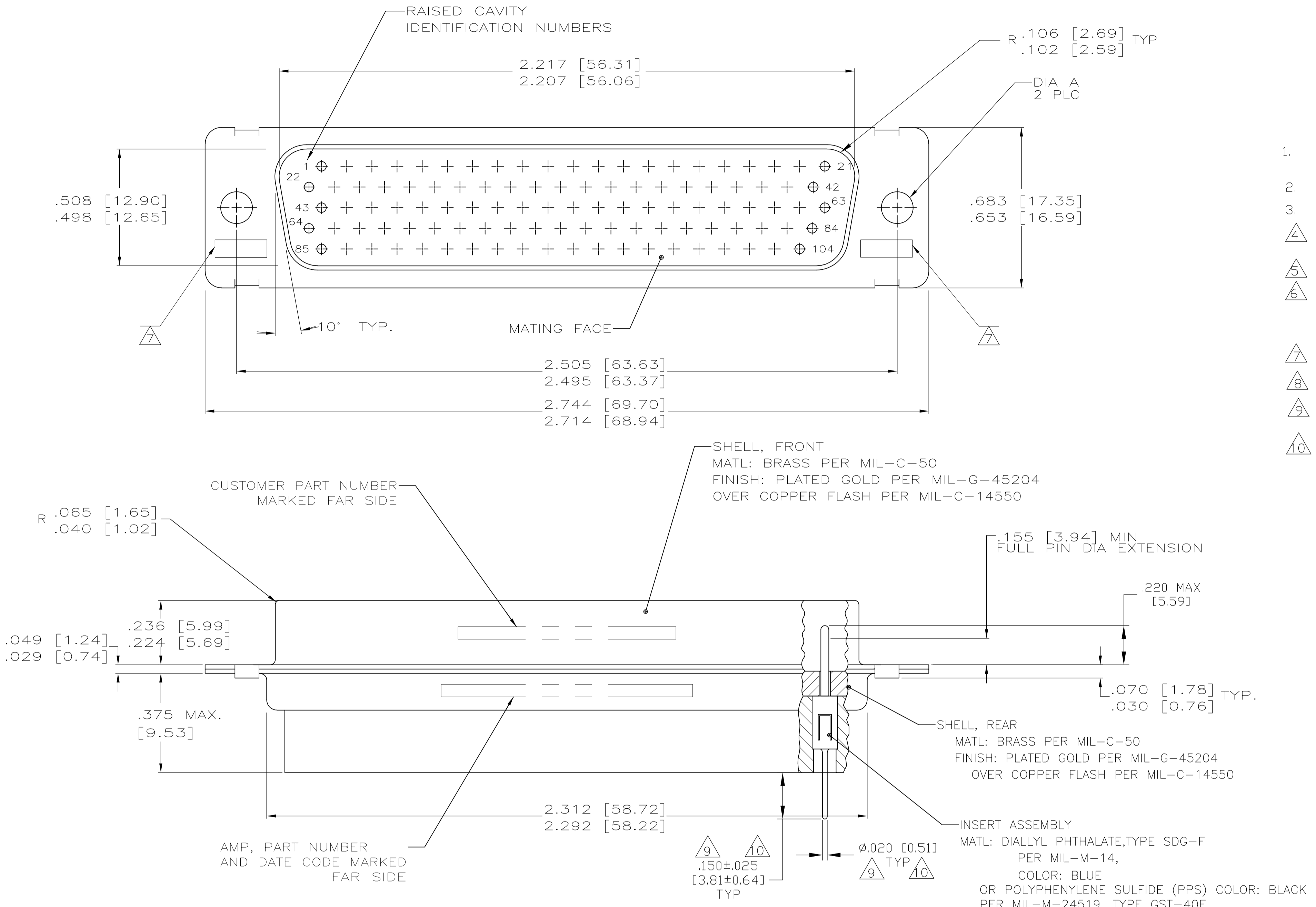
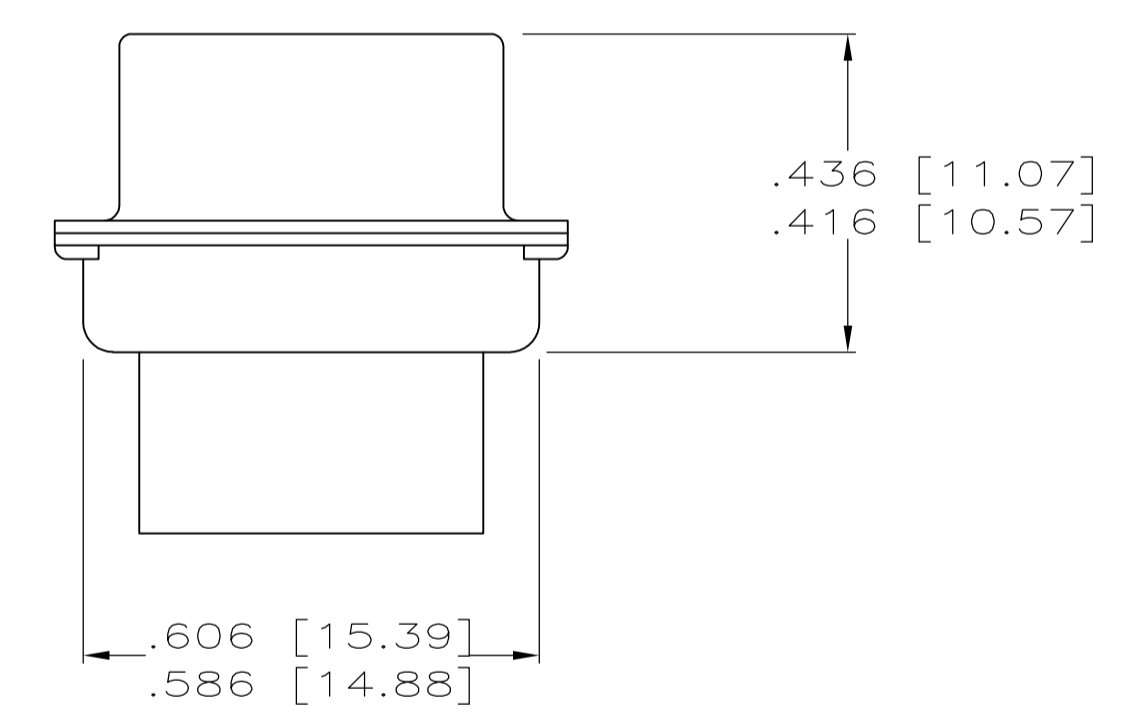


LOC		DIST		REVISIONS			
P	LTR	DESCRIPTION	DATE	DN	APVD		
Z		REVISED PER ECO-11-008108	6-9-11	CT	RL		



- THIS PLUG WILL MATE WITH ANY RECEPTACLE CONNECTOR WITH THE SAME INSERT ARRANGEMENT AS DEFINED BY MS14004-1.
  - MAXIMUM WIRE INSULATION USED WITH THIS PLUG IS .054 DIA.
  - Be-Cu RETENTION CLIPS ARE INCLUDED IN INSERTS.
- △ THESE CONNECTORS ARE QUALIFIED TO GODDARD SPACE FLIGHT CENTER SPECIFICATION S-311-P-4.
  - △ INSPECTION REQUIREMENTS PER R4383.
  - △ CONNECTOR SUPPLIED WITH 115 CONTACTS, PART NUMBER 204370-8. INSPECTION REQUIREMENTS PER R4383 WITHOUT TESTS FOR HIGH ALTITUDE DIELECTRIC WITHSTANDING VOLTAGE AS CALLED FOR IN TABLE II SCREENING AND TESTING.
  - △ UL/CSA DESIGNATION STAMPED IN THIS AREA, OPTIONAL.
  - △ RESTRICTED TO CAE ELECTRONICS ONLY.
  - △ CONNECTOR LOADED WITH POSTED CONTACTS, INSPECTION REQUIREMENTS PER GENERAL ELECTRIC DOCUMENT 20025720
  - △ CONNECTOR LOADED WITH POSTED CONTACTS, INSPECTION REQUIREMENTS PER LOCKHEED MARTIN DOCUMENT 20131204.



NUMBER 204370-8  
GSFC PART NUMBER G-08-P1  
(SUPPLIED WITH 206066-7  
AND 1-206066-0 ONLY)

10	.120 [3.05]	20131204P2104P	1-206066-5	1-206066-5
	.120 [3.05]	570566-12	1-206066-4	1-206066-4
9	.120 [3.05]	20025720P2104P	1-206066-0	1-206066-2
4/8	.120 [3.05]	311P407-6P-B-12	206066-4	1-206066-1
	.120 [3.05]	20025720P1104P	1-206066-0	1-206066-0
	.120 [3.05]	1622251-001	206066-9	206066-9
	.120 [3.05]	7636-11	206066-8	206066-8
6	.120 [3.05]	R4383P104P	206066-7	206066-7
5	.120 [3.05]	R4383P104P-2	206066-6	206066-6
	.120 [3.05]	SC81D139-056	206066-5	206066-5
4	.120 [3.05]	311P407-6P-B-12	206066-4	206066-4
	.154 [3.91]		206066-3	206066-3
4	.154 [3.91]	311P407-6P-B-15	206066-2	206066-2
	.120 [3.05]	R9259P104P	206066-1	206066-1

REMARKS	DIA A	MARKED CUSTOMER P/N	MARKED P/N	PART NUMBER
THIS DRAWING IS A CONTROLLED DOCUMENT.				
DIMENSIONS: INCHES		TOLERANCES UNLESS OTHERWISE SPECIFIED:		APVD: F. BALLEW III
0 PLC ± -		1 PLC ± -		NAME: PLUG, PIN CONTACTS
2 PLC ± -		3 PLC ± .005		HI-DENSITY HDD SERIES
4 PLC ± -		ANGLES ± 0°30'		HI-DENSITY HDD SERIES
MATERIAL SEE CALLOUTS		FINISH SEE CALLOUTS		SIZE: A1
		WEIGHT: -		CAGE CODE: 00779
		CUSTOMER DRAWING		SCALE: 4:1
		SHEET 1 OF 1		REV Z