

Customer Information Sheet

DRAWING No.: M80-25300XX & M80-25400XX SHT 5 OF 5

IF IN DOUBT - ASK

(C)

NOT TO SCALE

THIRD ANGLE PROJECTION

ALL DIMENSIONS IN mm

SPECIFICATION:

MATERIAL:
BERYLLIUM COPPER

FINISH (ALL OVER NICKEL):

45 = 0.3µ MIN GOLD
42 = 3µ MIN 100% TIN AND 0.3µ MIN GOLD,
SELECTIVE PLATE

MECHANICAL:

INSERTION FORCE = 2.8N MAX, 1.0N MIN
WITHDRAWAL FORCE = 1.8N MAX, 0.2N MIN
DURABILITY = 400 OPERATIONS

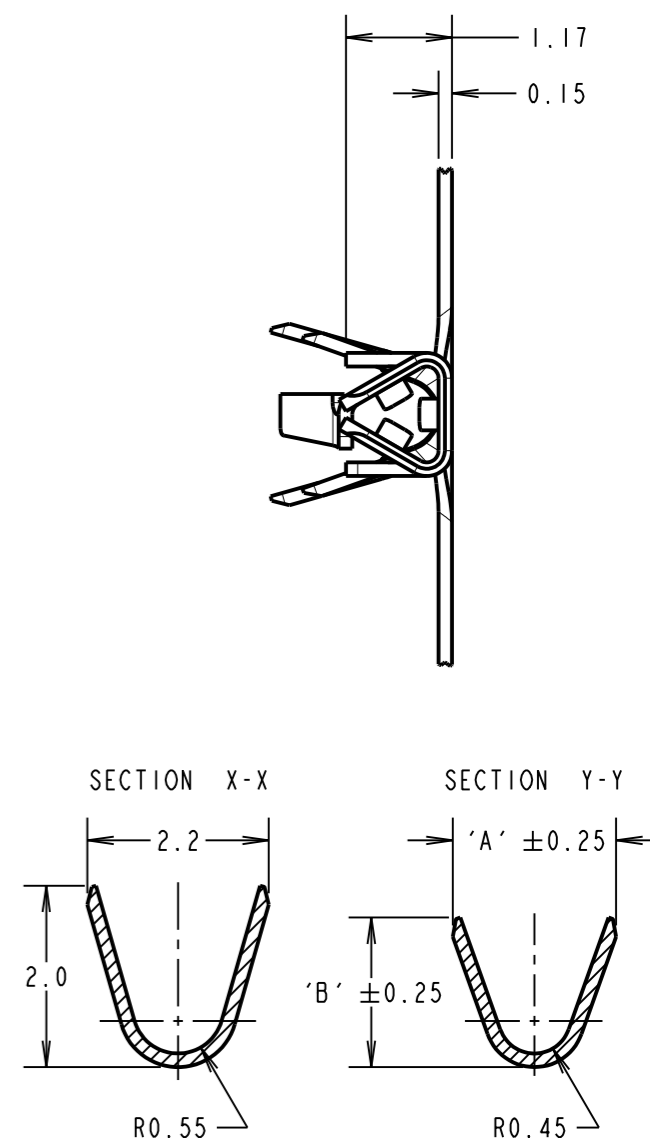
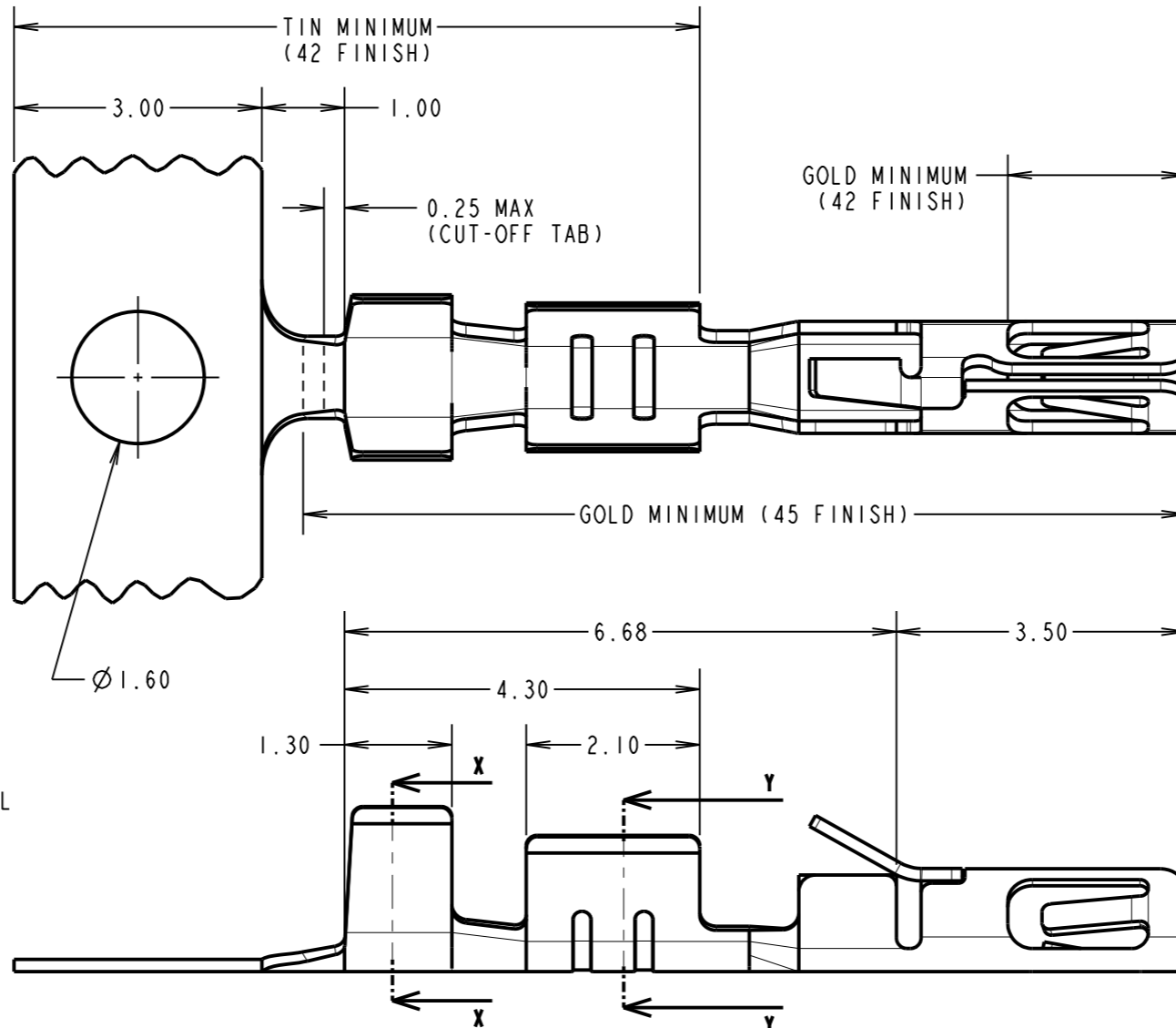
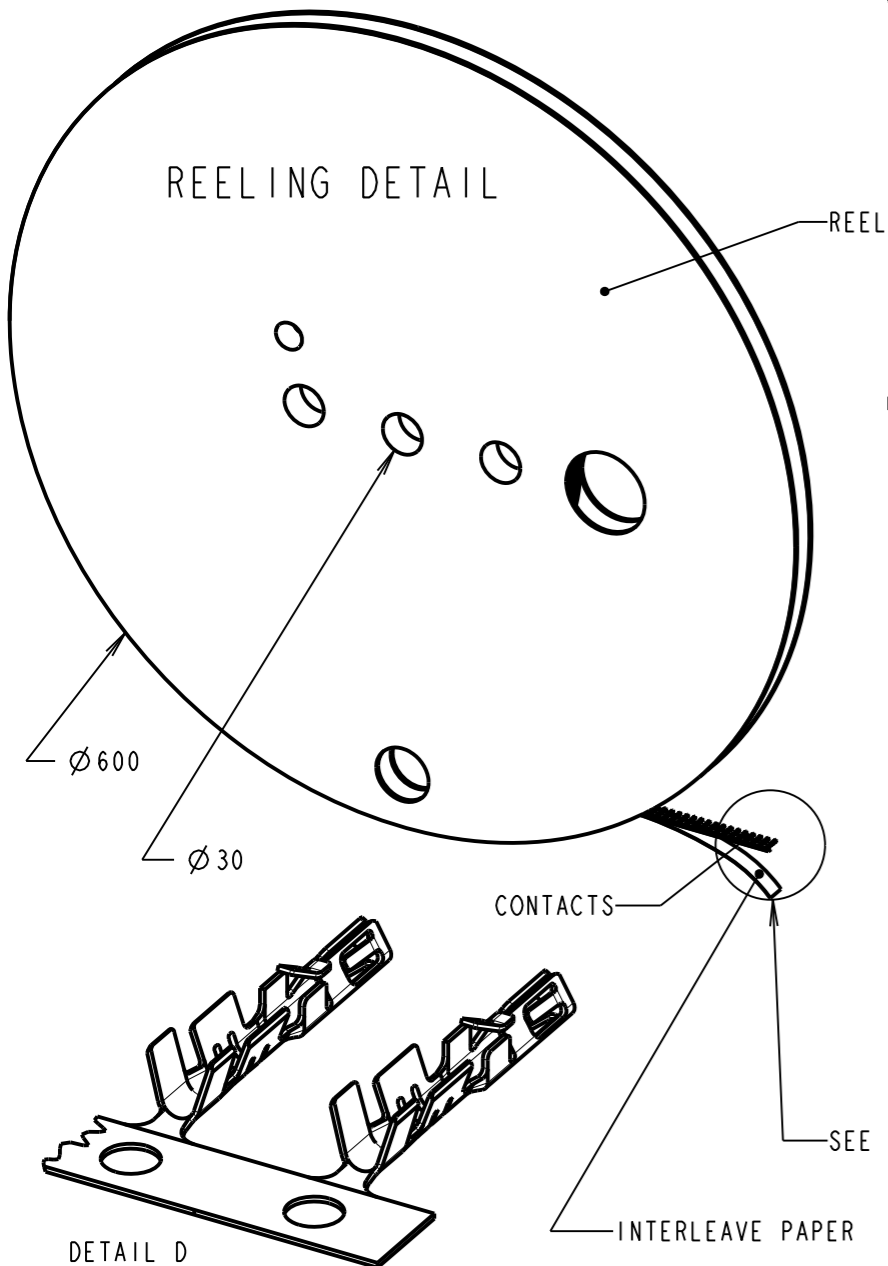
ENVIRONMENTAL:

OPERATING TEMPERATURE = -55°C TO +125°C

PACKING:

REEL (AS SHOWN), 15K/REEL

FOR COMPLETE CONNECTOR SPECIFICATION, SEE
COMPONENT SPECIFICATION C040XX (LATEST ISSUE)



NOTES:

- TO BE USED WITH THE FOLLOWING FEMALE HOUSING:
M80-454XX98 = HOUSING ONLY
M80-455XX98 = HOUSING + SLOTTED JACKSCREW
M80-456XX98 = HOUSING + HEX SOCKET JACKSCREW
M80-457XX98 = HOUSING + REVERSE FIX JACKSCREW
M80-458XX98 = HOUSING + GUIDE AND BOARD MOUNT
M80-459XX98 = HOUSING + 10ILOK JACKSCREWS
- RECOMMENDED WIRE TYPE = BS 3G 210 TYPE A,
WIRE 22-28 AWG, WIRE INSULATION Ø0.6mm-Ø1.1mm.
STRIP WIRE BY 2.7-3.0mm FOR CRIMPING.
- RECOMMENDED CRIMP HEIGHTS:
0.76-0.82mm FOR 22-24 AWG CONTACTS
0.50-0.56mm FOR 26-28 AWG CONTACTS
- SUITABLE FOR PROCESSING WITH LEFT SIDE
FEED CRIMPING PRESS.
CONTACT datamate@harwin.com FOR DETAILS.
- CONTACTS ARE AVAILABLE LOOSE, PART NUMBER
M80-28300XX FOR 24-22 AWG WIRE AND
M80-28400XX FOR 28-26 AWG WIRE, SUITABLE FOR
PROCESSING WITH HAND CRIMP TOOL Z80-255.

PART No.	DIMENSION	
	'A'	'B'
M80-25300XX	1.80	1.65
M80-25400XX	1.34	1.00

ORDER CODE:

M80-XXX00XX

WIRE SIZE:

253 = 24-22 AWG (0.22-0.34mm²)
254 = 28-26 AWG (0.08-0.12mm²)

FINISH:

45 = GOLD ALL OVER
42 = 100% TIN & GOLD SELECTIVE

MSP	6	05.11.14	12665
NAME	ISS.	DATE	C/NOTE
APPROVED: M. PERREN			
CHECKED: M. PLESTED			
DRAWN: B. M. KENT			
CUSTOMER REF.:			
ASSEMBLY DRG:			

HARWIN

www.harwin.com
technical@harwin.com

THIS DRAWING AND ANY
INFORMATION OR DESCRIPTIVE
MATTER SET OUT HEREON ARE
CONFIDENTIAL AND COPYRIGHT
PROPERTY OF THE HARWIN
GROUP AND MUST NOT BE
DISCLOSED, LOANED, COPIED
OR USED FOR MANUFACTURING,
TENDERING OR FOR ANY
OTHER PURPOSE WITHOUT
THEIR WRITTEN PERMISSION.

TOLERANCES

X. = ±1mm
X.X = ±0.25mm
X.XX = ±0.10mm
X.XXX = ±0.01mm
ANGLES = ±5°
UNLESS STATED

MATERIAL:

SEE ABOVE

FINISH: SEE ABOVE

S/AREA:

mm²

TITLE: DATAMATE TRIO-TEK
FEMALE CRIMP CONTACT REELED
24-22 AWG & 28-26 AWG

DRAWING NUMBER:

M80-25300XX & M80-25400XX

SHT
5 OF 5