



PRODUCT NUMBER  
20020619-XXXXXXLF

20020619- □ □ □ □ A 0 □ LF

PITCH  
M : 7.62 mm

POLES

02: 2 POLES  
03: 3 POLES  
04: 4 POLES  
:  
:  
16: 16 POLES

LF : DENOTED ROHS COMPATIBLE

1 : STANDARD PRODUCT  
W/ BOX PACKING

HOUSING CODE

CODE	COLOR	AVAILABILITY
1	GREEN(RAL 6018/T)	STANDARD
2	BLACK	ON REQUEST ONLY
3	GREY(RAL 7004/P)	ON REQUEST ONLY
4	BLUE(RAL 5015/A)	ON REQUEST ONLY

PROPERTY TABLE	
FCI SERIES NAME	07-762
PITCH (mm)	7.62
VOLTAGE RATING (VAC)	300
CURRENT RATING (A)	32
WITHSTANDING VOLTAGE (kV)	1.6
OPERATING TEMP. (°C)	-40~+115
SOLDERING TEMP. (°C)	250±10 (5 sec.)
POLES AVAILABLE	02~16
SAFETY CERTIFICATE	

NOTES:

- MATERIALS  
1-1 HOUSING: THERMALPLASTIC RESIN, UL 94V-0 RATED.  
1-2 TERMINAL: COPPER ALLOY, TIN PLATED.
- PRODUCTION SPECIFICATION REFER TO FCI GS-12-625.
- BOXED PACKAGING.  
DETAILED PRODUCT PACKING SPECIFICATION REFER TO FCI GS-14-1394.
- FCI, SAFETY CERTIFICATE LOGO AND SERIES NAME TO BE SHOWN ON PRODUCT SURFACE.
- THE PRODUCTS WHERE THE PART NUMBER END IN "LF" MEET THE EUROPEAN UNION DIRECTIVE AND OTHER COUNTRY REGULATIONS AS DESCRIBED IN GS-22-008.
- RECOMENDED SOLDERING PROCESS BY WAVE SOLDER.

mat'l. code		surface ASME Y14.5	tolerance ASME Y14.5	projection 	product family TERMINAL BLOCK
ltr	ecn no	dr	date	tolerances unless otherwise specified	title
A	T10-0062	WL	050710	angles X.±0.5[.020]	TERMINAL BLOCK PLUGGABLE, SOCKET, POWER, R/A W/FLANGE
B	T10-0155	WL	093010	X.X±0.3[.012]	
C	T10-0187	WL	121410	X'±1"	
D	T-004860	WL	080411	dr WENDY CHEN 042610	scale
				enr JASON HSU 042610	FCI logo
				chr GARY HSIEH 042610	
				appd JOSEPH HSIA 042610	
sheet index	revision sheet	D	D		dwg no 20020619
		1	2		sheet 1 of 2 size A4
					type CUSTOMER Drawing



PRODUCT NUMBER	SERIES NAME	PITCH
20020619-MXXXXXLf	07-762	7.62 mm

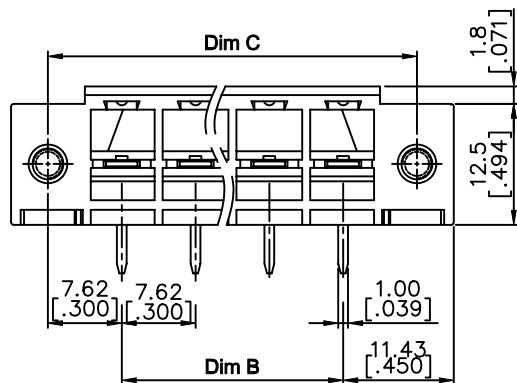
N = Number of poles

$$\text{Dim A} = (N-1) \times 7.62 [ .300 ] + 22.86 [ .900 ]$$

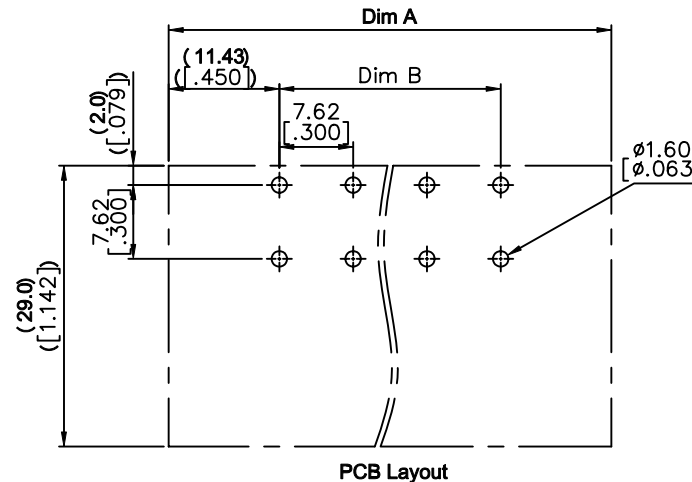
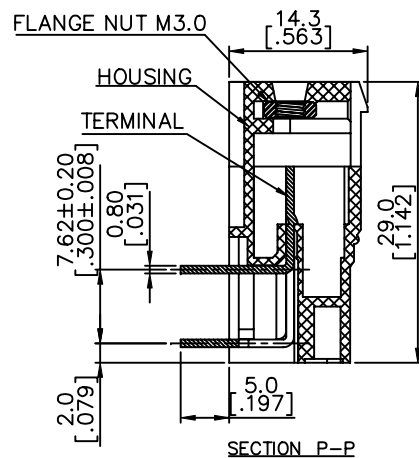
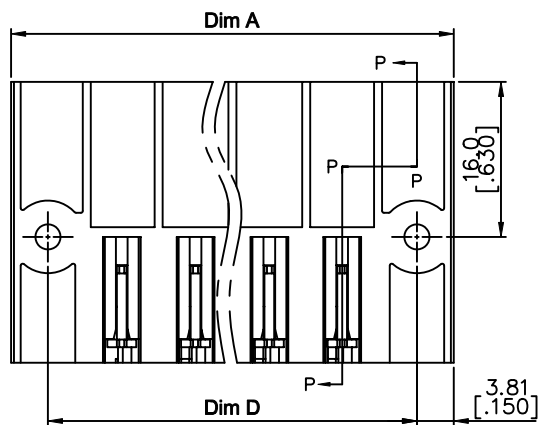
$$\text{Dim B} = (N-1) \times 7.62 [ .300 ]$$

$$\text{Dim C} = (N+1) \times 7.62 [ .300 ]$$

$$\text{Dim D} = (N+1) \times 7.62 [ .300 ]$$



Poles	tol.	Dim A	Dim B	Dim C	Dim D
2-4p		±0.15 [ .006 ]			
5-8p		±0.25 [ .010 ]			
9-12p		±0.35 [ .014 ]			
13-16p		±0.40 [ .016 ]			



mat'l. code		surface ASME Y14.5 ✓	tolerance ASME Y14.5	projection ⊕	product family TERMINAL BLOCK
ltr	ecn no	dr	date	title TERMINAL BLOCK PLUGGABLE, SOCKET, POWER, R/A W/FLANGE	
D		tolerances unless otherwise specified		MM INCH	sheet 2 of 2 size
angles		X.±0.5 [ .020 ]		scale	20020619 A4
lineal		X.X±0.3 [ .012 ]			
X°±1°		X.XX±0.1 [ .004 ]		FCI	type CUSTOMER Drawing
dr		WENDY CHEN	042610		
enr		JASON HSU	042610		
chr		GARY HSIEH	042610		
appd		JOSEPH HSIA	042610		
sheet index	revision sheet				