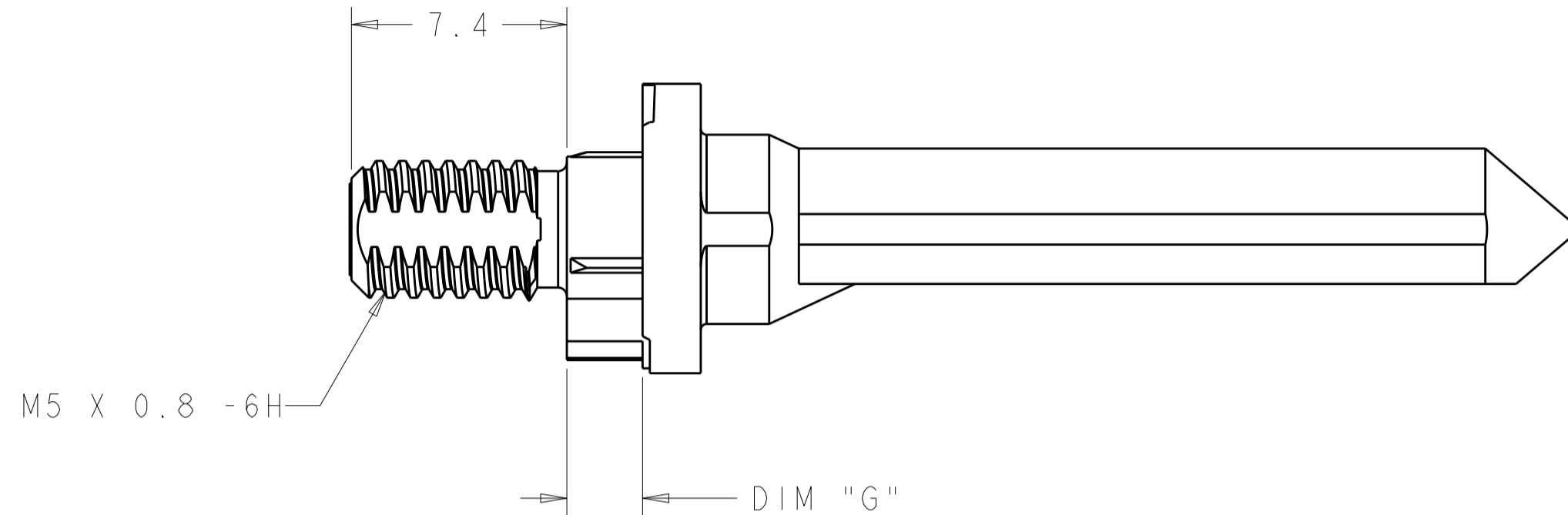
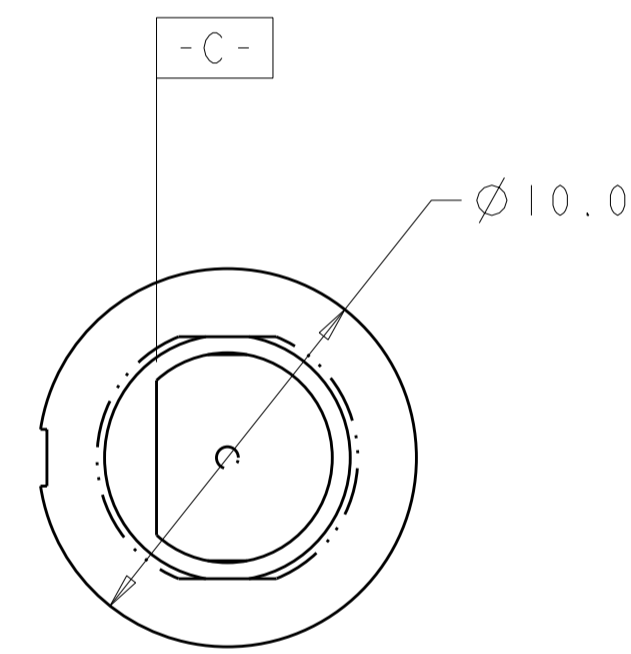
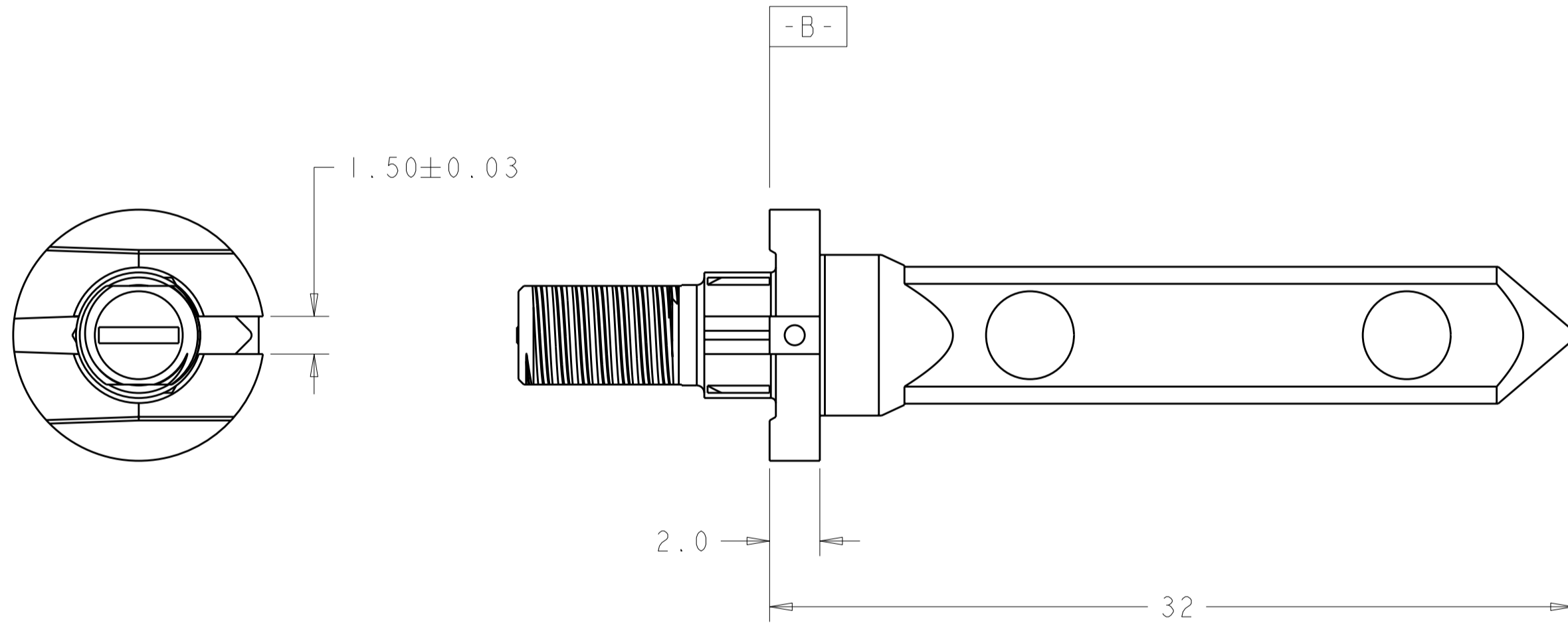


THIS DRAWING IS UNPUBLISHED. RELEASED FOR PUBLICATION 20
 © COPYRIGHT 20 BY TYCO ELECTRONICS CORPORATION. ALL RIGHTS RESERVED.

LOC		DIST		REVISIONS			
P	LTR	DESCRIPTION	DATE	DWN	APVD		
	CG	00					
A1		REV PER ECO-07-018424	04SEP2007	BC	GG		
A2		REVISED PER ECO-10-000445	25JAN2010	KK	HMR		



- 1 MATERIAL: ZINC ALLOY
- 2 FINISH: CHROMATE
- 3 KEY HOLE ORIENTATION (DIM A) PER MATING GUIDE MODULE PART NUMBER TABLE (ORIENTATION SHOWN ON PCB LAYOUT IS FOR 1410297-2)
- 4 OPTIONAL ANNULAR RING MAY BE PLATED AROUND GUIDE PIN MOUNTING HOLE ON BOTTOM SIDE OF BOARD
- 5 FINISH: NICKEL OVER COPPER
- 6 OBSOLETE PART NUMBER.
- 7 OBSOLETE PARTS: OBSOLETE CIS STREAMLINING PER D.RENAUD/D.SINISI



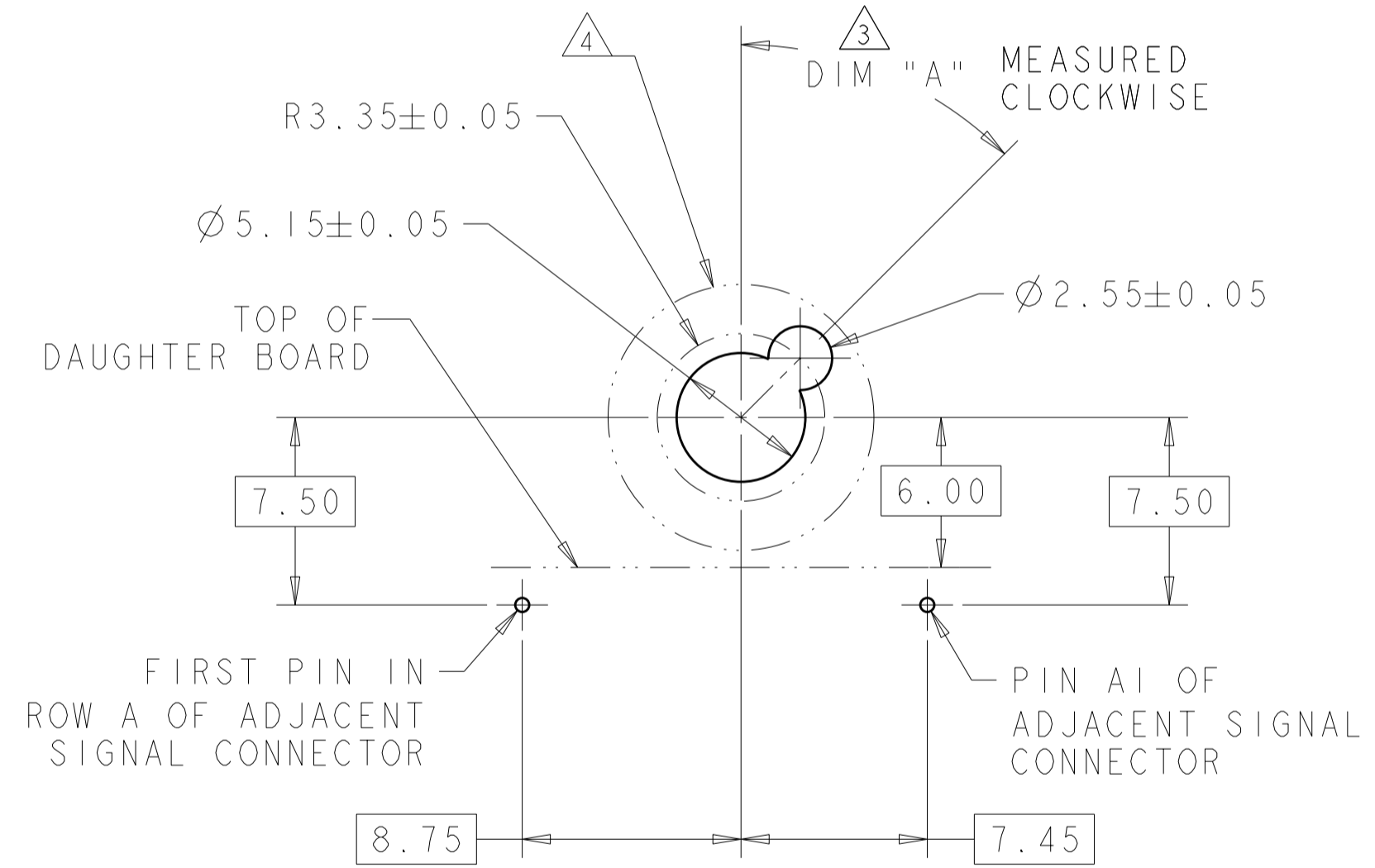
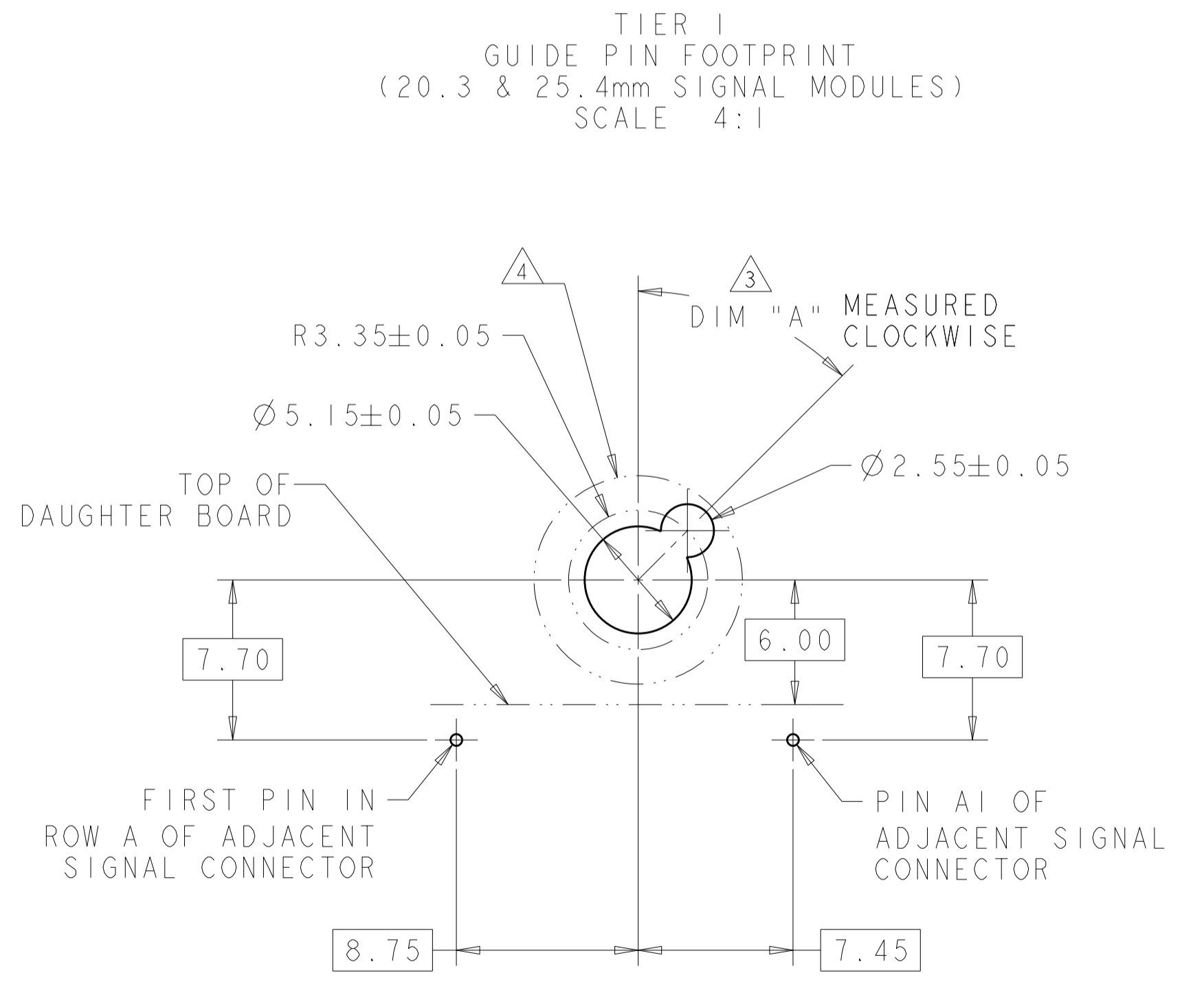
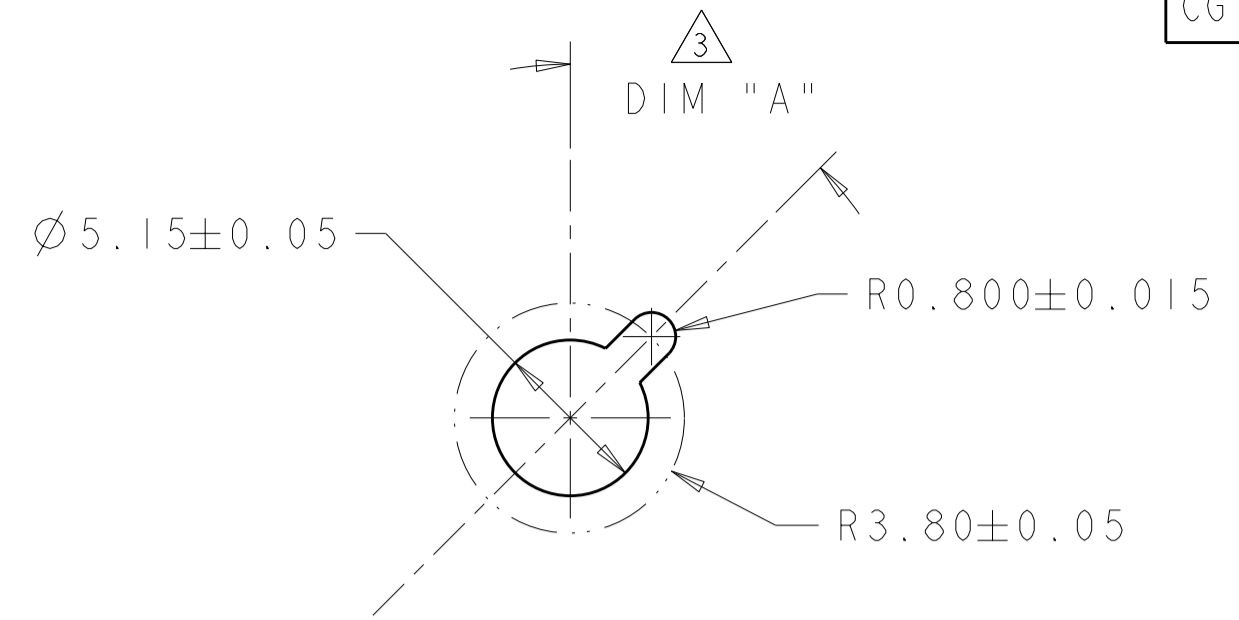
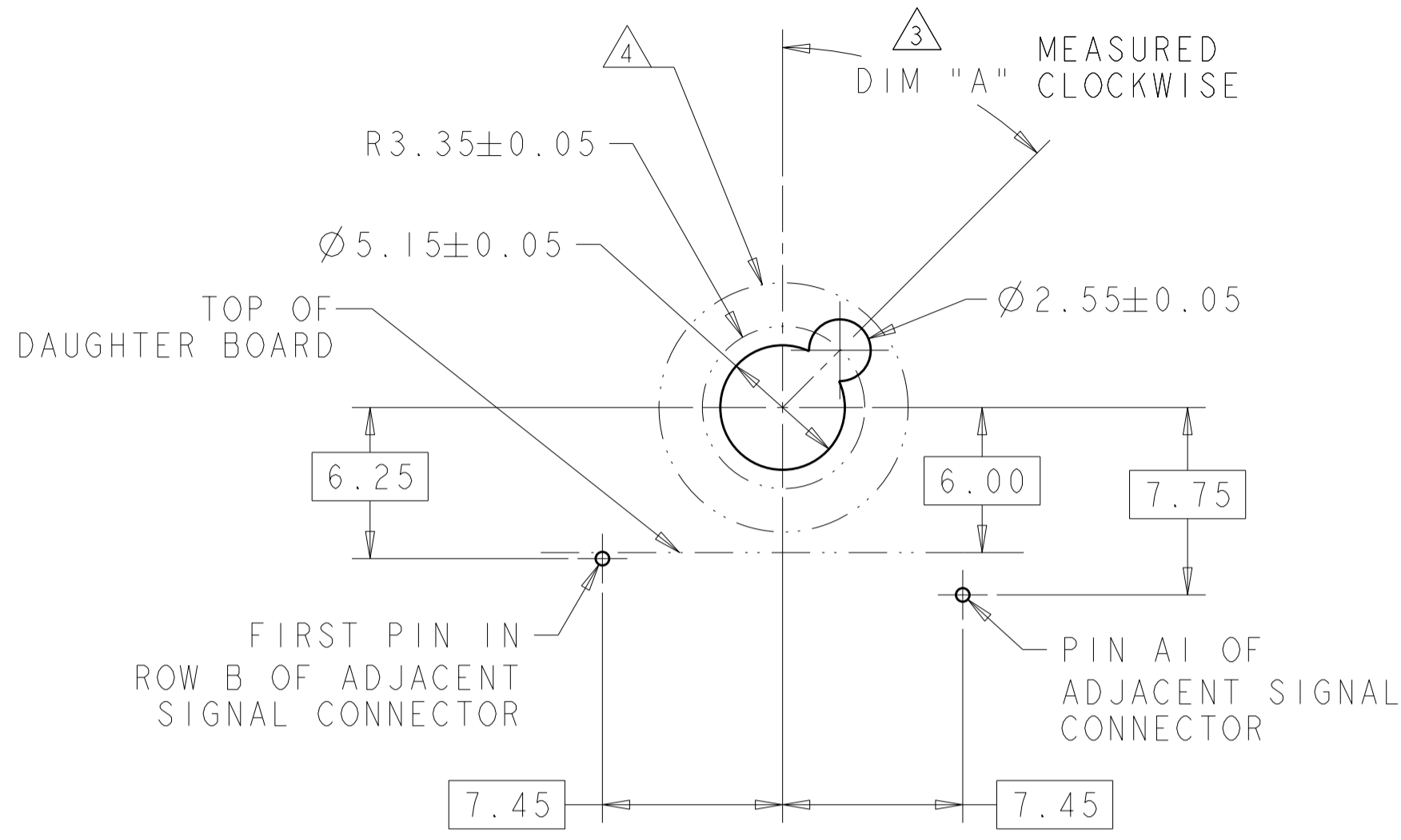
5	5.70	1-1410773-4
5	4.20	1-1410773-3
5	2.60	1-1410773-2
2	5.70	1410773-4
2	4.20	1410773-3
2	2.60	1410773-2
FINISH		PART NUMBER
DIM "G"		

7 SUPERSEDED BY 1-1410773-4
 SUPERSEDED BY 1-1410773-3
 SUPERSEDED BY 1-1410773-2

THIS DRAWING IS A CONTROLLED DOCUMENT FOR TYCO ELECTRONICS CORPORATION. IT IS SUBJECT TO CHANGE AND THE CONTROLLING ENGINEERING ORGANIZATION SHOULD BE CONTACTED FOR THE LATEST REVISION.		DWN E. MORANA 15 JAN 2003	Tyco Electronics Corporation Harrisburg, PA 17105-3608
DIMENSIONS: mm	TOLERANCES UNLESS OTHERWISE SPECIFIED: 0 PLC ± 1 PLC ±0.5 2 PLC ±0.1 3 PLC ±0.013 4 PLC ±0.0001 ANGLES ± FINISH	CHK G. GRIFFITH 04 MAY 2006 APVD G. GRIFFITH 04 MAY 2006 PRODUCT SPEC APPLICATION SPEC 114-13056 WEIGHT -	NAME KEYED GUIDE PIN, DIE CAST BACKPLANE CONNECTOR, MULTIGIG, THREADED POST SIZE A2 CAGE CODE 00779 DRAWING NO 1410773 RESTRICTED TO -
MATERIAL 1 - SEE TABLE	CUSTOMER DRAWING	SCALE 5:1	SHEET 1 OF 2 REV A2

THIS DRAWING IS UNPUBLISHED. RELEASED FOR PUBLICATION 20
 © COPYRIGHT 20 BY TYCO ELECTRONICS CORPORATION. ALL RIGHTS RESERVED.

LOC	DIST	REVISIONS					
CG	00	P	LTR	DESCRIPTION	DATE	DWN	APVD
		-		SEE SHEET 1			



5	-	1-1410297-9
5	315°	1-1410297-8
5	270°	1-1410297-7
5	225°	1-1410297-6
5	180°	1-1410297-5
5	135°	1-1410297-4
5	90°	1-1410297-3
5	45°	1-1410297-2
5	0°	1-1410297-1
2	-	1410297-9
2	315°	1410297-8
2	270°	1410297-7
2	225°	1410297-6
2	180°	1410297-5
2	135°	1410297-4
2	90°	1410297-3
2	45°	1410297-2
2	0°	1410297-1
FINISH	DIM "A"	20.3mm GUIDE MODULE

MATING GUIDE MODULE 3

THIS DRAWING IS A CONTROLLED DOCUMENT FOR TYCO ELECTRONICS CORPORATION. IT IS SUBJECT TO CHANGE AND THE CONTROLLING ENGINEERING ORGANIZATION SHOULD BE CONTACTED FOR THE LATEST REVISION.		DWN E. MORANA 15 JAN 2003	Tyco Electronics Corporation Harrisburg, PA 17105-3608	
DIMENSIONS: mm	TOLERANCES UNLESS OTHERWISE SPECIFIED: 0 PLC ± 1 PLC ±0.5 2 PLC ±0.1 3 PLC ±0.013 4 PLC ±0.0001	CHK -	NAME KEYED GUIDE PIN, DIE CAST BACKPLANE CONNECTOR, MULTIGIG, THREADED POST	
MATERIAL	FINISH	APVD -	PRODUCT SPEC -	RESTRICTED TO -
		APPLICATION SPEC -	WEIGHT -	SIZE A2
		CUSTOMER DRAWING	CAGE CODE 00779	DRAWING NO 1410773
		SCALE 1:1	SHEET 2	OF 2
			REV A2	