

# EC axial fan - ESM

sickle-shaped blades (S series), single-intake

ESM fan housing

## ebm-papst Mulfingen GmbH & Co. KG

Bachmühle 2 · D-74673 Mulfingen

Phone +49 7938 81-0

Fax +49 7938 81-110

info1@de.ebmpapst.com

www.ebmpapst.com

Limited partnership · Headquarters Mulfingen

Amtsgericht (court of registration) Stuttgart · HRA 590344

General partner Elektrobau Mulfingen GmbH · Headquarters Mulfingen

Amtsgericht (court of registration) Stuttgart · HRB 590142

## Nominal data

Type	W1G200-EA95-68	
Motor	M1G055-BD	
Phase		1~
Nominal voltage	VAC	115
Frequency	Hz	50/60
Method of obtaining data		ml
Speed	min <sup>-1</sup>	1300
Power consumption	W	10
Current draw	A	0.15
Min. ambient temperature	°C	-30
Max. ambient temperature	°C	50

ml = Max. load · me = Max. efficiency · fa = Free air · cs = Customer specification · ce = Customer equipment  
Subject to change



### Technical description

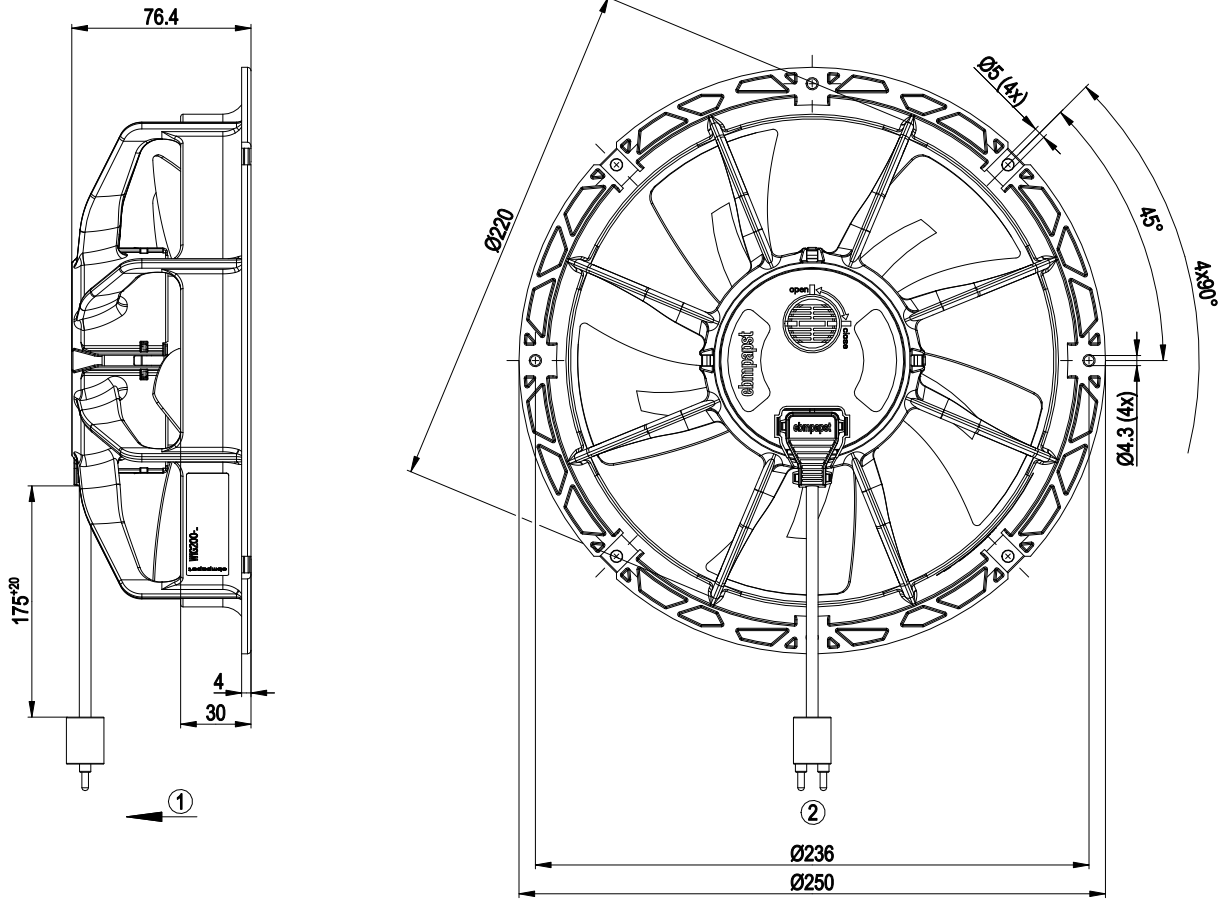
Weight	1 kg
Fan size	200 mm
Rotor surface	Painted black
Blade material	Sheet steel, painted black
Fan housing material	PP plastic
Number of blades	5
Direction of rotation	"V"
Degree of protection	IP54
Insulation class	"B"
Moisture (F) / Environmental (H) protection class	H1
Max. permitted ambient temp. for motor (transport/storage)	+ 80 °C
Min. permitted ambient temp. for motor (transport/storage)	- 40 °C
Installation position	Any
Condensation drainage holes	None
Mode	S1
Motor bearing	Ball bearing
Technical features	<ul style="list-style-type: none"> <li>- ESM+ expandable with plug-in module</li> <li>- Soft start</li> <li>- Thermal overload protection for motor</li> </ul>
Motor protection	Thermal overload protector (TOP) internally connected
With cable	Lateral
Protection class	II
Conformity with standards	EN 60335-1; EN 60335-2-24; EN 60335-2-80; EN 60335-2-89
Approval	CSA C22.2 No. 77; UL 1004-3

# EC axial fan - ESM

sickle-shaped blades (S series), single-intake

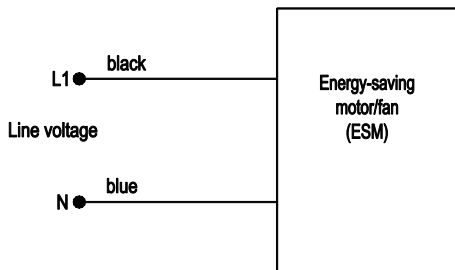
ESM fan housing

## Product drawing



- |   |  |
|---|--|
| 1 | Direction of air flow "V"  |
| 2 | Cable PVC AWG18, connector housing compatible with EMF Corporation P-2-1-075, 2x plug contact tyco 61013-2 |

## Connection diagram

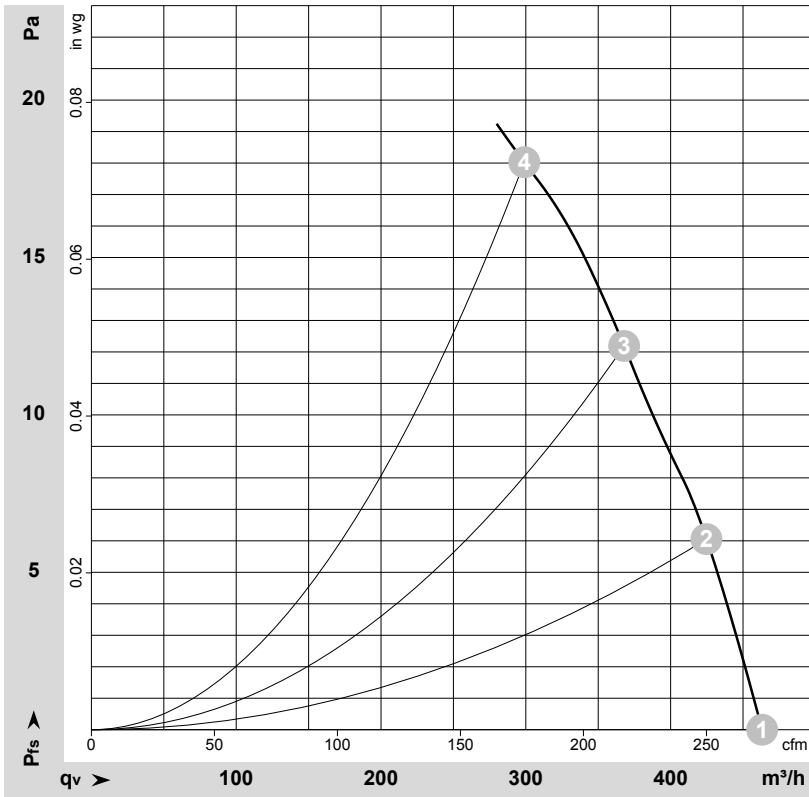


# EC axial fan - ESM

sickle-shaped blades (S series), single-intake

ESM fan housing

## Curves: Air performance 50 Hz



$\rho = 1.15 \text{ kg/m}^3 \pm 2 \%$

Measurement: LU-119238

Air performance measured according to ISO 5801 installation category A. For detailed information on the measurement setup, contact ebmpapst. Intake sound level: Sound power level according to ISO 13347 / sound pressure level measured at 1 m distance from fan axis. The values given are valid under the specified measuring conditions and may vary due to conditions of installation. For deviations from the standard configuration, the parameters have to be checked on the installed unit.

## Measured values

	U	f	n	P <sub>ed</sub>	I	qv	p <sub>fs</sub>
	V	Hz	min <sup>-1</sup>	W	A	m <sup>3</sup> /h	Pa
1	115	50	1300	8.0	0.12	465	0
2	115	50	1300	10.0	0.14	425	6
3	115	50	1300	10.0	0.15	370	12
4	115	50	1300	10.0	0.15	300	18

U = Power supply · f = Frequency · n = Speed · P<sub>ed</sub> = Power consumption · I = Current draw · qv = Air flow · p<sub>fs</sub> = Pressure increase

