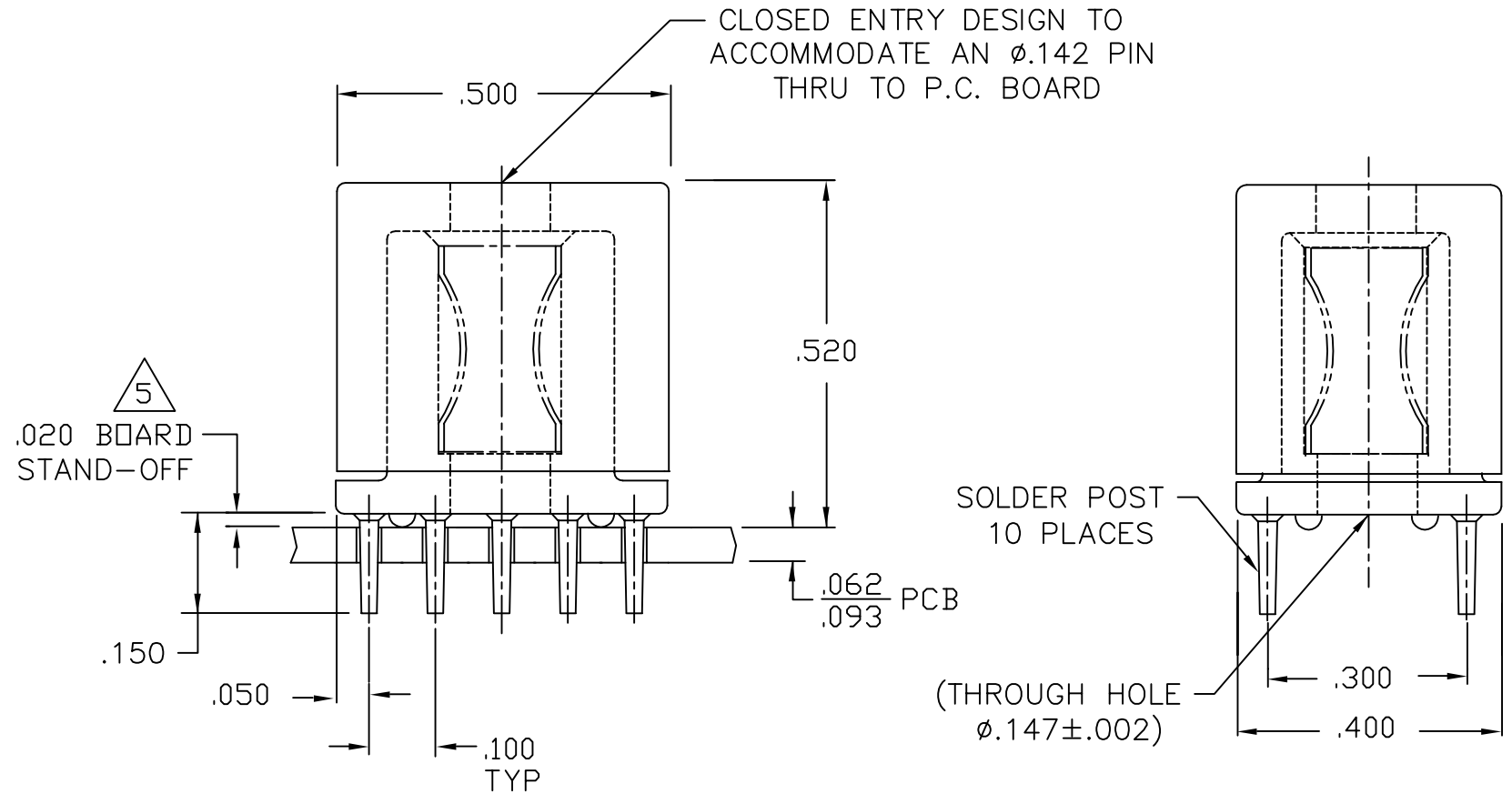
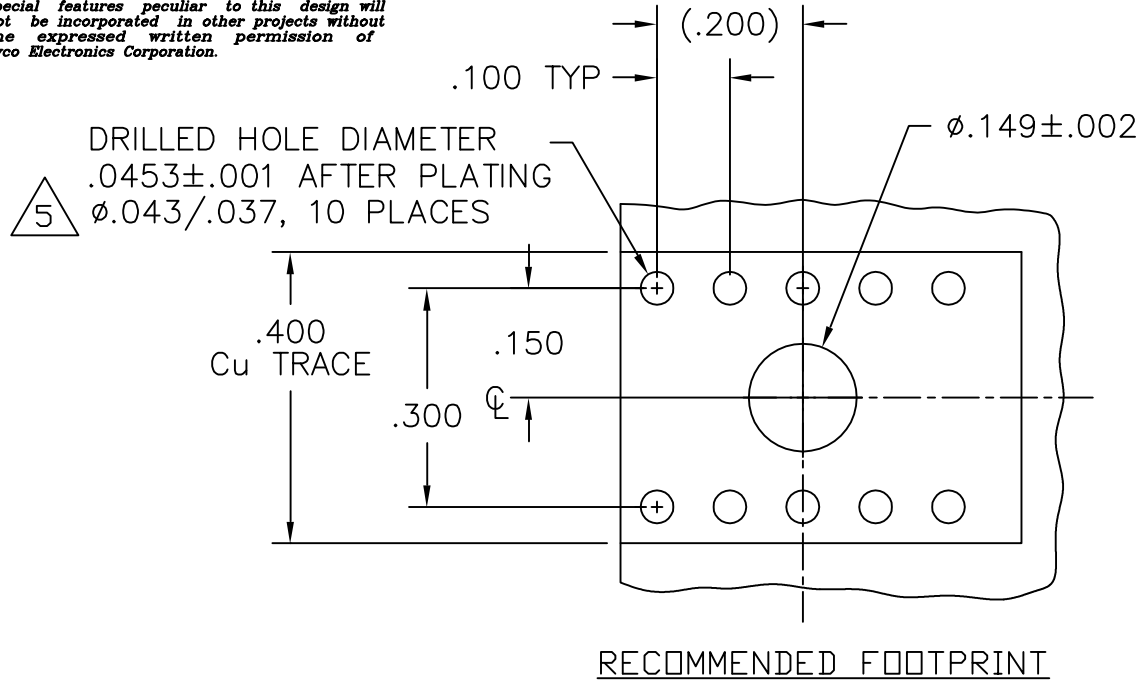


This drawing involves proprietary design rights of Tyco Electronics Corporation, and all design, manufacture, reproduction, use and sale rights regarding the same are expressly reserved. It is submitted for a specific purpose and the recipient by accepting this drawing, assumes custody and control and agrees to take reasonable precautions; (a) that this drawing will not be copied and reproduced, in whole or in part, or its contents revealed in any manner, or to any person except to meet the purpose for which it was delivered and (b) that any special features peculiar to this design will not be incorporated in other projects without the expressed written permission of Tyco Electronics Corporation.

REVISIONS

| EC | REV | DESCRIPTION | DATE |
|--------------|-----|---------------------------------------|----------|
| 3368 | A | NEW RELEASE | 03/09/92 |
| 7602 | B | ADDED ϕ .147 THRU HOLE DIMENSION | 10/12/95 |
| OS1Q-0074-03 | C | ADDED NOTE 5, FORCE SPEC | 03/07/03 |
| OS1Q-0016-05 | D | UPDATED DRAWING TO TYCO STD FORMAT | 01/18/05 |



6. REFERENCE ELCON PN 259-46-00500, TYCO PN 1643264-1.

5 A FIVE-POUND (5 lbs) FORCE IS REQUIRED TO CORRECTLY SEATED THE CONNECTOR WITH PLATED THRU HOLES LESS THAN ϕ 0.040 INCHES.

4. FINISHES:

- INSULATOR - AS MOLDED, COLOR BLACK.
- MODULE - SILVER PLATED.
- CROWN - GOLD PLATED.

3. MATERIALS:

- INSULATOR - POLYESTER, GLASS FILLED, UL 94 V-0 RATED OR EQUIV.
- MODULE - METAL CASTING.
- CROWN - BECU PER C17200.

2. ITEMS PROVIDED TO THIS SPECIFICATION SHALL BE IDENTIFIED ON CONTAINER WITH THE FOLLOWING INFORMATION: PART NUMBER AND DATE CODE OF MANUFACTURE.

1. PART NUMBER CHANGES AND/OR DESIGN CHANGES AFFECTING ITEM INTERCHANGEABILITY REQUIRE PRIOR ELCON APPROVAL AND AUTHORIZATION BY REVISION TO THIS DRAWING.

NOTES: UNLESS OTHERWISE SPECIFIED

| | | | | |
|---|---|---------------------------------|--|---|
| <p>INCH OR INCH (MM) MM</p> <p>THIRD ANGLE PROJECTION</p> <p>UNLESS OTHERWISE SPECIFIED DIMENSIONS ARE IN INCHES (METRIC)</p> <p>TOLERANCES</p> <p>ANGLES \pm .5°</p> <p>DECIMALS</p> <p>.XXX \pm .010 (.25)</p> <p>.XX \pm .02 (.3)</p> | <p>DRAWN T. FARLEY</p> | <p>DATE 10/09/01</p> | <p>tyco Tyco Electronics Corporation Electronics Menlo Park, Ca 94025</p> <p>ELCON</p> | |
| | <p>CHECKED</p> | | | <p>TITLE</p> <p>ICCON SOCKET, SIZE #8, PERPENDICULAR WITH THRU HOLE, 10 PIN FOOTPRINT PN: 259-46-00500</p> |
| | <p>APPROVED</p> | | | <p>SIZE DWG NUMBER</p> <p>B C-1643264</p> |
| | <p>APPROVED D. CHAU</p> <p>DCA APPROVED M. ALIM</p> <p>ACAD FILE NUMBER C1643264D.DWG</p> | <p>01/18/05</p> <p>01/18/05</p> | | <p>REV. D</p> |
| | | | <p>DWG SCALE 4=1 SH 1 OF 1</p> | |