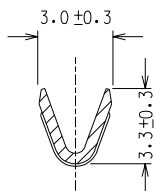
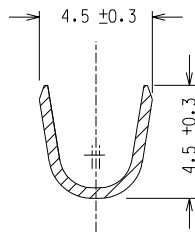


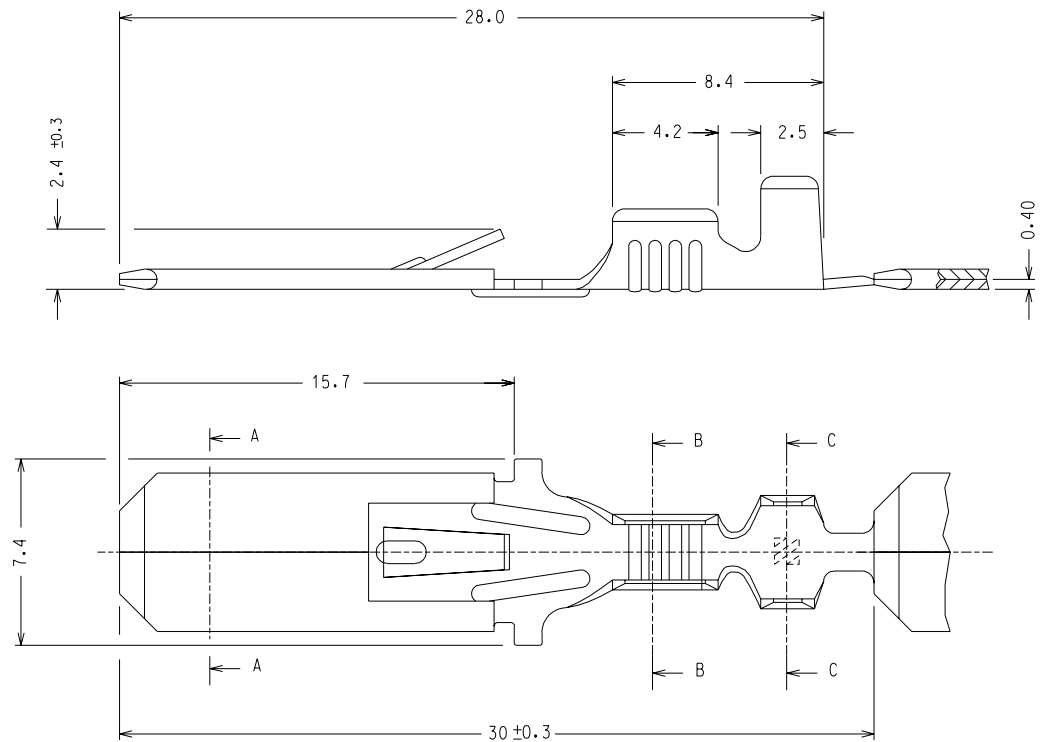
SECTION A - A



SECTION B - B



SECTION C - C



CODICE P/N	MATERIALE MATERIAL	FINITURA PLATING	NOTE NOTE
94030-4070	OTTONE	GREGGIO/ PLAIN	/
94030-4071	BRASS	STAGNATO/ TIN	/
94030-4072	BRONZO FOSF.	GREGGIO/ PLAIN	/
94030-4073	PHOSPH. BRONZE	STAGNATO/ TIN	/
94030-4079	OTTONE/ BRASS	GREGGIO/ PLAIN	AVVOLTO CON CARTA INTERMEDIA WOUND WITH INTERLEAF PAPER

A2 ECN Z6-117 05-04-96 S.L.
Aggiunto codice 94030-4079

A1 ECN Z3-169 25-11-93 G.F.
Aggiunto nervatura su dentino

A LTR ECN Z0-004 G.F.
10-01-90

REVISIONS

DIMENSIONS SHOWN (METRIC) INCH	
UNLESS OTHERWISE SPECIFIED TOLERANCES: ANGULAR ± 0.2	
INCH	(METRIC)
3 PLACE ±	
2 PLACE ±	± 0.1
1 PLACE	± 0.2

DESIGN DIMENSION (PRIMARY)	<input type="checkbox"/> (MM)	<input type="checkbox"/> IN
EQUIVALENT DIMENSION (SECONDARY)	<input type="checkbox"/> (MM)	<input type="checkbox"/> IN.

DRWG BY

Gottardo

CHK'D BY

APP'D BY

Previato

SCALE

5 : 1

REVISE ONLY ON CAD SYSTEM

SH. REV.

CAD/CAM FILENAME
CAD FILE 030407XS

THIS DRAWING CONTAINS INFORMATION THAT IS PROPRIETARY TO
MOLEX INC AND SHOULD NOT BE USED WITHOUT WRITTEN PERMISSION

TITLE

TERMINALE MASCHIO DA 6.3 x 0.8

MALE TERMINAL 6.3 x 0.8

SEZ. RAME/ WIRE RANGE: 0.5-1.0 mm² - ISOLANTE/ INS. RANGE: Ø 2.0-3.3 mm

MOLEX MOLEX INCORPORATED

SHEET NO. DATE
1 / 1 09-01-90

PART NO.

VEDI
SEE

TABELLA
CHART

DWG NO.

94030-407X SD

SIZE

B