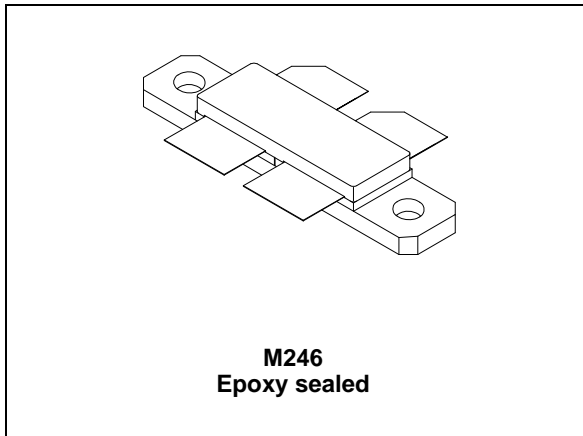


## 180 W, 32 V Wideband LDMOS transistor

Datasheet - target specification



### Features

- Excellent thermal stability
- Common source configuration push-pull
- $P_{OUT} = 180\text{ W}$  with 19 dB gain @ 860 MHz
- BeO-free package

### Description

The LET9180 is a common source n-channel enhancement-mode lateral field-effect RF power transistor designed for broadband commercial and industrial applications at frequencies up to 2 GHz.

Figure 1. Pin connection

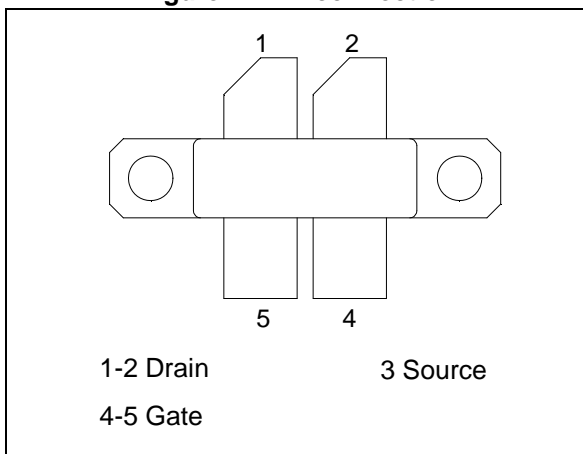


Table 1. Device summary

Order code	Packaging	Branding
LET9180	M246	LET9180

# Contents

<b>1</b>	<b>Electrical data</b> .....	<b>3</b>
	1.1 Maximum ratings .....	3
	1.2 Thermal data .....	3
<b>2</b>	<b>Electrical characteristics</b> .....	<b>4</b>
	2.1 Static .....	4
	2.2 Dynamic .....	4
<b>3</b>	<b>Impedance data</b> .....	<b>5</b>
<b>4</b>	<b>Typical performances</b> .....	<b>6</b>
<b>5</b>	<b>Package mechanical data</b> .....	<b>7</b>
<b>6</b>	<b>Revision history</b> .....	<b>9</b>

# 1 Electrical data

## 1.1 Maximum ratings

Table 2. Absolute maximum ratings ( $T_{CASE} = 25\text{ °C}$ )

Symbol	Parameter	Value	Unit
$V_{(BR)DSS}$	Drain-source voltage	80	V
$V_{GS}$	Gate-source voltage	- 10 / + 15	V
$I_D$	Drain current	24	A
$P_{DISS}$	Power dissipation	318	W
$T_J$	Max. operating junction temperature	200	°C
$T_{STG}$	Storage temperature	-65 to +150	°C

## 1.2 Thermal data

Table 3. Thermal data

Symbol	Parameter	Value	Unit
$R_{thJC}$	Junction - case thermal resistance	0.55	°C/W

## 2 Electrical characteristics

$T_{CASE} = +25\text{ }^{\circ}\text{C}$

### 2.1 Static

Table 4. Static (per section)

Symbol	Test conditions	Min	Typ	Max	Unit
$V_{(BR)DSS}$	$V_{GS} = 0, I_{DS} = 10\text{ mA}$	80			V
$I_{DSS}$	$V_{GS} = 0, V_{DS} = 28\text{ V}$			1	$\mu\text{A}$
$I_{GSS}$	$V_{GS} = 5\text{ V}, V_{DS} = 0$			1	$\mu\text{A}$
$V_{GS(Q)}$	$V_{DS} = 28\text{ V}, I_D = 100\text{ mA}$	2.0		5.0	V
$V_{DS(ON)}$	$V_{GS} = 10\text{ V}, I_D = 3\text{ A}$		0.8	1.2	V
$G_{FS}$	$V_{DS} = 10\text{ V}, I_D = 3\text{ A}$	2.5			mho
$C_{ISS}$	$V_{GS} = 0, V_{DS} = 32\text{ V}, f = 1\text{ MHz}$		70		pF
$C_{OSS}$	$V_{GS} = 0, V_{DS} = 32\text{ V}, f = 1\text{ MHz}$		36		pF
$C_{RSS}$	$V_{GS} = 0, V_{DS} = 32\text{ V}, f = 1\text{ MHz}$		0.9		pF

### 2.2 Dynamic

Table 5. Dynamic ( $V_{DD} = 32\text{ V}, I_{DQ} = 500\text{ mA}$ )

Symbol	Test conditions	Min	Typ	Max	Unit
$P_{OUT}$	$f = 860\text{ MHz}, P_{IN} = 3\text{ W}$	150	175	-	W
$G_{PS}$	$P_{OUT} = 180\text{ W}, f = 860\text{ MHz}$	18	20		dB
$\eta_D$	$P_{OUT} = 180\text{ W}, f = 860\text{ MHz}$	60	69		%
Load Mismatch	$P_{OUT} = 220\text{ W}, f = 860\text{ MHz}$ all phase angles			65:1	VSWR

### 3 Impedance data

Figure 2. Impedance data

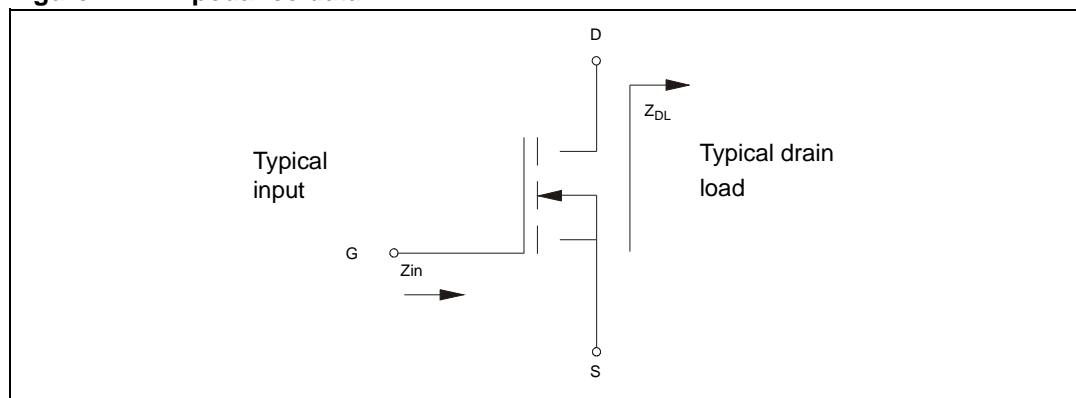


Table 6. Impedance data

Frequency MHz	Z source ( $\Omega$ )	Z load ( $\Omega$ )
860	TBD	TBD

## 4 Typical performances

Figure 3. Gain vs output power

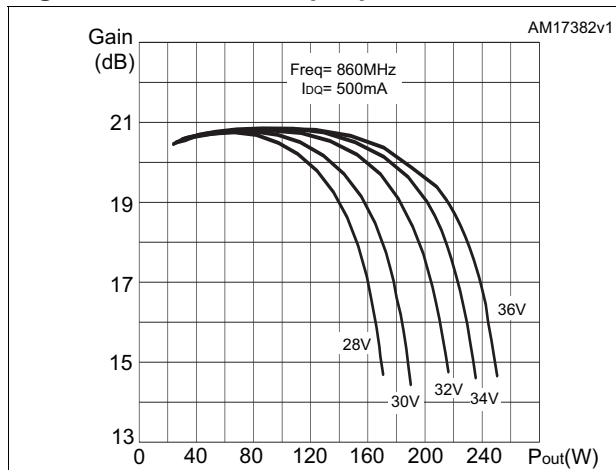
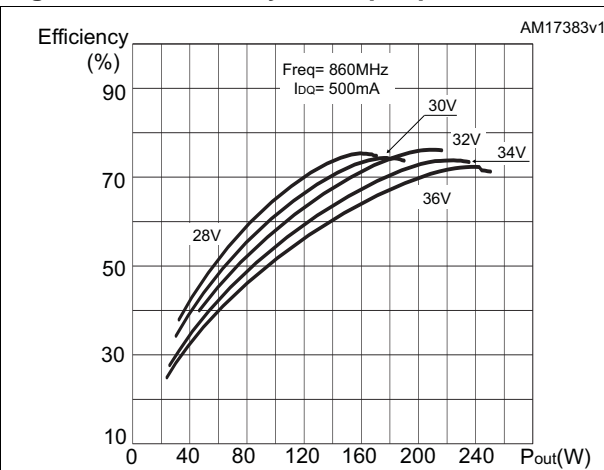


Figure 4. Efficiency vs output power



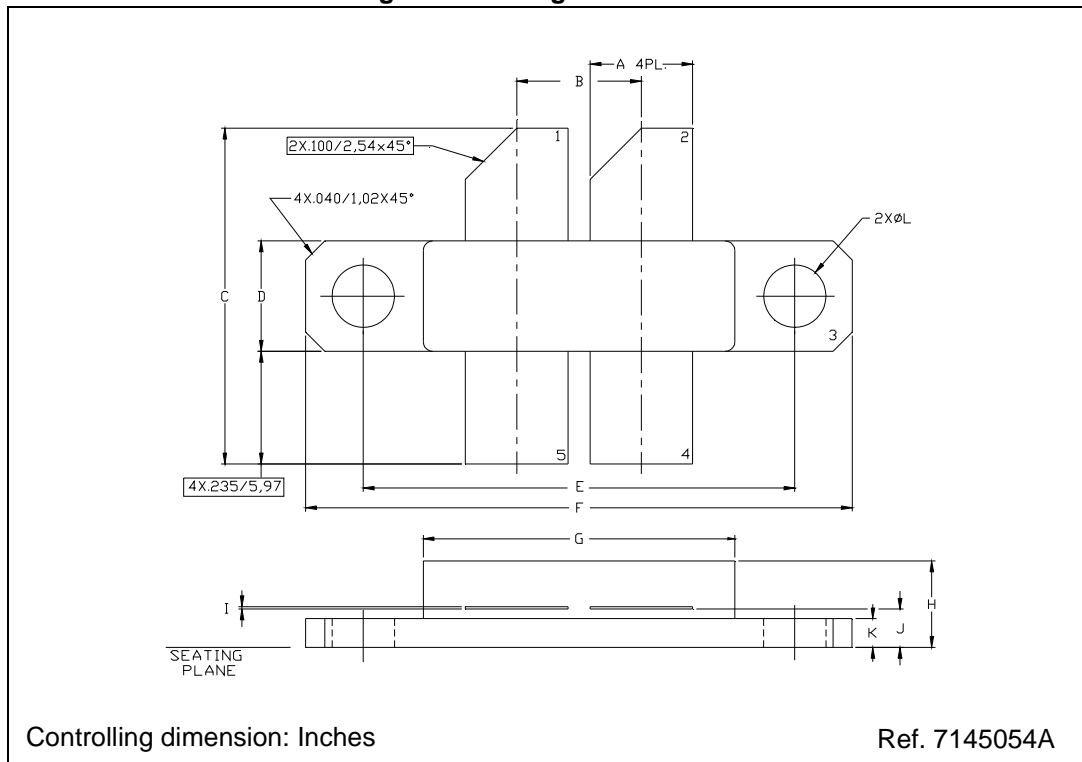
## 5 Package mechanical data

In order to meet environmental requirements, ST offers these devices in different grades of ECOPACK<sup>®</sup> packages, depending on their level of environmental compliance. ECOPACK<sup>®</sup> specifications, grade definitions and product status are available at: [www.st.com](http://www.st.com). ECOPACK<sup>®</sup> is an ST trademark.

Table 7. M246 (0.230 x 0.650 WIDE 4/L BAL N/HERM W/FLG) mechanical data

Dim.	mm.			Inch		
	Min	Typ	Max	Min	Typ	Max
A	5.33		5.59	0.210		0.220
B	6.48		6.73	0.255		0.265
C	17.27		18.29	0.680		0.720
D	5.72		5.97	0.225		0.235
E		22.86			.900	
F	28.83		29.08	1.135		1.145
G	16.26		16.76	0.640		0.660
H	4.19		5.08	0.165		0.200
I	0.08		0.15	0.003		0.006
J	1.83		2.24	0.072		0.088
K	1.40		1.65	0.055		0.065
L	3.18		3.43	0.125		0.135

Figure 5. Package dimensions





## 6 Revision history

**Table 8. Document revision history**

Date	Revision	Changes
29-May-2013	1	Initial release.

**Please Read Carefully:**

Information in this document is provided solely in connection with ST products. STMicroelectronics NV and its subsidiaries ("ST") reserve the right to make changes, corrections, modifications or improvements, to this document, and the products and services described herein at any time, without notice.

All ST products are sold pursuant to ST's terms and conditions of sale.

Purchasers are solely responsible for the choice, selection and use of the ST products and services described herein, and ST assumes no liability whatsoever relating to the choice, selection or use of the ST products and services described herein.

No license, express or implied, by estoppel or otherwise, to any intellectual property rights is granted under this document. If any part of this document refers to any third party products or services it shall not be deemed a license grant by ST for the use of such third party products or services, or any intellectual property contained therein or considered as a warranty covering the use in any manner whatsoever of such third party products or services or any intellectual property contained therein.

**UNLESS OTHERWISE SET FORTH IN ST'S TERMS AND CONDITIONS OF SALE ST DISCLAIMS ANY EXPRESS OR IMPLIED WARRANTY WITH RESPECT TO THE USE AND/OR SALE OF ST PRODUCTS INCLUDING WITHOUT LIMITATION IMPLIED WARRANTIES OF MERCHANTABILITY, FITNESS FOR A PARTICULAR PURPOSE (AND THEIR EQUIVALENTS UNDER THE LAWS OF ANY JURISDICTION), OR INFRINGEMENT OF ANY PATENT, COPYRIGHT OR OTHER INTELLECTUAL PROPERTY RIGHT.**

**ST PRODUCTS ARE NOT AUTHORIZED FOR USE IN WEAPONS. NOR ARE ST PRODUCTS DESIGNED OR AUTHORIZED FOR USE IN: (A) SAFETY CRITICAL APPLICATIONS SUCH AS LIFE SUPPORTING, ACTIVE IMPLANTED DEVICES OR SYSTEMS WITH PRODUCT FUNCTIONAL SAFETY REQUIREMENTS; (B) AERONAUTIC APPLICATIONS; (C) AUTOMOTIVE APPLICATIONS OR ENVIRONMENTS, AND/OR (D) AEROSPACE APPLICATIONS OR ENVIRONMENTS. WHERE ST PRODUCTS ARE NOT DESIGNED FOR SUCH USE, THE PURCHASER SHALL USE PRODUCTS AT PURCHASER'S SOLE RISK, EVEN IF ST HAS BEEN INFORMED IN WRITING OF SUCH USAGE, UNLESS A PRODUCT IS EXPRESSLY DESIGNATED BY ST AS BEING INTENDED FOR "AUTOMOTIVE, AUTOMOTIVE SAFETY OR MEDICAL" INDUSTRY DOMAINS ACCORDING TO ST PRODUCT DESIGN SPECIFICATIONS. PRODUCTS FORMALLY ESCC, QML OR JAN QUALIFIED ARE DEEMED SUITABLE FOR USE IN AEROSPACE BY THE CORRESPONDING GOVERNMENTAL AGENCY.**

Resale of ST products with provisions different from the statements and/or technical features set forth in this document shall immediately void any warranty granted by ST for the ST product or service described herein and shall not create or extend in any manner whatsoever, any liability of ST.

ST and the ST logo are trademarks or registered trademarks of ST in various countries.

Information in this document supersedes and replaces all information previously supplied.

The ST logo is a registered trademark of STMicroelectronics. All other names are the property of their respective owners.

© 2013 STMicroelectronics - All rights reserved

STMicroelectronics group of companies

Australia - Belgium - Brazil - Canada - China - Czech Republic - Finland - France - Germany - Hong Kong - India - Israel - Italy - Japan - Malaysia - Malta - Morocco - Philippines - Singapore - Spain - Sweden - Switzerland - United Kingdom - United States of America

[www.st.com](http://www.st.com)