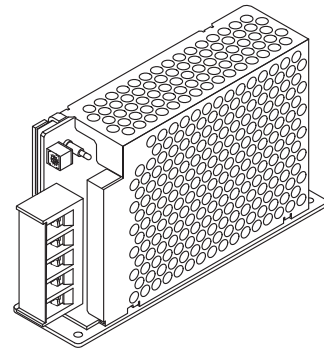


■ PB · PMA Series Attachment

BASE Attachment

| Plate model | Applicable models |
|-------------|------------------------|
| F-PBA10-1 | PBA10F |
| F-PBA15-1 | PBA15F, PBW15F |
| F-PBA30-1 | PBA30F, PBW30F, PMA15F |
| F-PBA50-1 | PBA50F, PBW50F, PMA30F |
| F-PBA75-1 | PBA75F, PMA60F |
| F-PBA100-1 | PBA100F |
| F-PBA150-1 | PBA150F, PMA100F |

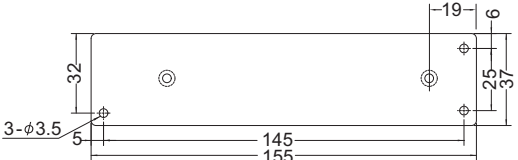
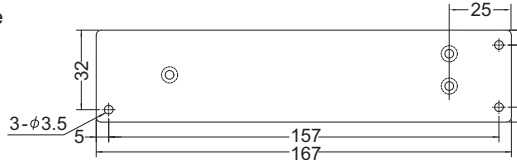
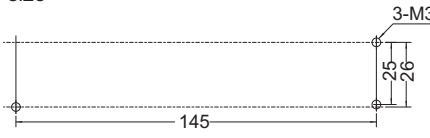
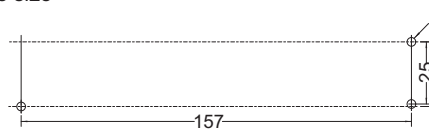
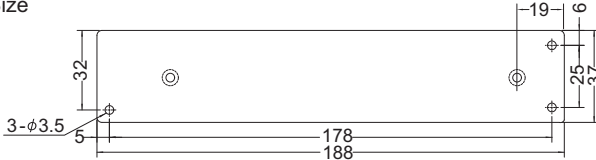
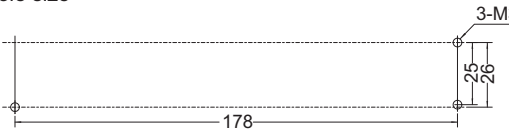
Example



< TOP VIEW > (Unit : mm) (Tolerance : ±1)

| | |
|--|--|
| <p>F-PBA10-1</p> <p>Size</p> <ul style="list-style-type: none"> * Material : SECC * Thickness : 2.0 * Weight : 60g max | <p>F-PBA15-1</p> <p>Size</p> <ul style="list-style-type: none"> * Material : SECC * Thickness : 2.0 * Weight : 70g max |
| <p>* M3 Flat screw is requested when mounting. Please check the instruction manual for the size of screw.</p> | |
| <p>Mounting hole size</p> <p>FRONT ←</p> | <p>Mounting hole size</p> <p>FRONT ←</p> |
| <p>F-PBA30-1</p> <p>Size</p> <ul style="list-style-type: none"> * Material : SECC * Thickness : 2.0 * Weight : 85g max | <p>F-PBA50-1</p> <p>Size</p> <ul style="list-style-type: none"> * Material : SECC * Thickness : 2.0 * Weight : 95g max |
| <p>* M3 Flat screw is requested when mounting. Please check the instruction manual for the size of screw.</p> | |
| <p>Mounting hole size</p> <p>FRONT ←</p> | <p>Mounting hole size</p> <p>FRONT ←</p> |

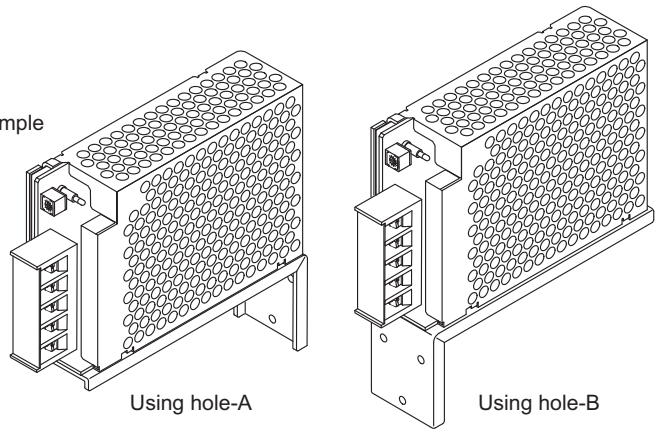
< TOP VIEW > (Unit : mm) (Tolerance : ±1)

| F-PBA75-1 | F-PBA100-1 |
|--|--|
| <p>Size</p>  <ul style="list-style-type: none"> ★ Material : SECC ★ Thickness : 2.0 ★ Weight : 110g max | <p>Size</p>  <ul style="list-style-type: none"> ★ Material : SECC ★ Thickness : 2.0 ★ Weight : 110g max |
| <p>★ M3 Flat screw is requested when mounting. Please check the instruction manual for the size of screw.</p> | |
| <p>Mounting hole size</p> <p>FRONT ←</p>  | <p>Mounting hole size</p> <p>FRONT ←</p>  |
| F-PBA150-1 | |
| <p>Size</p>  <ul style="list-style-type: none"> ★ Material : SECC ★ Thickness : 2.0 ★ Weight : 130g max | |
| <p>★ M3 Flat screw is requested when mounting. Please check the instruction manual for the size of screw.</p> | |
| <p>Mounting hole size</p> <p>FRONT ←</p>  | |

FRONT · REVERSE
Attachment

| Plate model | Applicable models |
|-------------|------------------------|
| F-PBA10-2 | PBA10F |
| F-PBA15-2 | PBA15F, PBW15F |
| F-PBA30-2 | PBA30F, PBW30F, PMA15F |
| F-PBA50-2 | PBA50F, PBW50F, PMA30F |
| F-PBA75-2 | PBA75F, PMA60F |
| F-PBA100-2 | PBA100F |
| F-PBA150-2 | PBA150F, PMA100F |

Example



Using hole-A

Using hole-B

< TOP VIEW > (Unit : mm) (Tolerance : ±1)

| F-PBA10-2 | F-PBA15-2 |
|--|---|
| <p>Size</p> <ul style="list-style-type: none"> * Material : SECC * Thickness : 1.6 * Weight : 60g max | <p>Size</p> <ul style="list-style-type: none"> * Material : SECC * Thickness : 1.6 * Weight : 70g max |
| <p>* M3 screw is requested when mounting. Please check the instruction manual for the size of screw.</p> | |
| F-PBA30-2 | F-PBA50-2 |
| <p>Size</p> <ul style="list-style-type: none"> * Material : SECC * Thickness : 1.6 * Weight : 80g max | <p>Size</p> <ul style="list-style-type: none"> * Material : SECC * Thickness : 2.0 * Weight : 120g max |
| <p>* M3 screw is requested when mounting. Please check the instruction manual for the size of screw.</p> | |

< TOP VIEW > (Unit : mm) (Tolerance : ±1)

| F-PBA75-2 | F-PBA100-2 |
|---|---|
| <p>Size</p> <ul style="list-style-type: none"> ★ Material : SECC ★ Thickness : 2.0 ★ Weight : 130g max | <p>Size</p> <ul style="list-style-type: none"> ★ Material : SECC ★ Thickness : 2.0 ★ Weight : 140g max |
| <p>★ M3 screw is requested when mounting. Please check the instruction manual for the size of screw.</p> | |

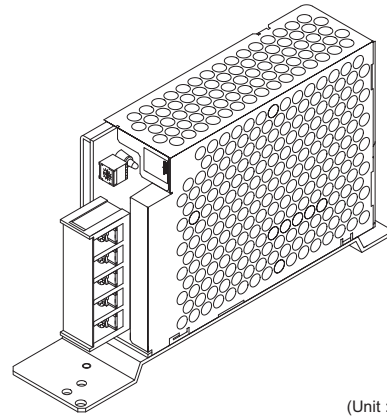
| F-PBA150-2 |
|---|
| <p>Size</p> <ul style="list-style-type: none"> ★ Material : SECC ★ Thickness : 2.0 ★ Weight : 170g max |
| <p>★ M3 screw is requested when mounting. Please check the instruction manual for the size of screw.</p> |

Attachment for Replacement

This is an attachment when replacing to PBA series from P · PAA series.

| Plate model | Applicable models |
|-------------|-------------------------|
| F-PPBA15-1 | P15 → PBA15F |
| F-PPBA30-1 | P30 → PBA30F |
| F-PPBA50-1 | P50, PAA50F → PBA50F |
| F-PPBA75-1 | PAA75F → PBA75F |
| F-PPBA100-1 | P100, PAA100F → PBA100F |
| F-PPBA150-1 | P150, PAA150F → PBA150F |

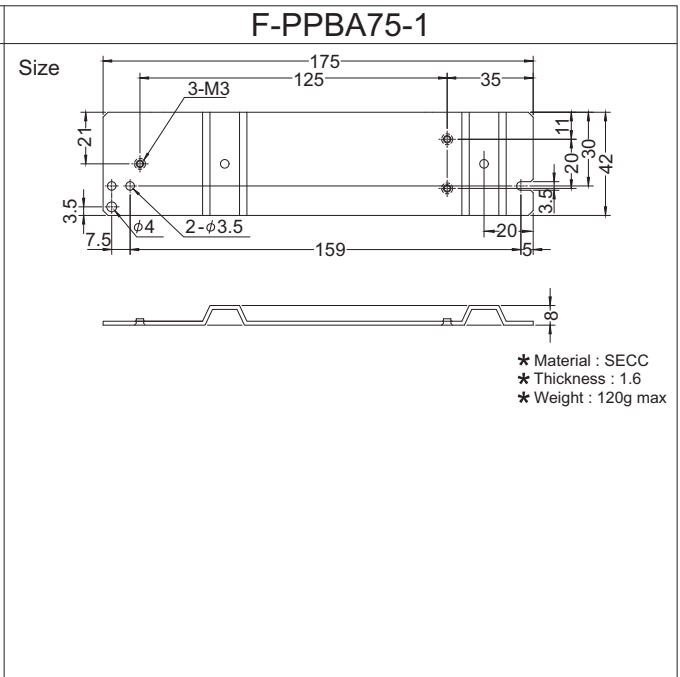
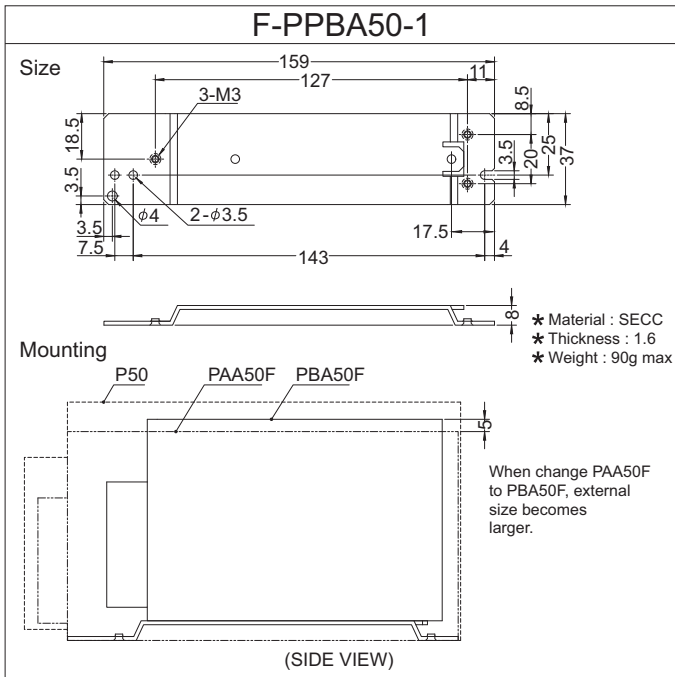
Example (PBA50F)



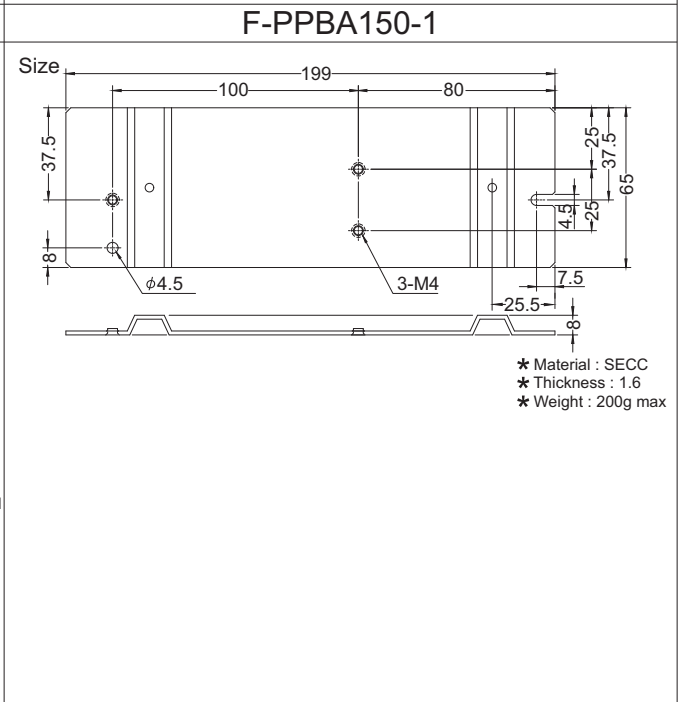
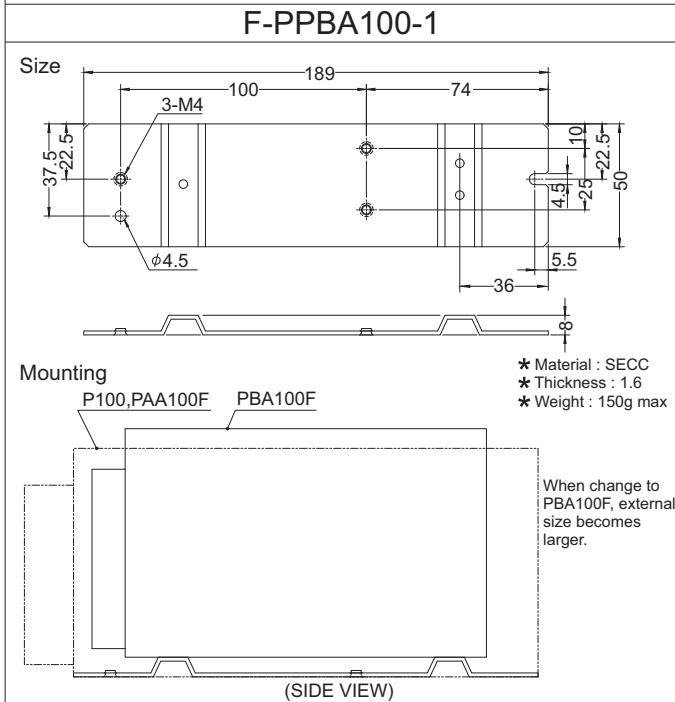
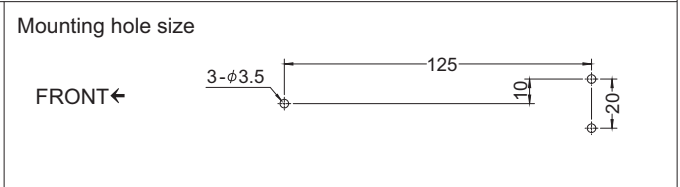
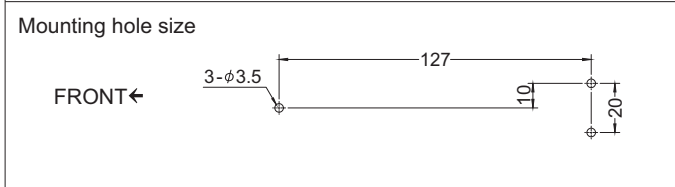
(Unit : mm) (Tolerance : ±1)

| F-PPBA15-1 | F-PPBA30-1 |
|--|--|
| <p>Size</p> <p>Mounting</p> <p style="text-align: center;">(BOTTOM VIEW)</p> <ul style="list-style-type: none"> ★ Material : SECC ★ Thickness : 1.6 ★ Weight : 100g max | <p>Size</p> <p>Mounting</p> <p style="text-align: center;">(BOTTOM VIEW)</p> <ul style="list-style-type: none"> ★ Material : SECC ★ Thickness : 1.6 ★ Weight : 120g max |
| <p>★ M3 screw is requested when mounting. Please check the instruction manual for the size of screw.</p> | |
| <p>Mounting hole size</p> <p style="text-align: center;">FRONT ←</p> | <p>Mounting hole size</p> <p style="text-align: center;">FRONT ←</p> |

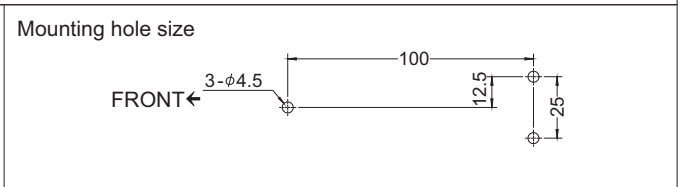
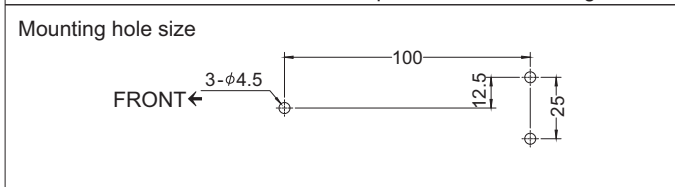
(Unit : mm) (Tolerance : ±1)



* M3 screw is requested when mounting. Please check the instruction manual for the size of screw.



* M3 screw is requested when mounting. Please check the instruction manual for the size of screw.



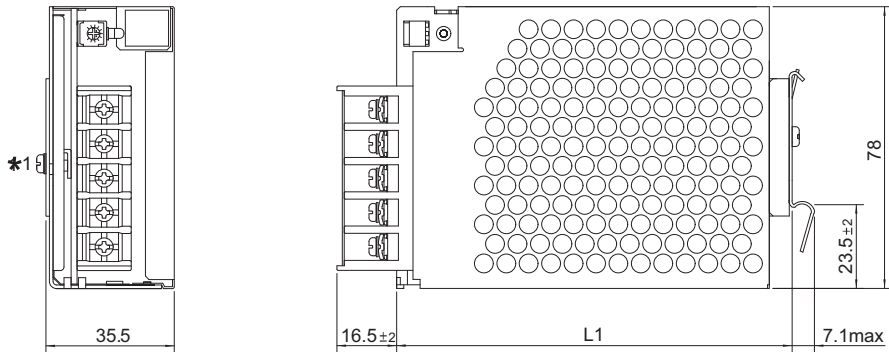
Din rail Attachment Plate(PB Series)

APPLICABLE TO MODEL

Din rail width : 35mm

| Plate model | Model | screws for installation | |
|-------------|------------------------|-------------------------|------|
| | | Type | Qty |
| FD-PBA10 | PBA10F | M3 | 2pcs |
| FD-PBA15 | PBA15F, PBW15F | | |
| FD-PBA30 | PBA30F, PBW30F | | |
| FD-PBA50 | PBA50F, PBW50F, PBA75F | | |
| FD-PBA100 | PBA100F | M3 | 3pcs |
| | PBA150F | M3 | 2pcs |
| FD-PBA300 | PBA300F | M4 | 2pcs |

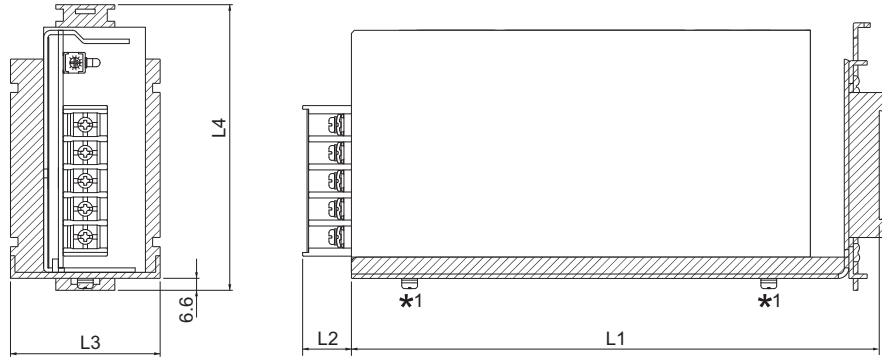
FD-PBA10, FD-PBA15, FD-PBA30 EXTERNAL VIEW



| Plate model | Model | L1 |
|-------------|----------------|---------|
| FD-PBA10 | PBA10F | 75.0±2 |
| FD-PBA15 | PBA15F, PBW15F | 92.0±2 |
| FD-PBA30 | PBA30F, PBW30F | 110.0±2 |

- * Material : SECC
- * Thickness : 1.0
- * Tolerance : ±1
- * 1 Screws for installation (attached to Plate)
- * Weight : FD-PBA10 45g max
 FD-PBA15 55g max
 FD-PBA30 60g max

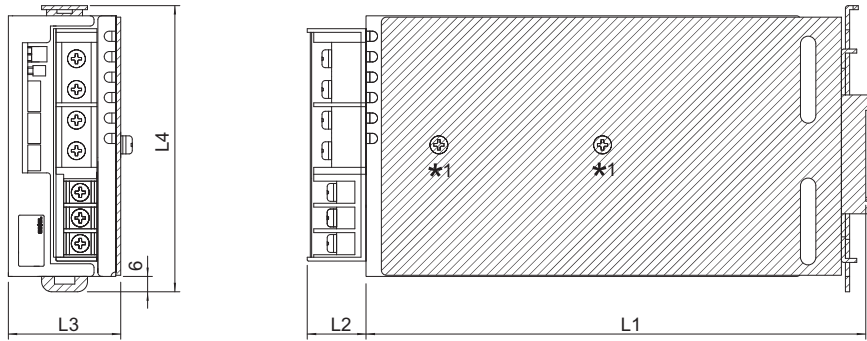
FD-PBA50, FD-PBA100 EXTERNAL VIEW



| Plate model | Model | L1 | L2 | L3 | L4 |
|-------------|---------|-----|--------|------|-------|
| FD-PBA50 | PBA50F | 135 | 16.5±2 | 41 | 102.5 |
| | PBA75F | 150 | | | |
| FD-PBA100 | PBA100F | 162 | 13.5±2 | 42.5 | 112 |
| | PBA150F | 183 | | | |

- * Material : SECC
- * Thickness : 1.6
- * Tolerance : ±1
- * 1 Screws for installation (attached to Plate)
- * Weight : FD-PBA50 220g max
Weight : FD-PBA100 260g max

FD-PBA300 EXTERNAL VIEW



| Plate model | Model | L1 | L2 | L3 | L4 |
|-------------|---------|-------|-------|----|-----|
| FD-PBA300 | PBA300F | 195.5 | 25max | 44 | 112 |

- * Material : SPHC
- * Thickness : 2.0
- * Tolerance : ±1
- * 1 Screws for installation (attached to Plate)
- * Weight : 500g max

Harness to use the function is prepared in PB series.

PB Series

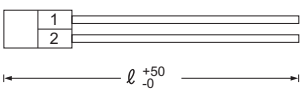
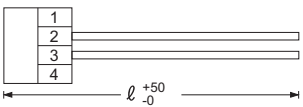
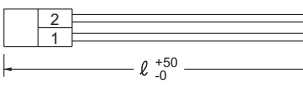
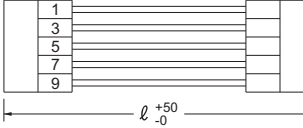
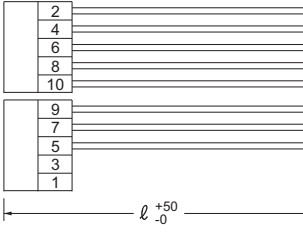
Mating harness

| Model | Harness model # | Contents |
|---|------------------|---|
| PBA10F, PBA15F, PBW15F, PBA30F, PBW30F, PBA50F, PBW50F, PBA75F, PBA100F, PBA150F ★1 | H-IN-1 or H-IN-8 | Input harness when I/O interface is connector type (option : -J) |
| PBA10F, PBA15F, PBA30F, PBA50F | H-OU-20 | Output harness when I/O interface is connector type (option : -J) |
| PBA75F, PBA100F, PBA150F ★1 | H-OU-21 | Output harness when I/O interface is connector type (option : -J) |
| PBW15F, PBW30F, PBW50F | H-OU-27 | Output harness when I/O interface is connector type (option : -J) |
| PBA50F, PBW50F, PBA75F, PBA100F, PBA150F | H-RC-1 | Harness for using option : -R |
| PBA100F, PBA150F ★2 | H-SN-1 | Harness for using option : -K |
| PBA10F, PBA15F, PBW15F, PBA30F, PBW30F PBA50F, PBW50F, PBA75F, PBA100F, PBA150F | H-SN-18 | Harness for using option : -V |
| PBA300F | H-PA-3 | Harness for parallel operation |
| PBA600F | H-SN-20 | Harness for using all functions of CN1 and CN2 |
| PBA1000F | H-SN-21 | Harness for using all functions except remote sensing of CN2 |
| PBA1500F | H-SN-22 | Harness for using all functions of CN3 |
| PBA1500T | H-SN-24 | Harness for using example remote ON/OFF circuit (C) |

★1 Available for 12V, 15V, 24V, 36V and 48V output model in PBA100F / 150F.

★2 Available for 3.3V and 5V output model in PBA100F / 150F.

| <p>●Model number H-IN-1 Housing : 10-63-3044 (Molex) Pin : 08-70-1030 or 08-70-1031 (Molex) Weight : 25g max</p> | <p>●Type</p> | <p>●Wire</p> <table border="1"> <thead> <tr> <th>Pin #</th> <th>Wire</th> <th>AWG</th> <th>Color</th> <th>Length ℓ (mm)</th> </tr> </thead> <tbody> <tr> <td>1</td> <td>UL1015</td> <td>20</td> <td>green</td> <td>500</td> </tr> <tr> <td>2</td> <td>UL1015</td> <td>20</td> <td>black</td> <td>500</td> </tr> <tr> <td>3</td> <td></td> <td></td> <td></td> <td></td> </tr> <tr> <td>4</td> <td>UL1015</td> <td>20</td> <td>white</td> <td>500</td> </tr> </tbody> </table> | Pin # | Wire | AWG | Color | Length ℓ (mm) | 1 | UL1015 | 20 | green | 500 | 2 | UL1015 | 20 | black | 500 | 3 | | | | | 4 | UL1015 | 20 | white | 500 | | | | | | | | | | |
|--|--------------|---|--------------|---------------|-----|-------|---------------|---|--------|----|--------------|-----|---|--------|----|-------|-----|---|--------|----|-------|-----|---|--------|----|--------|-----|---|--------|----|-------|-----|---|--------|----|-------|-----|
| Pin # | Wire | AWG | Color | Length ℓ (mm) | | | | | | | | | | | | | | | | | | | | | | | | | | | | | | | | | |
| 1 | UL1015 | 20 | green | 500 | | | | | | | | | | | | | | | | | | | | | | | | | | | | | | | | | |
| 2 | UL1015 | 20 | black | 500 | | | | | | | | | | | | | | | | | | | | | | | | | | | | | | | | | |
| 3 | | | | | | | | | | | | | | | | | | | | | | | | | | | | | | | | | | | | | |
| 4 | UL1015 | 20 | white | 500 | | | | | | | | | | | | | | | | | | | | | | | | | | | | | | | | | |
| <p>●Model number H-IN-8 Housing : 10-63-3044 (Molex) Pin : 08-70-1030 or 08-70-1031 (Molex) Weight : 25g max</p> | <p>●Type</p> | <p>●Wire</p> <table border="1"> <thead> <tr> <th>Pin #</th> <th>Wire</th> <th>AWG</th> <th>Color</th> <th>Length ℓ (mm)</th> </tr> </thead> <tbody> <tr> <td>1</td> <td>UL1015</td> <td>20</td> <td>green/yellow</td> <td>500</td> </tr> <tr> <td>2</td> <td>UL1015</td> <td>20</td> <td>black</td> <td>500</td> </tr> <tr> <td>3</td> <td></td> <td></td> <td></td> <td></td> </tr> <tr> <td>4</td> <td>UL1015</td> <td>20</td> <td>white</td> <td>500</td> </tr> </tbody> </table> | Pin # | Wire | AWG | Color | Length ℓ (mm) | 1 | UL1015 | 20 | green/yellow | 500 | 2 | UL1015 | 20 | black | 500 | 3 | | | | | 4 | UL1015 | 20 | white | 500 | | | | | | | | | | |
| Pin # | Wire | AWG | Color | Length ℓ (mm) | | | | | | | | | | | | | | | | | | | | | | | | | | | | | | | | | |
| 1 | UL1015 | 20 | green/yellow | 500 | | | | | | | | | | | | | | | | | | | | | | | | | | | | | | | | | |
| 2 | UL1015 | 20 | black | 500 | | | | | | | | | | | | | | | | | | | | | | | | | | | | | | | | | |
| 3 | | | | | | | | | | | | | | | | | | | | | | | | | | | | | | | | | | | | | |
| 4 | UL1015 | 20 | white | 500 | | | | | | | | | | | | | | | | | | | | | | | | | | | | | | | | | |
| <p>●Model number H-OU-20 Housing : 09-50-1043 (Molex) Pin : 08-70-1030 or 08-70-1031 (Molex) Weight : 40g max</p> | <p>●Type</p> | <p>●Wire</p> <table border="1"> <thead> <tr> <th>Pin #</th> <th>Wire</th> <th>AWG</th> <th>Color</th> <th>Length ℓ (mm)</th> </tr> </thead> <tbody> <tr> <td>1</td> <td>UL1015</td> <td>18</td> <td>red</td> <td>500</td> </tr> <tr> <td>2</td> <td>UL1015</td> <td>18</td> <td>red</td> <td>500</td> </tr> <tr> <td>3</td> <td>UL1015</td> <td>18</td> <td>black</td> <td>500</td> </tr> <tr> <td>4</td> <td>UL1015</td> <td>18</td> <td>black</td> <td>500</td> </tr> </tbody> </table> | Pin # | Wire | AWG | Color | Length ℓ (mm) | 1 | UL1015 | 18 | red | 500 | 2 | UL1015 | 18 | red | 500 | 3 | UL1015 | 18 | black | 500 | 4 | UL1015 | 18 | black | 500 | | | | | | | | | | |
| Pin # | Wire | AWG | Color | Length ℓ (mm) | | | | | | | | | | | | | | | | | | | | | | | | | | | | | | | | | |
| 1 | UL1015 | 18 | red | 500 | | | | | | | | | | | | | | | | | | | | | | | | | | | | | | | | | |
| 2 | UL1015 | 18 | red | 500 | | | | | | | | | | | | | | | | | | | | | | | | | | | | | | | | | |
| 3 | UL1015 | 18 | black | 500 | | | | | | | | | | | | | | | | | | | | | | | | | | | | | | | | | |
| 4 | UL1015 | 18 | black | 500 | | | | | | | | | | | | | | | | | | | | | | | | | | | | | | | | | |
| <p>●Model number H-OU-21 Housing : 09-50-1063 (Molex) Pin : 08-70-1030 or 08-70-1031 (Molex) Weight : 60g max</p> | <p>●Type</p> | <p>●Wire</p> <table border="1"> <thead> <tr> <th>Pin #</th> <th>Wire</th> <th>AWG</th> <th>Color</th> <th>Length ℓ (mm)</th> </tr> </thead> <tbody> <tr> <td>1</td> <td>UL1015</td> <td>18</td> <td>red</td> <td>500</td> </tr> <tr> <td>2</td> <td>UL1015</td> <td>18</td> <td>red</td> <td>500</td> </tr> <tr> <td>3</td> <td>UL1015</td> <td>18</td> <td>red</td> <td>500</td> </tr> <tr> <td>4</td> <td>UL1015</td> <td>18</td> <td>black</td> <td>500</td> </tr> <tr> <td>5</td> <td>UL1015</td> <td>18</td> <td>black</td> <td>500</td> </tr> <tr> <td>6</td> <td>UL1015</td> <td>18</td> <td>black</td> <td>500</td> </tr> </tbody> </table> | Pin # | Wire | AWG | Color | Length ℓ (mm) | 1 | UL1015 | 18 | red | 500 | 2 | UL1015 | 18 | red | 500 | 3 | UL1015 | 18 | red | 500 | 4 | UL1015 | 18 | black | 500 | 5 | UL1015 | 18 | black | 500 | 6 | UL1015 | 18 | black | 500 |
| Pin # | Wire | AWG | Color | Length ℓ (mm) | | | | | | | | | | | | | | | | | | | | | | | | | | | | | | | | | |
| 1 | UL1015 | 18 | red | 500 | | | | | | | | | | | | | | | | | | | | | | | | | | | | | | | | | |
| 2 | UL1015 | 18 | red | 500 | | | | | | | | | | | | | | | | | | | | | | | | | | | | | | | | | |
| 3 | UL1015 | 18 | red | 500 | | | | | | | | | | | | | | | | | | | | | | | | | | | | | | | | | |
| 4 | UL1015 | 18 | black | 500 | | | | | | | | | | | | | | | | | | | | | | | | | | | | | | | | | |
| 5 | UL1015 | 18 | black | 500 | | | | | | | | | | | | | | | | | | | | | | | | | | | | | | | | | |
| 6 | UL1015 | 18 | black | 500 | | | | | | | | | | | | | | | | | | | | | | | | | | | | | | | | | |
| <p>●Model number H-OU-27 Housing : 09-50-1043 (Molex) Pin : 08-70-1030 or 08-70-1031 (Molex) Weight : 40g max</p> | <p>●Type</p> | <p>●Wire</p> <table border="1"> <thead> <tr> <th>Pin #</th> <th>Wire</th> <th>AWG</th> <th>Color</th> <th>Length ℓ (mm)</th> </tr> </thead> <tbody> <tr> <td>1</td> <td>UL1015</td> <td>18</td> <td>red</td> <td>500</td> </tr> <tr> <td>2</td> <td>UL1015</td> <td>18</td> <td>black</td> <td>500</td> </tr> <tr> <td>3</td> <td>UL1015</td> <td>18</td> <td>black</td> <td>500</td> </tr> <tr> <td>4</td> <td>UL1015</td> <td>18</td> <td>purple</td> <td>500</td> </tr> </tbody> </table> | Pin # | Wire | AWG | Color | Length ℓ (mm) | 1 | UL1015 | 18 | red | 500 | 2 | UL1015 | 18 | black | 500 | 3 | UL1015 | 18 | black | 500 | 4 | UL1015 | 18 | purple | 500 | | | | | | | | | | |
| Pin # | Wire | AWG | Color | Length ℓ (mm) | | | | | | | | | | | | | | | | | | | | | | | | | | | | | | | | | |
| 1 | UL1015 | 18 | red | 500 | | | | | | | | | | | | | | | | | | | | | | | | | | | | | | | | | |
| 2 | UL1015 | 18 | black | 500 | | | | | | | | | | | | | | | | | | | | | | | | | | | | | | | | | |
| 3 | UL1015 | 18 | black | 500 | | | | | | | | | | | | | | | | | | | | | | | | | | | | | | | | | |
| 4 | UL1015 | 18 | purple | 500 | | | | | | | | | | | | | | | | | | | | | | | | | | | | | | | | | |

| <p>●Model number H-RC-1</p> <p>Housing : XHP-2 (J.S.T.) Pin : SXH-001T-P0.6 (J.S.T.) Weight : 7g max</p> | <p>●Type</p>  | <p>●Wire</p> <table border="1"> <thead> <tr> <th>Pin #</th> <th>Wire</th> <th>AWG</th> <th>Color</th> <th>Length l (mm)</th> </tr> </thead> <tbody> <tr> <td>1</td> <td>UL1007</td> <td>22</td> <td>orange</td> <td>500</td> </tr> <tr> <td>2</td> <td>UL1007</td> <td>22</td> <td>blue</td> <td>500</td> </tr> </tbody> </table> | Pin # | Wire | AWG | Color | Length l (mm) | 1 | UL1007 | 22 | orange | 500 | 2 | UL1007 | 22 | blue | 500 | | | | | | | | | | | | | | | | | | | | | | | | | | | | | | | | | | | | | | | | |
|---|--|---|--------|-----------------|-----|-------|-----------------|---|--------|----|--------|-----|---|--------|----|--------|-----|---|--------|----|-----|-----|---|--------|----|-------|-----|---|--------|----|--------|-----|---|--------|----|-------|-----|---|--------|----|------|-----|---|--------|----|-------|-----|---|--------|----|--------|-----|----|--------|----|--------|-----|
| Pin # | Wire | AWG | Color | Length l (mm) | | | | | | | | | | | | | | | | | | | | | | | | | | | | | | | | | | | | | | | | | | | | | | | | | | | | | |
| 1 | UL1007 | 22 | orange | 500 | | | | | | | | | | | | | | | | | | | | | | | | | | | | | | | | | | | | | | | | | | | | | | | | | | | | | |
| 2 | UL1007 | 22 | blue | 500 | | | | | | | | | | | | | | | | | | | | | | | | | | | | | | | | | | | | | | | | | | | | | | | | | | | | | |
| <p>●Model number H-SN-1</p> <p>Housing : XHP-4 (J.S.T.) Pin : SXH-001T-P0.6 (J.S.T.) Weight : 3g max</p> | <p>●Type</p>  | <p>●Wire</p> <table border="1"> <thead> <tr> <th>Pin #</th> <th>Wire</th> <th>AWG</th> <th>Color</th> <th>Length l (mm)</th> </tr> </thead> <tbody> <tr> <td>1</td> <td></td> <td></td> <td></td> <td></td> </tr> <tr> <td>2</td> <td>UL1061</td> <td>28</td> <td>black</td> <td>500</td> </tr> <tr> <td>3</td> <td>UL1061</td> <td>28</td> <td>red</td> <td>500</td> </tr> <tr> <td>4</td> <td></td> <td></td> <td></td> <td></td> </tr> </tbody> </table> | Pin # | Wire | AWG | Color | Length l (mm) | 1 | | | | | 2 | UL1061 | 28 | black | 500 | 3 | UL1061 | 28 | red | 500 | 4 | | | | | | | | | | | | | | | | | | | | | | | | | | | | | | | | | | |
| Pin # | Wire | AWG | Color | Length l (mm) | | | | | | | | | | | | | | | | | | | | | | | | | | | | | | | | | | | | | | | | | | | | | | | | | | | | | |
| 1 | | | | | | | | | | | | | | | | | | | | | | | | | | | | | | | | | | | | | | | | | | | | | | | | | | | | | | | | | |
| 2 | UL1061 | 28 | black | 500 | | | | | | | | | | | | | | | | | | | | | | | | | | | | | | | | | | | | | | | | | | | | | | | | | | | | | |
| 3 | UL1061 | 28 | red | 500 | | | | | | | | | | | | | | | | | | | | | | | | | | | | | | | | | | | | | | | | | | | | | | | | | | | | | |
| 4 | | | | | | | | | | | | | | | | | | | | | | | | | | | | | | | | | | | | | | | | | | | | | | | | | | | | | | | | | |
| <p>●Model number H-SN-18</p> <p>Housing : PHR-2 (J.S.T.) Pin : SPH-002T-P0.5S (J.S.T.) Weight : 4g max</p> | <p>●Type</p>  | <p>●Wire</p> <table border="1"> <thead> <tr> <th>Pin #</th> <th>Wire</th> <th>AWG</th> <th>Color</th> <th>Length l (mm)</th> </tr> </thead> <tbody> <tr> <td>1</td> <td>UL1007</td> <td>26</td> <td>yellow</td> <td>500</td> </tr> <tr> <td>2</td> <td>UL1007</td> <td>26</td> <td>orange</td> <td>500</td> </tr> </tbody> </table> | Pin # | Wire | AWG | Color | Length l (mm) | 1 | UL1007 | 26 | yellow | 500 | 2 | UL1007 | 26 | orange | 500 | | | | | | | | | | | | | | | | | | | | | | | | | | | | | | | | | | | | | | | | |
| Pin # | Wire | AWG | Color | Length l (mm) | | | | | | | | | | | | | | | | | | | | | | | | | | | | | | | | | | | | | | | | | | | | | | | | | | | | | |
| 1 | UL1007 | 26 | yellow | 500 | | | | | | | | | | | | | | | | | | | | | | | | | | | | | | | | | | | | | | | | | | | | | | | | | | | | | |
| 2 | UL1007 | 26 | orange | 500 | | | | | | | | | | | | | | | | | | | | | | | | | | | | | | | | | | | | | | | | | | | | | | | | | | | | | |
| <p>●Model number H-PA-3</p> <p>Housing : PHDR-10VS(J.S.T.) Pin : SPHD-002T-P0.5(J.S.T.) Weight : 5g max</p> | <p>●Type</p>  | <p>●Wire</p> <table border="1"> <thead> <tr> <th>Pin #</th> <th>Wire</th> <th>AWG</th> <th>Color</th> <th>Length l (mm)</th> </tr> </thead> <tbody> <tr> <td>1</td> <td>-</td> <td>-</td> <td>-</td> <td>-</td> </tr> <tr> <td>2</td> <td>UL1061</td> <td>28</td> <td>red</td> <td>270</td> </tr> <tr> <td>3</td> <td>-</td> <td>-</td> <td>-</td> <td>-</td> </tr> <tr> <td>4</td> <td>UL1061</td> <td>28</td> <td>black</td> <td>270</td> </tr> <tr> <td>5</td> <td>UL1061</td> <td>28</td> <td>yellow</td> <td>270</td> </tr> <tr> <td>6</td> <td>UL1061</td> <td>28</td> <td>green</td> <td>270</td> </tr> <tr> <td>7</td> <td>UL1061</td> <td>28</td> <td>blue</td> <td>270</td> </tr> <tr> <td>8</td> <td>-</td> <td>-</td> <td>-</td> <td>-</td> </tr> <tr> <td>9</td> <td>UL1061</td> <td>28</td> <td>orange</td> <td>270</td> </tr> <tr> <td>10</td> <td>UL1061</td> <td>28</td> <td>purple</td> <td>270</td> </tr> </tbody> </table> | Pin # | Wire | AWG | Color | Length l (mm) | 1 | - | - | - | - | 2 | UL1061 | 28 | red | 270 | 3 | - | - | - | - | 4 | UL1061 | 28 | black | 270 | 5 | UL1061 | 28 | yellow | 270 | 6 | UL1061 | 28 | green | 270 | 7 | UL1061 | 28 | blue | 270 | 8 | - | - | - | - | 9 | UL1061 | 28 | orange | 270 | 10 | UL1061 | 28 | purple | 270 |
| Pin # | Wire | AWG | Color | Length l (mm) | | | | | | | | | | | | | | | | | | | | | | | | | | | | | | | | | | | | | | | | | | | | | | | | | | | | | |
| 1 | - | - | - | - | | | | | | | | | | | | | | | | | | | | | | | | | | | | | | | | | | | | | | | | | | | | | | | | | | | | | |
| 2 | UL1061 | 28 | red | 270 | | | | | | | | | | | | | | | | | | | | | | | | | | | | | | | | | | | | | | | | | | | | | | | | | | | | | |
| 3 | - | - | - | - | | | | | | | | | | | | | | | | | | | | | | | | | | | | | | | | | | | | | | | | | | | | | | | | | | | | | |
| 4 | UL1061 | 28 | black | 270 | | | | | | | | | | | | | | | | | | | | | | | | | | | | | | | | | | | | | | | | | | | | | | | | | | | | | |
| 5 | UL1061 | 28 | yellow | 270 | | | | | | | | | | | | | | | | | | | | | | | | | | | | | | | | | | | | | | | | | | | | | | | | | | | | | |
| 6 | UL1061 | 28 | green | 270 | | | | | | | | | | | | | | | | | | | | | | | | | | | | | | | | | | | | | | | | | | | | | | | | | | | | | |
| 7 | UL1061 | 28 | blue | 270 | | | | | | | | | | | | | | | | | | | | | | | | | | | | | | | | | | | | | | | | | | | | | | | | | | | | | |
| 8 | - | - | - | - | | | | | | | | | | | | | | | | | | | | | | | | | | | | | | | | | | | | | | | | | | | | | | | | | | | | | |
| 9 | UL1061 | 28 | orange | 270 | | | | | | | | | | | | | | | | | | | | | | | | | | | | | | | | | | | | | | | | | | | | | | | | | | | | | |
| 10 | UL1061 | 28 | purple | 270 | | | | | | | | | | | | | | | | | | | | | | | | | | | | | | | | | | | | | | | | | | | | | | | | | | | | | |
| <p>●Model number H-SN-20</p> <p>Housing : PHDR-10VS(J.S.T.) Pin : SPHD-002T-P0.5(J.S.T.) Weight : 8g max</p> | <p>●Type</p>  | <p>●Wire</p> <table border="1"> <thead> <tr> <th>Pin #</th> <th>Wire</th> <th>AWG</th> <th>Color</th> <th>Length l (mm)</th> </tr> </thead> <tbody> <tr> <td>1</td> <td>-</td> <td>-</td> <td>-</td> <td>-</td> </tr> <tr> <td>2</td> <td>UL1061</td> <td>28</td> <td>red</td> <td>500</td> </tr> <tr> <td>3</td> <td>-</td> <td>-</td> <td>-</td> <td>-</td> </tr> <tr> <td>4</td> <td>UL1061</td> <td>28</td> <td>black</td> <td>500</td> </tr> <tr> <td>5</td> <td>UL1061</td> <td>28</td> <td>yellow</td> <td>500</td> </tr> <tr> <td>6</td> <td>UL1061</td> <td>28</td> <td>green</td> <td>500</td> </tr> <tr> <td>7</td> <td>UL1061</td> <td>28</td> <td>blue</td> <td>500</td> </tr> <tr> <td>8</td> <td>UL1061</td> <td>28</td> <td>black</td> <td>500</td> </tr> <tr> <td>9</td> <td>UL1061</td> <td>28</td> <td>orange</td> <td>500</td> </tr> <tr> <td>10</td> <td>UL1061</td> <td>28</td> <td>purple</td> <td>500</td> </tr> </tbody> </table> | Pin # | Wire | AWG | Color | Length l (mm) | 1 | - | - | - | - | 2 | UL1061 | 28 | red | 500 | 3 | - | - | - | - | 4 | UL1061 | 28 | black | 500 | 5 | UL1061 | 28 | yellow | 500 | 6 | UL1061 | 28 | green | 500 | 7 | UL1061 | 28 | blue | 500 | 8 | UL1061 | 28 | black | 500 | 9 | UL1061 | 28 | orange | 500 | 10 | UL1061 | 28 | purple | 500 |
| Pin # | Wire | AWG | Color | Length l (mm) | | | | | | | | | | | | | | | | | | | | | | | | | | | | | | | | | | | | | | | | | | | | | | | | | | | | | |
| 1 | - | - | - | - | | | | | | | | | | | | | | | | | | | | | | | | | | | | | | | | | | | | | | | | | | | | | | | | | | | | | |
| 2 | UL1061 | 28 | red | 500 | | | | | | | | | | | | | | | | | | | | | | | | | | | | | | | | | | | | | | | | | | | | | | | | | | | | | |
| 3 | - | - | - | - | | | | | | | | | | | | | | | | | | | | | | | | | | | | | | | | | | | | | | | | | | | | | | | | | | | | | |
| 4 | UL1061 | 28 | black | 500 | | | | | | | | | | | | | | | | | | | | | | | | | | | | | | | | | | | | | | | | | | | | | | | | | | | | | |
| 5 | UL1061 | 28 | yellow | 500 | | | | | | | | | | | | | | | | | | | | | | | | | | | | | | | | | | | | | | | | | | | | | | | | | | | | | |
| 6 | UL1061 | 28 | green | 500 | | | | | | | | | | | | | | | | | | | | | | | | | | | | | | | | | | | | | | | | | | | | | | | | | | | | | |
| 7 | UL1061 | 28 | blue | 500 | | | | | | | | | | | | | | | | | | | | | | | | | | | | | | | | | | | | | | | | | | | | | | | | | | | | | |
| 8 | UL1061 | 28 | black | 500 | | | | | | | | | | | | | | | | | | | | | | | | | | | | | | | | | | | | | | | | | | | | | | | | | | | | | |
| 9 | UL1061 | 28 | orange | 500 | | | | | | | | | | | | | | | | | | | | | | | | | | | | | | | | | | | | | | | | | | | | | | | | | | | | | |
| 10 | UL1061 | 28 | purple | 500 | | | | | | | | | | | | | | | | | | | | | | | | | | | | | | | | | | | | | | | | | | | | | | | | | | | | | |

●Model number
H-SN-21

Housing : PHDR-10VS(J.S.T)
Pin : SPHD-002T-P0.5(J.S.T)
Weight : 6g max

●Type

●Wire

| Pin # | Wire | AWG | Color | Length ℓ (mm) |
|-------|--------|-----|--------|--------------------|
| 1 | - | - | - | - |
| 2 | - | - | - | - |
| 3 | - | - | - | - |
| 4 | - | - | - | - |
| 5 | UL1061 | 28 | yellow | 500 |
| 6 | UL1061 | 28 | green | 500 |
| 7 | UL1061 | 28 | blue | 500 |
| 8 | UL1061 | 28 | black | 500 |
| 9 | UL1061 | 28 | orange | 500 |
| 10 | UL1061 | 28 | purple | 500 |

●Model number
H-SN-22

Housing : PHDR-8VS(J.S.T)
Pin : SPHD-002T-P0.5(J.S.T)
Weight : 5g max

●Type

●Wire

| Pin # | Wire | AWG | Color | Length ℓ (mm) |
|-------|--------|-----|--------|--------------------|
| 1 | - | - | - | - |
| 2 | - | - | - | - |
| 3 | UL1061 | 28 | pink | 500 |
| 4 | UL1061 | 28 | brown | 500 |
| 5 | UL1061 | 28 | white | 500 |
| 6 | - | - | - | - |
| 7 | UL1061 | 28 | yellow | 500 |
| 8 | UL1061 | 28 | gray | 500 |

●Model number
H-SN-24

CN A :
Housing : PHDR-10VS(J.S.T)
Pin : SPHD-002T-P0.5(J.S.T)

CN B :
Housing : PHDR-08VS(J.S.T)
Pin : SPHD-002T-P0.5(J.S.T)

Weight : 2g max

●Type

●Wire

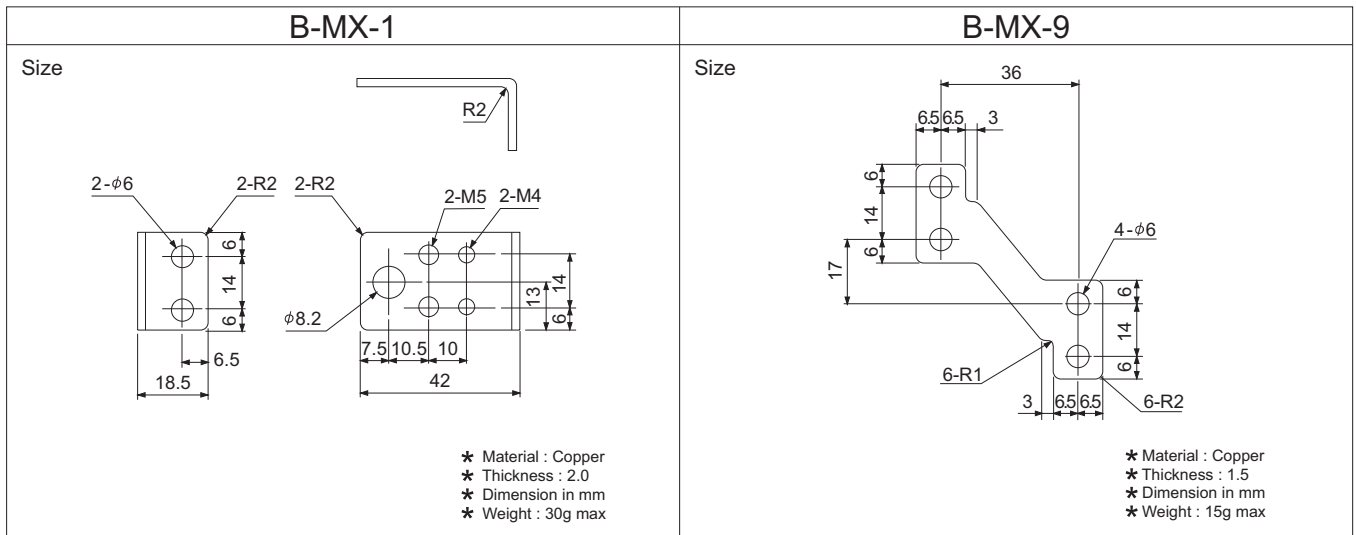
| Pin # | Wire | AWG | Color | Length ℓ (mm) | |
|-------|------|--------|-------|--------------------|----|
| CN A | 1 | UL1061 | 28 | red | 30 |
| | 2 | UL1061 | 28 | red | 30 |
| | 3 | UL1061 | 28 | black | 30 |
| | 4 | UL1061 | 28 | black | 30 |
| | 5 | - | - | - | - |
| | 6 | - | - | - | - |
| | 7 | - | - | - | - |
| | 8 | - | - | - | - |
| | 9 | UL1061 | 28 | black | 70 |
| | 10 | UL1061 | 28 | black | 70 |
| CN B | 1 | - | - | - | |
| | 2 | - | - | - | |
| | 3 | - | - | - | |
| | 4 | UL1061 | 28 | black | 70 |
| | 5 | UL1061 | 28 | black | 70 |
| | 6 | - | - | - | - |
| | 7 | - | - | - | - |
| | 8 | - | - | - | - |

* Pin #1 and #2, Pin #3 and #4 in CN A are connected by harness.
* Pin #9 in CN A and Pin #4 in CN B are connected by harness.
* Pin #10 in CN A and Pin #5 in CN B are connected by harness.

Terminal Attachment

Terminal attachment to facilitate two or more terminal connections to power supply output is prepared in PBA, MAX and ACE series.

| Type | Mating Model | Contents |
|--------|---|---|
| B-MX-1 | PBA600F MAX1600F MAX1600T MAX3200T | Terminal attachment to facilitate terminal connections to power supply output |
| B-MX-9 | MAX1600F MAX1600T MAX3200T | Terminal attachment for series operation as output modules |



- * It is necessary to install B-MX-1 on opposite direction to avoid short-circuit between + and - terminal block.
- * Please note the direction of the installation to prevent the short-circuit between the outputs when using B-MX-1 and B-MX-9 at the same time.
- * The cover of terminal block does not be attached to B-MX-1 with installation screw and solderless terminal occasionally.

Fan unit

★Fan unit is prepared by the option.

PB Series

| Fan unit type | Matching model | External | Pin connection | | | | | | | | |
|---|---------------------------------------|------------------------|---|---------|---------|---|-----|---|-----------|---|-------|
| FAN-PB3 (Standard) | PBA300F <Standard> | ★Weight : 90g max | CONNECTOR = PHR-3 (Mfr : J. S. T) TERMINAL = SPH-002T-P0.5S (Mfr : J. S. T) <table border="1"> <thead> <tr> <th>Pin No.</th> <th>Content</th> </tr> </thead> <tbody> <tr> <td>1</td> <td>GND</td> </tr> <tr> <td>2</td> <td>FAN ALARM</td> </tr> <tr> <td>3</td> <td>POWER</td> </tr> </tbody> </table> LENGTH OF HARNESS = 40 ± 5mm | Pin No. | Content | 1 | GND | 2 | FAN ALARM | 3 | POWER |
| Pin No. | Content | | | | | | | | | | |
| 1 | GND | | | | | | | | | | |
| 2 | FAN ALARM | | | | | | | | | | |
| 3 | POWER | | | | | | | | | | |
| FAN-PB3-F3 (Air flow reverse : -F3) | PBA300F <Modification : F3> | ★Weight : 90g max | | | | | | | | | |
| FAN-PB3-F4 (Low speed : -F4) | PBA300F <Modification : F4> | ★Weight : 90g max | | | | | | | | | |
| FAN-PB6 (Standard) | PBA600F <Standard> | ★Weight : 120g max | CONNECTOR = XAP-03V-1 (Mfr : J. S. T) TERMINAL = SXA-001T-P0.6 (Mfr : J. S. T) <table border="1"> <thead> <tr> <th>Pin No.</th> <th>Content</th> </tr> </thead> <tbody> <tr> <td>1</td> <td>GND</td> </tr> <tr> <td>2</td> <td>FAN ALARM</td> </tr> <tr> <td>3</td> <td>POWER</td> </tr> </tbody> </table> LENGTH OF HARNESS = 55 ± 7mm | Pin No. | Content | 1 | GND | 2 | FAN ALARM | 3 | POWER |
| Pin No. | Content | | | | | | | | | | |
| 1 | GND | | | | | | | | | | |
| 2 | FAN ALARM | | | | | | | | | | |
| 3 | POWER | | | | | | | | | | |
| FAN-PB6-F1 (Long life : -F1) | PBA600F <Modification : F1> | ★Weight : 150g max | | | | | | | | | |
| FAN-PB6-F3 (Air flow reverse : -F3) | PBA600F <Modification : F3> | ★Weight : 120g max | | | | | | | | | |
| FAN-PB6-F4 (Low speed : -F4) | PBA600F <Modification : F4> | ★Weight : 120g max | | | | | | | | | |

★ 1 Handle with care and don't add the impact such as falls or throwing to the unit.

★ 2 Exchange the unit after intercepting the input power.

★ 3 When the unit is exchanged, make sure there are not loosening of the connector and shutting the harness.

Fan unit

PB Series

★ Fan unit is prepared by the option.

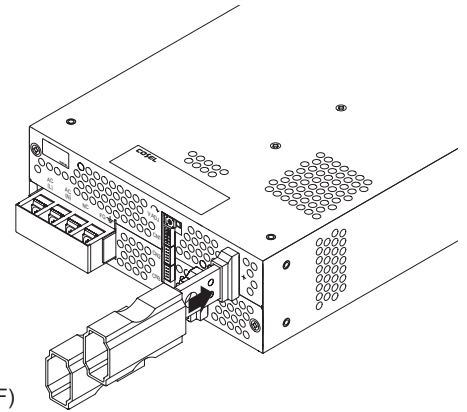
| Fan unit type | Matching model | External | Pin connection | | | | | | | | |
|--|---|------------------------|---|---------|---------|---|-----|---|-----------|---|-------|
| FAN-PB10 (Standard) | PBA1000F <Standard> | ★Weight : 210g max | <p>CONNECTOR = XAP-03V-1 (Mfr : J. S. T) TERMINAL = SXA-001T-P0.6 (Mfr : J. S. T)</p> <table border="1"> <thead> <tr> <th>Pin No.</th> <th>Content</th> </tr> </thead> <tbody> <tr> <td>1</td> <td>GND</td> </tr> <tr> <td>2</td> <td>FAN ALARM</td> </tr> <tr> <td>3</td> <td>POWER</td> </tr> </tbody> </table> <p>LENGTH OF HARNESS = 55 ± 7mm</p> | Pin No. | Content | 1 | GND | 2 | FAN ALARM | 3 | POWER |
| Pin No. | Content | | | | | | | | | | |
| 1 | GND | | | | | | | | | | |
| 2 | FAN ALARM | | | | | | | | | | |
| 3 | POWER | | | | | | | | | | |
| FAN-PB10-F1 (Long life : -F1) | PBA1000F <Modification : F1> | ★Weight : 260g max | | | | | | | | | |
| FAN-PB10-F3 (Air flow reverse : -F3) | PBA1000F <Modification : F3> | ★Weight : 210g max | | | | | | | | | |
| FAN-PB10-F4 (Low speed : -F4) | PBA1000F <Modification : F4> | ★Weight : 200g max | | | | | | | | | |
| FAN-PB15 (Standard) | PBA1500F PBA1500T <Standard> | ★Weight : 210g max | | | | | | | | | |
| FAN-PB15-F1 (Long life : -F1) | PBA1500F PBA1500T <Modification : F1> | ★Weight : 260g max | | | | | | | | | |
| FAN-PB15-F3 (Air flow reverse : -F3) | PBA1500F PBA1500T <Modification : F3> | ★Weight : 210g max | | | | | | | | | |
| FAN-PB15-F4 (Low speed : -F4) | PBA1500F PBA1500T <Modification : F4> | ★Weight : 200g max | | | | | | | | | |

- ★ 1 Handle with care and don't add the impact such as falls or throwing to the unit.
- ★ 2 Exchange the unit after intercepting the input power.
- ★ 3 When the unit is exchanged, make sure there are not loosening of the connector and shutting the harness.

Insulated tube for PBA1000F, PBA1500F, PBA1500T, PJA1000F & PJA1500F

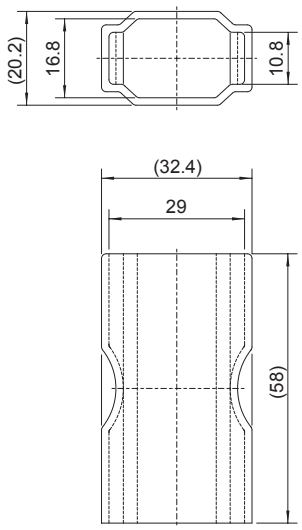
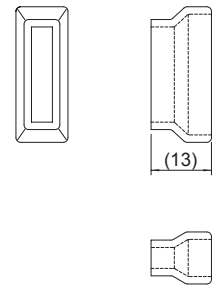
This is a tube used to insulate an output terminal.

| Plate model | Applicable to model |
|-------------|--|
| T-PBA1500-1 | PBA1000F, PBA1500F, PBA1500T, PJA1000F, PJA1500F |
| T-PBA1500-2 | PBA1000F, PBA1500F, PBA1500T, PJA1000F, PJA1500F |



Example(PBA1500F)

(Unit : mm) (Tolerance : ±1)

| T-PBA1500-1 | T-PBA1500-2 |
|--|--|
| <p>★ This is used when insulating the tip portion of an output terminal.</p>  <p>★ Material : Silicone rubber Black ★ Weight : 15g max</p> | <p>★ This is used when insulating the root portion of an output terminal.</p>  <p>★ Material : Silicone rubber Black ★ Weight : 2g max</p> |

★ If this product is attached, a wiring portion can't visible.
Be careful not to forget to attach the screw or the bolt for electric wire connection.