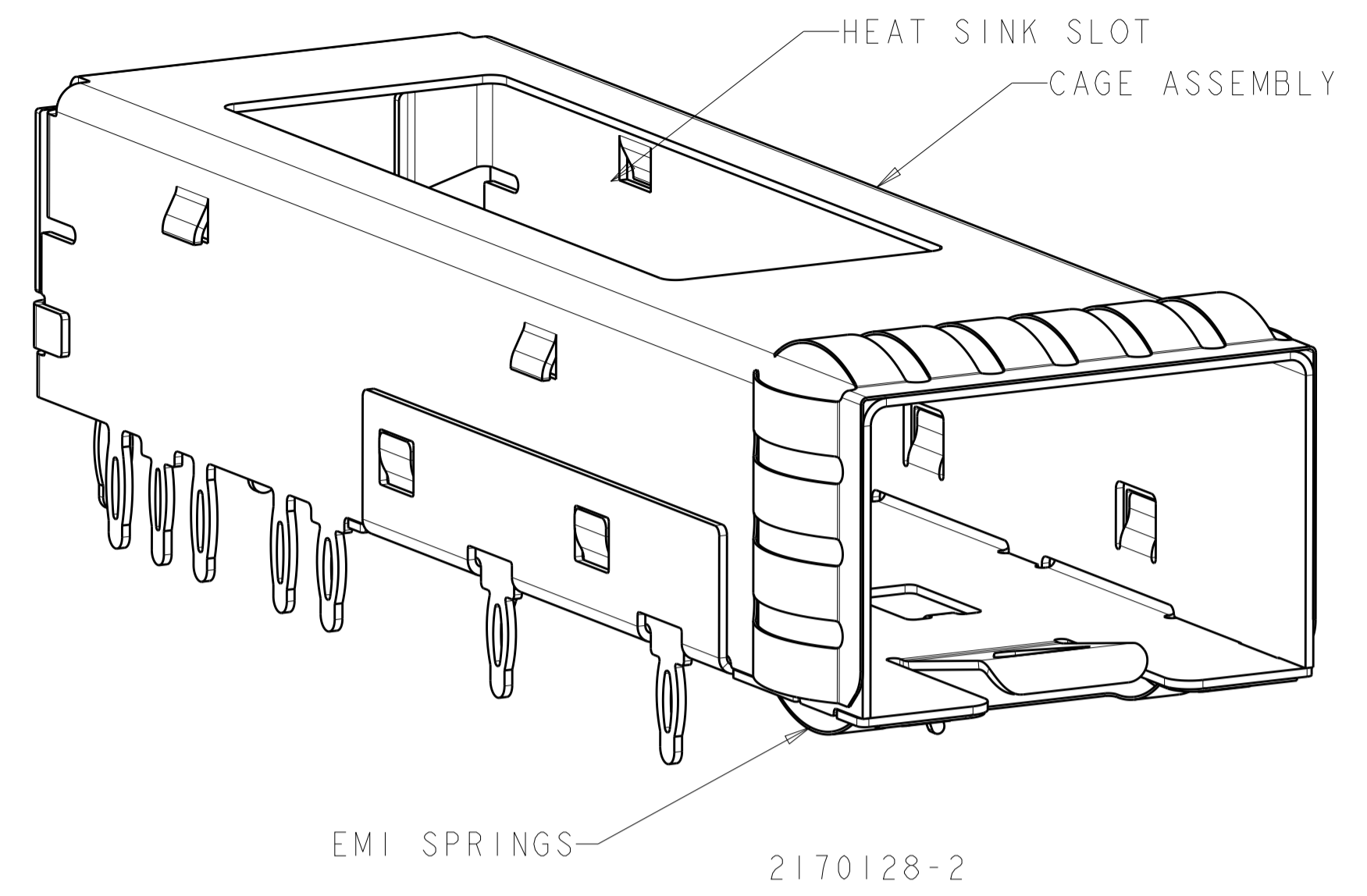
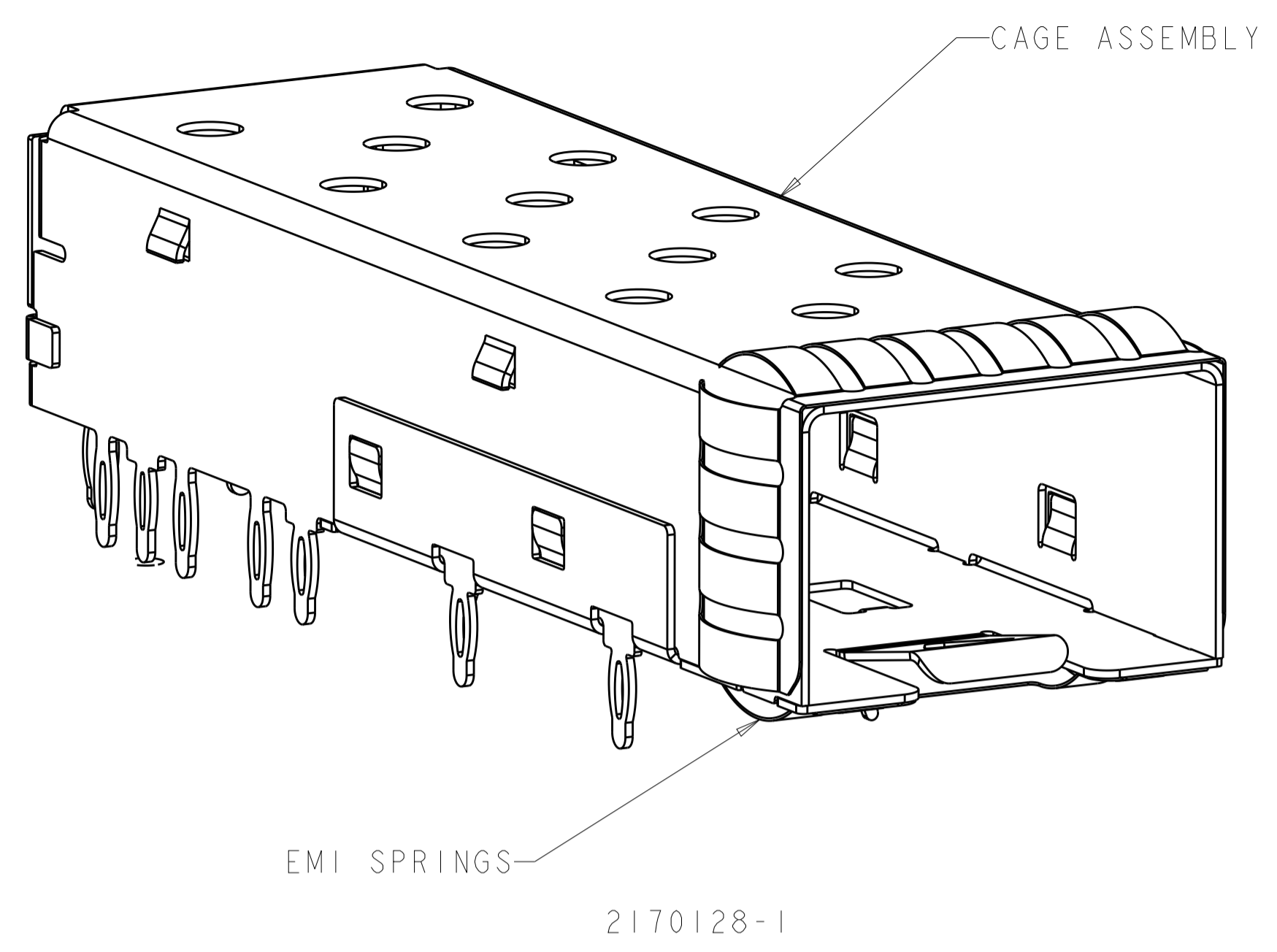
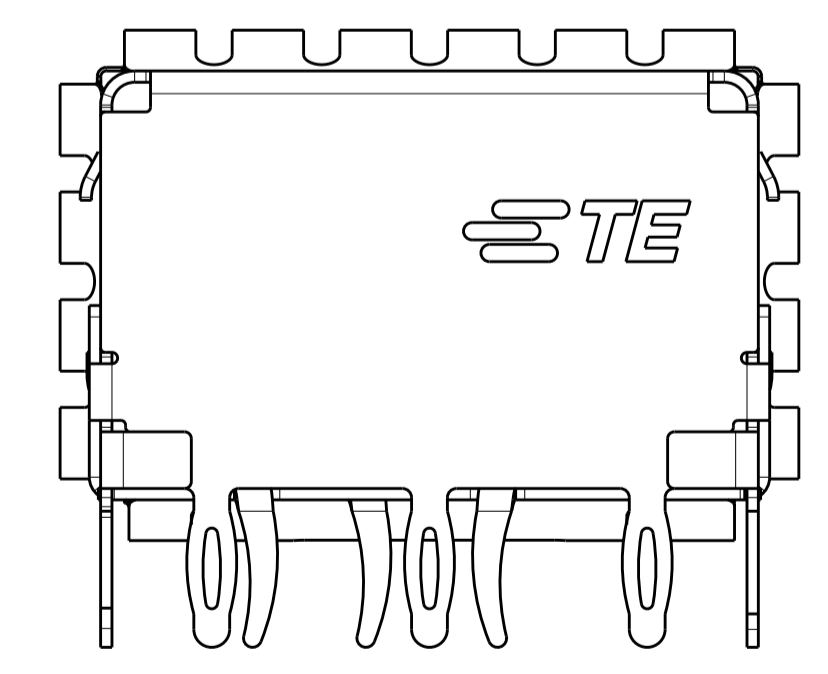
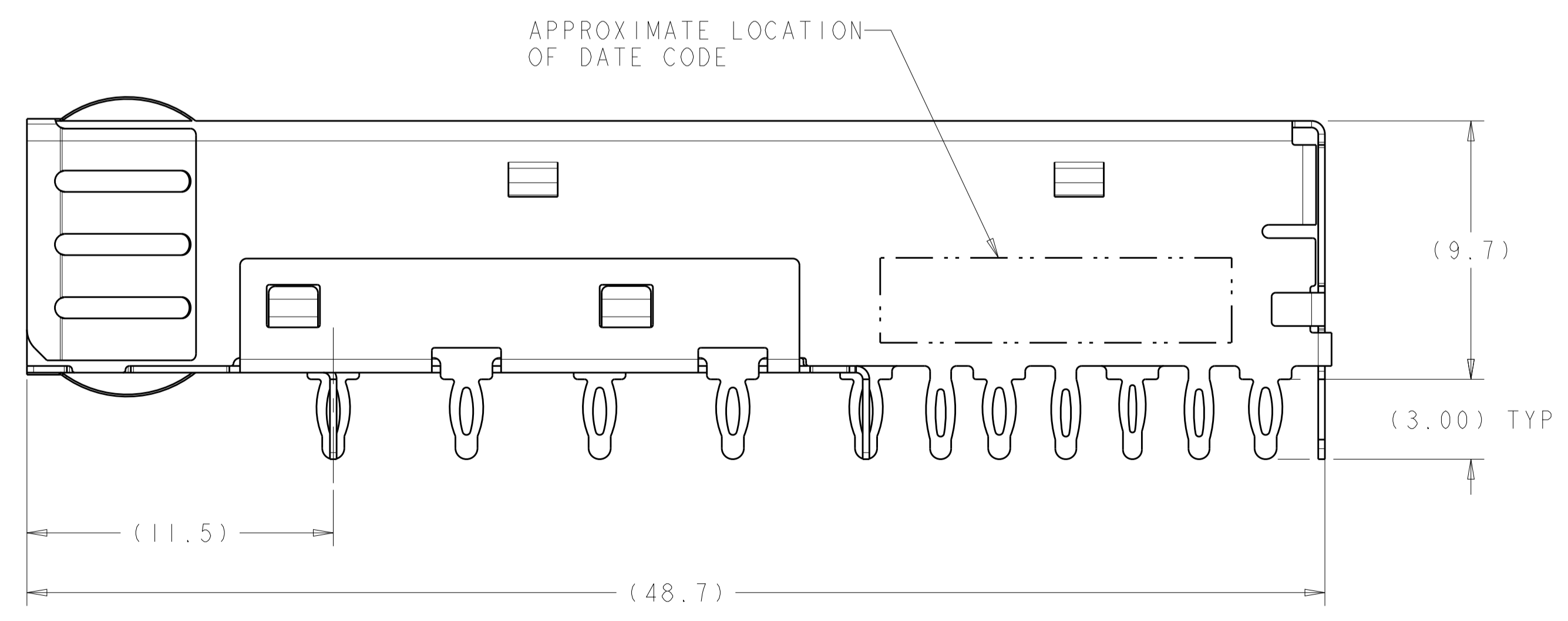
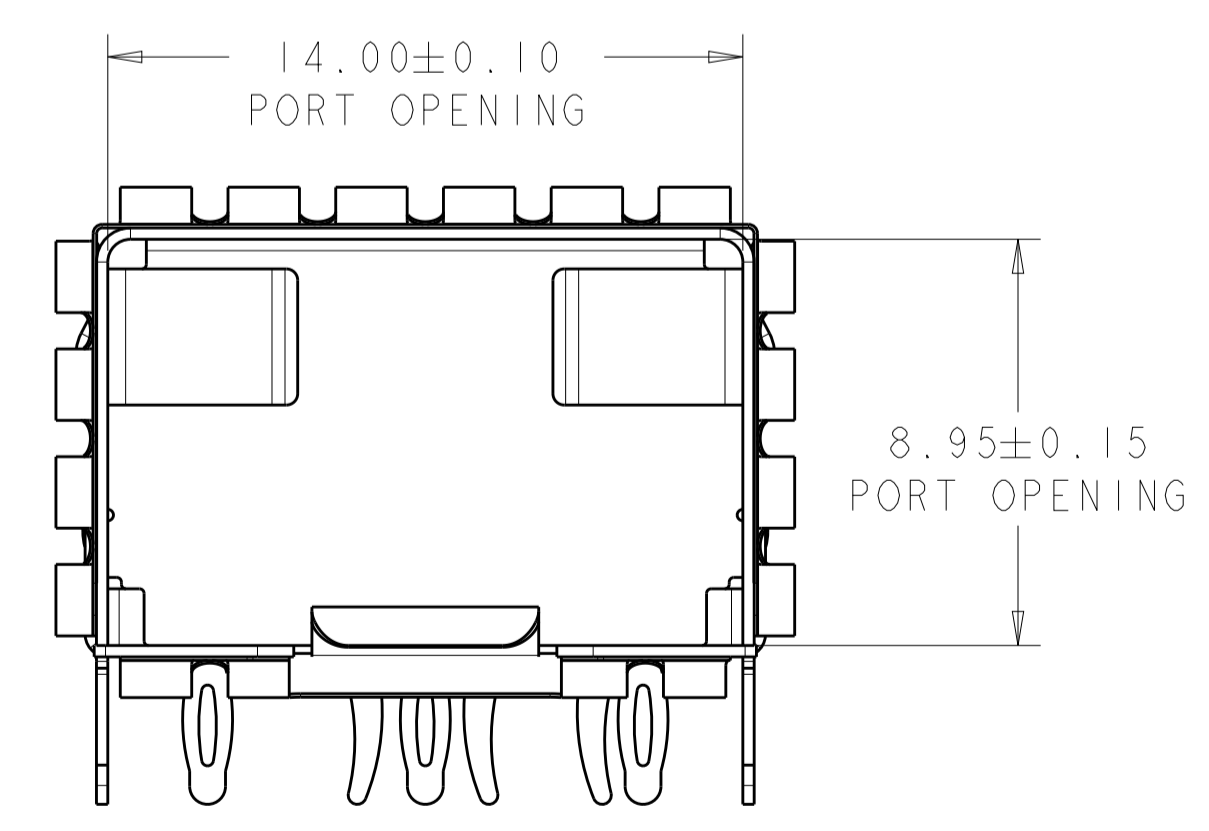
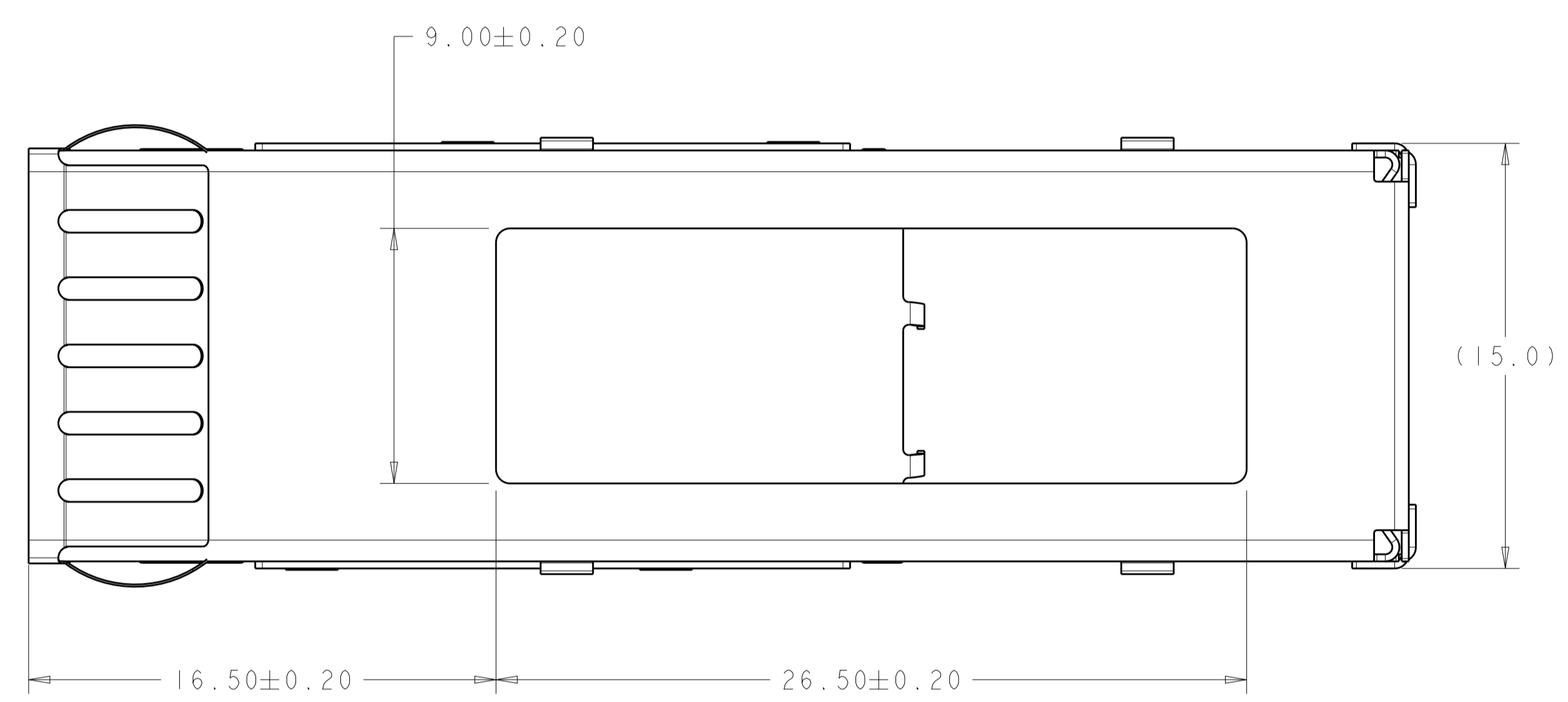


LOC	DIST	REVISIONS			
P	LTN	DESCRIPTION	DATE	DMN	APVD
A		RELEASED PER ECO-13-007850	09MAY2013	PP	SH
A1		RELEASED PER ECO-13-015033	24SEP2013	JZ	SH



- ⚠ MATERIAL:
CAGE ASSEMBLY - NICKEL-SILVER ALLOY.
EMI SPRINGS - COPPER ALLOY.
- ⚠ FINISH:
EMI SPRINGS - 0.8um MIN MATTE TIN OVER 0.8um MIN NICKEL
NON-PLATED EDGES PERMISSIBLE.
- 3. MATES WITH SFP MSA COMPLIANT TRANSCEIVERS.
- ⚠ PADS AND VIAS CHASSIS GROUND.
- ⚠ DATUM AND BASIC DIMENSION ESTABLISHED BY CUSTOMER.
- 6. MINIMUM PC BOARD THICKNESS:
SINGLE SIDED = 1.50 mm
- ⚠ REFERENCE APPLICATION SPEC. 114-13120, HOLE A, FOR
RECOMMENDED DRILL HOLE DIAMETER AND PLATING
THICKNESS.
- ⚠ REFERENCE APPLICATION SPEC. 114-13120, HOLE C, FOR
RECOMMENDED DRILL HOLE DIAMETER AND PLATING
THICKNESS.



WITH HEAT SINK SLOT	2170128-2
WITHOUT HEAT SINK SLOT	2170128-1
DESCRIPTION	PART NUMBER

THIS DRAWING IS A CONTROLLED DOCUMENT.		DMN TIM XUE 30AUG2011	TE Connectivity NAME SFP+ 1X1 CAGE ASSEMBLY PRESS-FIT, EXTERNAL EMI SPRINGS PRODUCT SPEC 108-2364 APPLICATION SPEC 114-13120 SIZE CAGE CODE DRAWING NO RESTRICTED TO A100779C=2170128 Customer Drawing SCALE 6:1 SHEET 1 OF 2 REV A1
DIMENSIONS:		CHK C. WANG 30AUG2011	
TOLERANCES UNLESS OTHERWISE SPECIFIED:		APVD C. WANG 30AUG2011	
MATERIAL		WEIGHT	
mm	0 PLC ±0.25 1 PLC ±0.20 2 PLC ±0.20 3 PLC ±0.15 4 PLC ±0.15	ANGLES	
FINISH			

