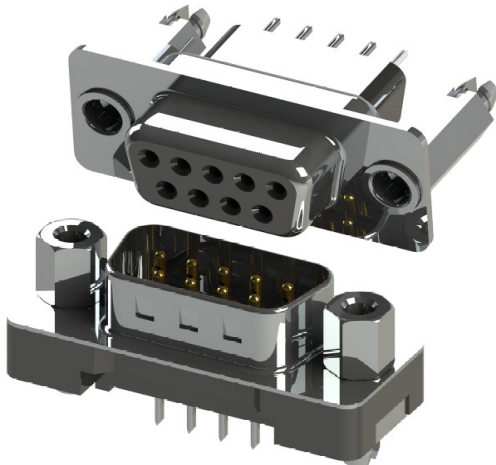




# SERIES 627/628: D-SUB CONNECTOR

Plug and Receptacle, Vertical, PCB Mount, Plastic or Metal Body

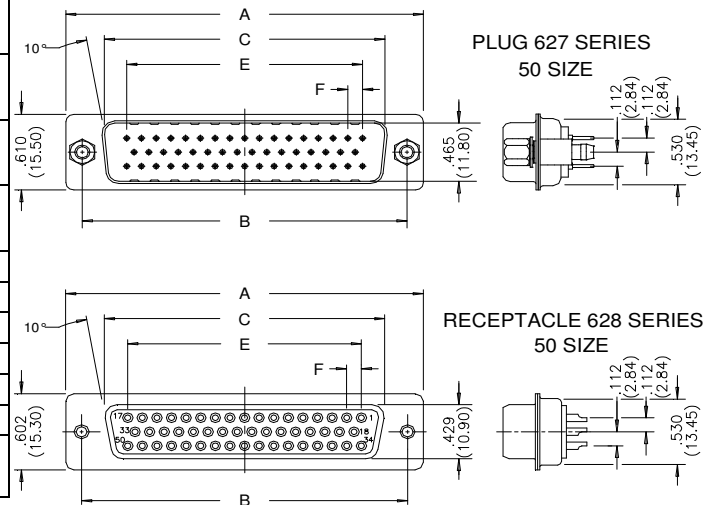


- Both Low and High Profiles are available
- .109" (2.77mm) Contact Spacing x .112" (2.82mm) Row Spacing
- Plug and Receptacle in 9, 15, 25, 37 or 50 Contact Sizes (50 Contact Size Available only in Metal Body)
- Pin and Socket Contact Mating Design with P.C. Tail Termination
- Metal Shell Provides EMI/RFI Shielding, Plug Shell Indents provide Grounding and Additional Mating Retention
- Grounding Features include Two Prong Boardlock for Exceptional Retention to P.C. Board
- Mounting Options for Panel Mount or Connector Mating include Through Hole, Threaded Inserts and Threaded Standoffs
- D-Shaped Connector Mating Outline provides Polarization
- Design based on Requirements of MIL-C-24038, EIA RS-232 and RS-449

## Specifications:

Insulator Material	Thermoplastic Polyester, UL 94V-0, Chemical Resistant, Color: Black
Contact Material	Plug (Pins): Brass Receptacle (Socket): Brass or Phosphor Bronze
Contact Plating	Selective Gold (See Ordering Code) over Nickel for the Mating Area, Tin Plating for Tail Area
Ferrite Specs:	20dB MIN @30 MHz, 30dB MIN @50 MHz, and 50dB MIN @100 MHz
Shell Material	Nickel Plated Steel (Optional Tin Plating)
Current Rating	5A Per Contact
Contact Resistance	10 Milliohms MAX
Insulation Resistance	5000 Megohms MIN
Dielectric Voltage	1000V AC rms at Sea Level
Operating Temp.	-55°C To +105°C
Mating and Unmating Force	1oz To 10oz (0.28N To 2.78N) Per Contact Position

\*\*50 Contact Size Only Available in Metal Body



## Ordering Code: 627-025-220-043

SERIES: \_\_\_\_\_  
627: PLUG (PIN)  
628: RECEPTACLE (SOCKET)

NO. OF CONTACTS: \_\_\_\_\_  
009 - 9 CONTACTS    025 - 25 CONTACTS  
015 - 15 CONTACTS    037 - 37 CONTACTS  
050 - 50 CONTACTS (METAL BODY ONLY)

CONTACT FINISH CODE: \_\_\_\_\_  
2 - GOLD FLASH PLATING  
3 - 15 MICROINCHES OF GOLD PLATING  
6 - 30 MICROINCHES OF GOLD PLATING

TERMINATION: \_\_\_\_\_  
010 - CRIMP AND LOAD (CABLE ASSEMBLY)

CONTACT CODE: \_\_\_\_\_  
20 - .105" (2.67mm) TO .160" (4.06mm) PC TAIL  
21 - .125" (3.18mm) TO .165" (4.20mm) PC TAIL  
22 - SOLDER CUP TAIL  
26 - PRESS FIT CONTACT  
28 - .110" (2.80mm) FERRITE FILTER

MOUNTING OPTIONS:  
0 - NO CONTACTS (CRIMP AND LOAD ONLY)  
1 - Ø.125" (Ø3.18MM) THROUGH HOLE  
2 - 4-40 UNC THREADED INSERT  
3 - 4-40 UNC THREADED STANDOFF  
4 - 4-40 UNC THREADED INSERT WITH DIP SOLDER PRONGS  
5 - 4-40 UNC THREADED STANDOFF WITH DIP SOLDER PRONGS  
6 - 4-40 UNC THREADED INSERT WITH BOARDLOCKS  
7 - 4-40 UNC THREADED STANDOFF WITH BOARDLOCKS  
8 - 4-40 UNC THREADED FIXED STANDOFF

GROUNDING FEATURE: \_\_\_\_\_ CRIMP AND LOAD TERMINATION ONLY:  
1 - LOW PROFILE PLASTIC BODY    0 - NO HARDWARE  
4 - LOW PROFILE METAL BODY    1 - .098" (2.49mm) CLINCH NUT (BOARDSIDE)  
5 - HIGH PROFILE (METAL BODY ONLY)    2 - .236" (6.00mm) CLINCH NUT (BOARDSIDE)  
3 - .236" (6.00mm) CLINCH NUT (MATING SIDE)

MATERIAL CODE: \_\_\_\_\_ CRIMP AND LOAD TERMINATION ONLY:  
0 - BRASS (627); PHOSPHOR BRONZE (628)    2 - TIN PLATED SHELL  
1 - BRASS (628 ONLY)    3 - NICKEL PLATED SHELL  
5 - BRASS, HIGH TEMP INSULATOR (627)  
- PHOSPHOR BRONZE, HIGH TEMP INSULATOR (628)  
6 - BRASS, HIGH TEMP INSULATOR (628 ONLY)



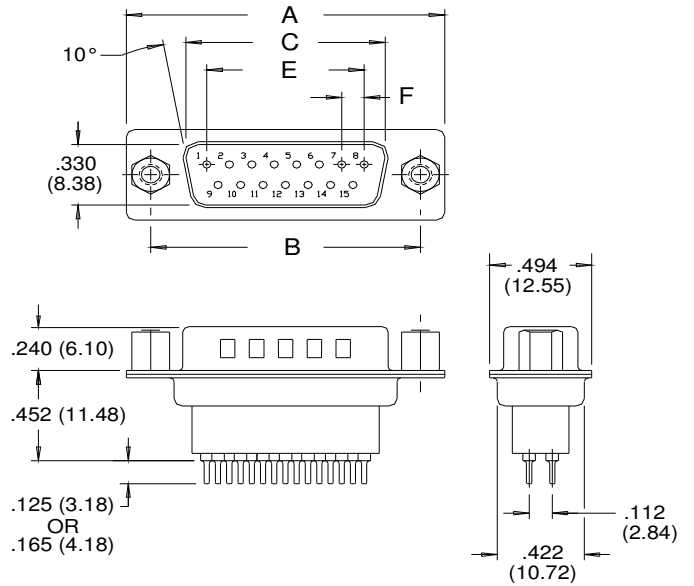
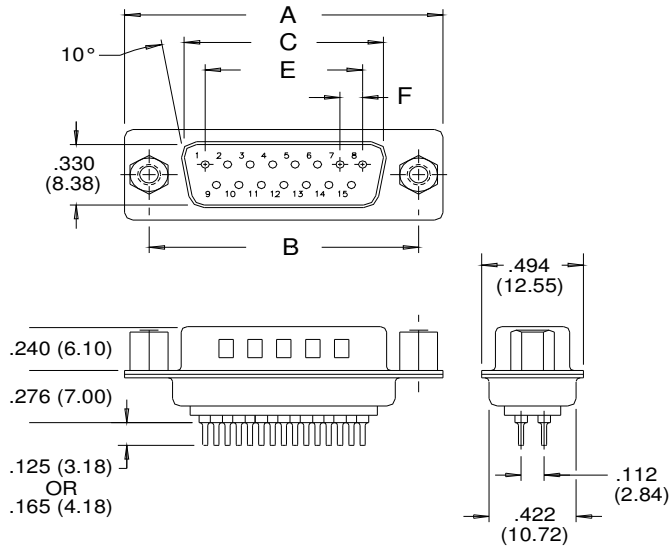
# SERIES 627/628: D-SUB CONNECTOR

Plug and Receptacle, Vertical, PCB Mount, Plastic or Metal Body

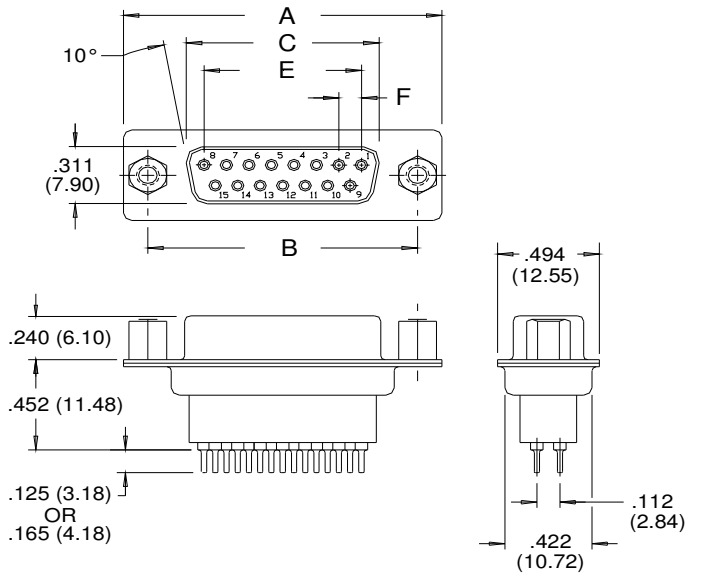
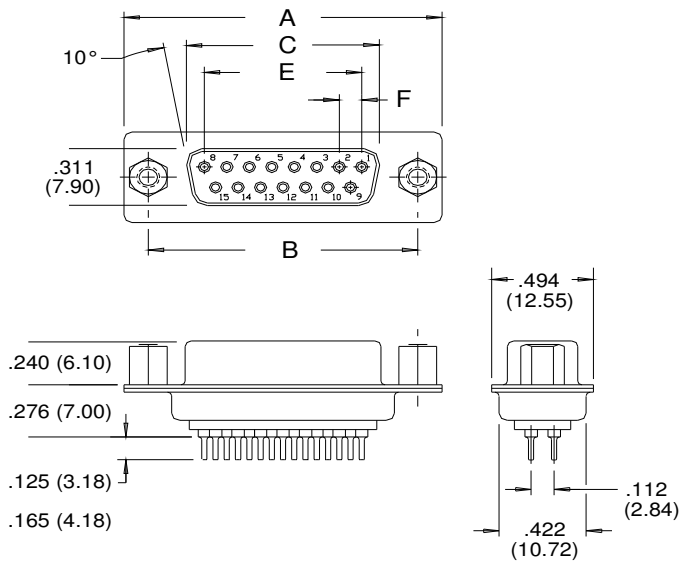
## LOW PROFILE

## PLUG 627 SERIES

## HIGH PROFILE



## RECEPTACLE 628 SERIES



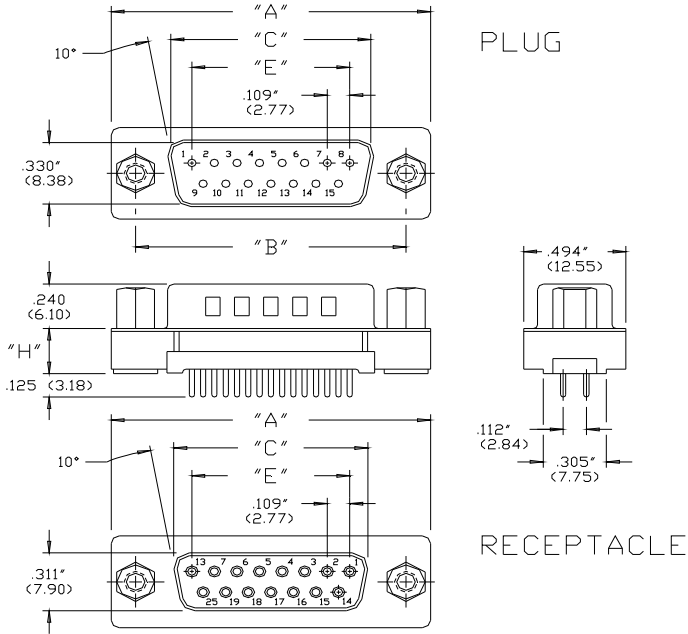
NUMBER OF CONTACTS	A		B		C PLUG		C RECEPTACLE		E		F	
	Inch	(mm)	Inch	(mm)	Inch	(mm)	Inch	(mm)	Inch	(mm)	Inch	(mm)
9	1.214	(30.84)	.984	(24.99)	.667	(16.92)	.640	(16.26)	.432	(10.97)	.108	(2.74)
15	1.545	(39.24)	1.312	(33.32)	.994	(25.25)	.967	(24.56)	.756	(19.20)	.108	(2.74)
25	2.088	(53.04)	1.852	(47.04)	1.534	(38.96)	1.508	(38.30)	1.304	(33.12)	.109	(2.76)
37	2.730	(69.34)	2.500	(63.50)	2.182	(53.08)	2.156	(54.76)	1.956	(49.68)	.109	(2.76)
50	2.645	(67.18)	2.406	(61.11)	2.080	(52.83)	2.059	(52.30)	1.740	(44.20)	.109	(2.76)



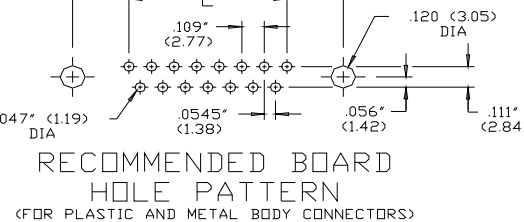
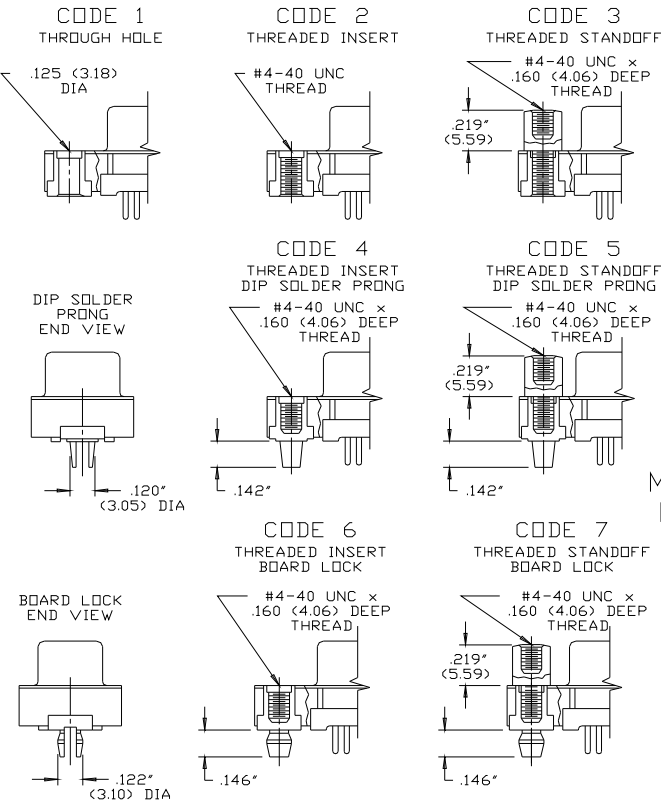
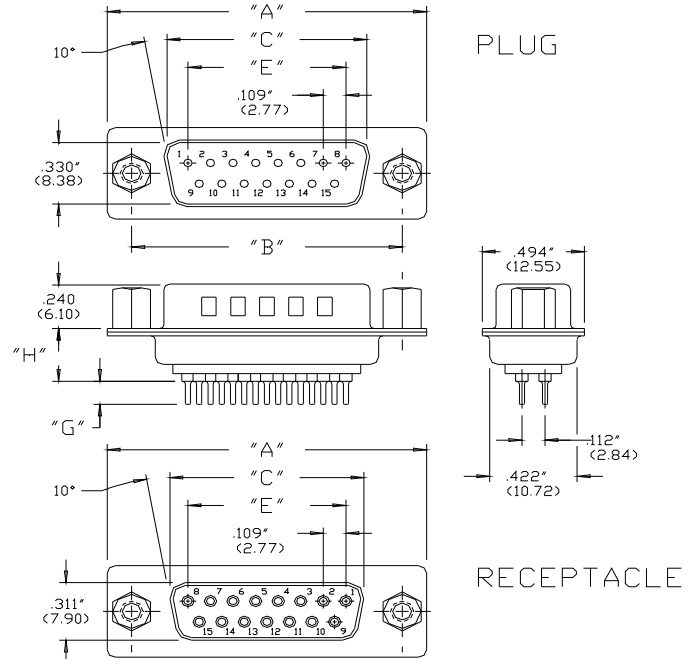
# SERIES 627/628: D-SUB CONNECTOR

Plug and Receptacle, Vertical, PCB Mount, Plastic or Metal Body

## PLASTIC BODY



## METAL BODY



## MOUNTING OPTIONS

