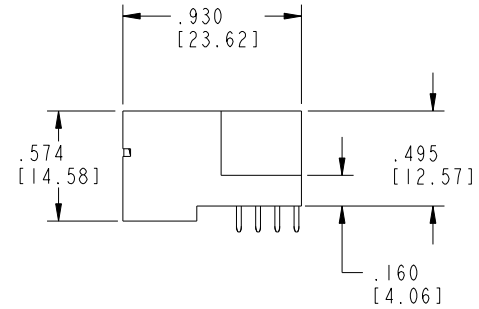
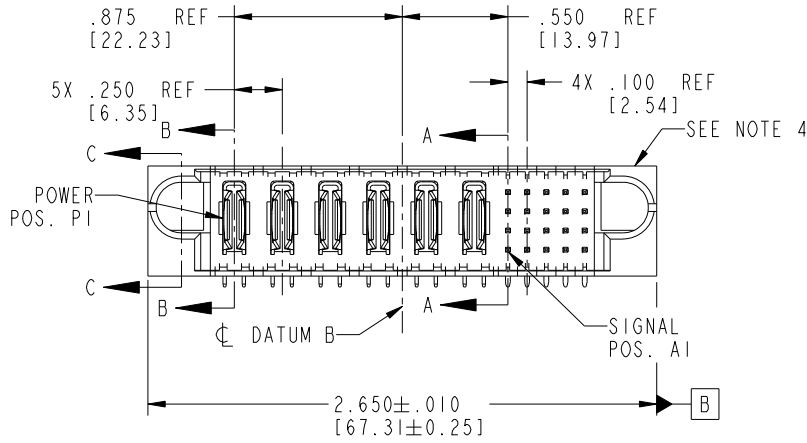
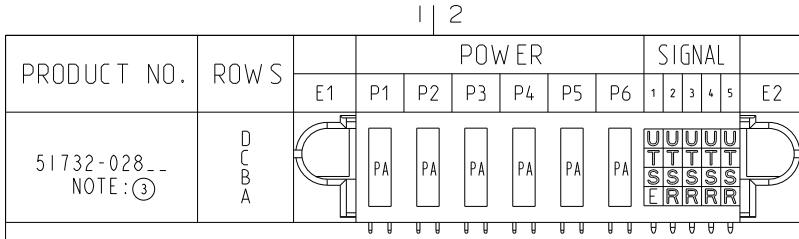


Tous droits strictement réservés. Reproduction ou communication a des tiers interdite sous quelque forme que ce soit sans autorisation écrite du propriétaire. Propriété de c FCI. Droits de reproduction FCI.

All rights strictly reserved. Reproduction or issue to third parties in any form whatever is not permitted without written authority from the proprietor. Property of FCI. Copyright FCI.



CODE	DIM "M" MATING LENGTH	CONTACT TYPE
E	.220 [5.59]	SIGNAL
R	.270 [6.86]	SIGNAL
S	.270 [6.86]	SIGNAL
T	.270 [6.86]	SIGNAL
U	.270 [6.86]	SIGNAL
PA	N/A [N/A]	POWER

mat'l code				SEE NOTE 2		tolerances unless otherwise specified		CUSTOMER		FCI	
ltr	ecn no.	dr	date	linear	.XX±.01/0.XX±0.3	projection		COPY		www.fciconnect.com	
A	DG05-0404	GuoJM	10/20/05		.XXX±.005/0.XX±0.13	INCH/MM		title		6P + 20S	
B	DG05-0554	GuoJM	12/19/05	angles	.XXX±.0020/0.XXX±0.051	scale		product family		PwrBlade	
C	DG08-0251	W D	09/13/08		0°+2°	1:1		size		213	
sheet index		revision sheet	C C	C C	C C			dwg no		sheet 1 of 4	
		1 2	3 4					A 51732-028			

Pro/E

PDM: Rev:C

STATUS: Released

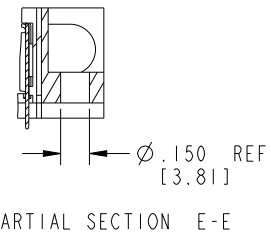
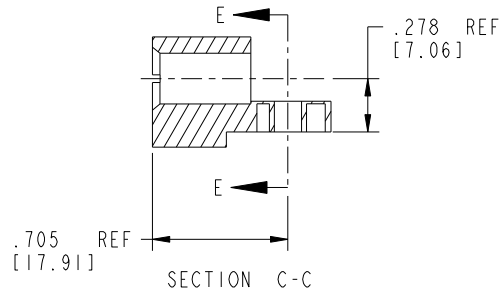
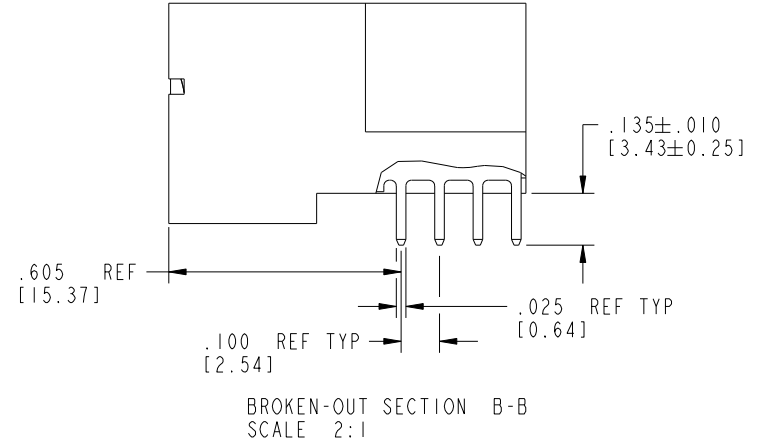
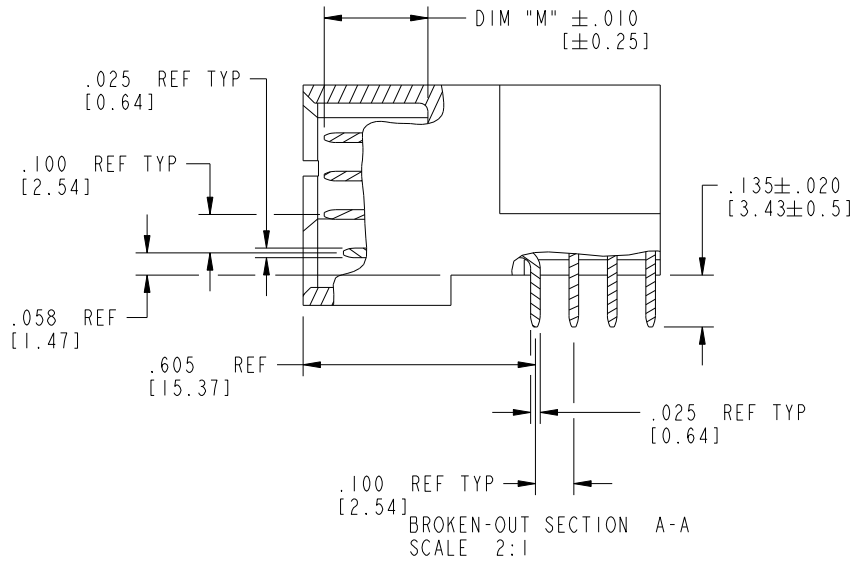
Printed: Dec 20, 2010

Tous droits strictement réservés. Reproduction ou communication a des tiers interdite sous quelque forme que ce soit sans autorisation écrite du propriétaire. Propriété de c FCI. Droits de reproduction FCI.

All rights strictly reserved. Reproduction or issue to third parties in any form whatever is not permitted without written authority from the proprietor. Property of FCI. Copyright FCI.



PRODUCT NUMBER  
51732-028\_\_



mat'l code		SEE NOTE 2		tolerances unless otherwise specified		CUSTOMER		FCI	
lir	ecn no.	dr	date	linear	.XX±.01/0.X±0.3	COPY		www.fciconnect.com	
c				projection	.XXX±.005/0.XX±0.13	INCH/MM		title 6P + 20S	
				angles	.XXX±.0020/0.XXX±0.051	1:1		RIGHT ANGLE SOLDER HEADER	
				dr	JM GUO 10/20/05	scale		product family PwrBlade code	
				engr	LUOS 10/20/05	1:1		size dwg no 213	
				chr	VICTOR LIN 10/20/05			A 51732-028 sheet	
				appd	JOSEPH HSIA 10/20/05			2 of 4	
sheet index	revision sheet								

Pro/E

PDM: Rev: C

STATUS: Released

Printed: Dec 20, 2010

1 | 2

3 |

4

A

A

B

B

1 | 2

3 |

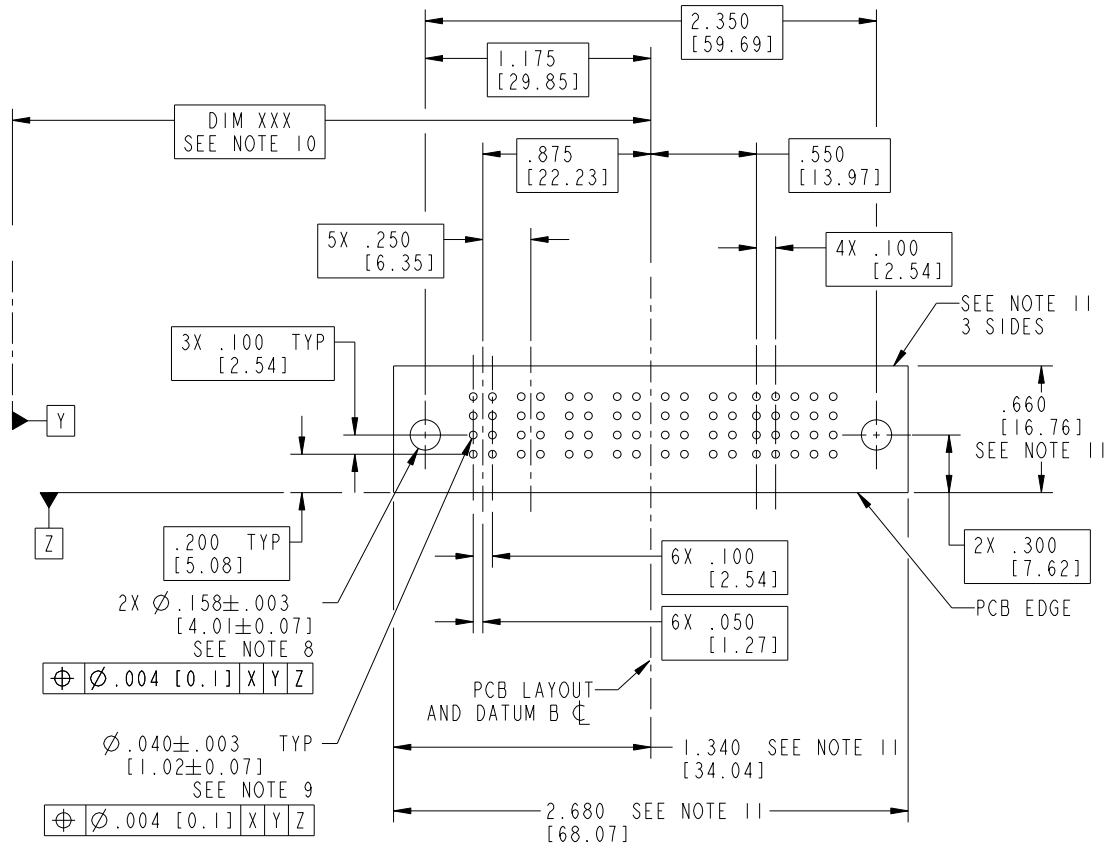
4

Tous droits strictement réservés. Reproduction ou communication a des tiers interdite sous quelque forme que ce soit sans autorisation écrite du propriétaire. Propriété de c FCI. Droits de reproduction FCI.



All rights strictly reserved. Reproduction or issue to third parties in any form whatever is not permitted without written authority from the proprietor. Property of FCI. Copyright FCI.

PRODUCT NUMBER  
51732-028\_\_



RECOMMENDED PCB LAYOUT

mat'l code		SEE NOTE 2		tolerances unless otherwise specified		CUSTOMER		 www.fciconnect.com	
lfr	ecn no.	dr	date	linear	.XX±.01/0.X±0.3	COPY		title	
C				angles	.XXX±.005/0.XX±0.13 .XXX±.0020/0.XXX±0.051	projection		6P + 20S RIGHT ANGLE SOLDER HEADER	
				dr	JM GUO 10/20/05	INCH/MM		product family	
				engr	LUOS 10/20/05	scale		PwrBlade	
				chr	VICTOR LIN 10/20/05	1:1		code	
				appd	JOSEPH HSIA 10/20/05			213	
sheet index	revision sheet							A 51732-028	
								3 of 4	

cage code 28516

Pro/E

PDM: Rev: C

STATUS: Released

Printed: Dec 20, 2010

PRODUCT NUMBER
51732-028__

NOTES:

1. DIMENSIONS AND TOLERANCES ARE IN ACCORDANCE WITH ASME Y14.5M, 1994 UNLESS OTHERWISE SPECIFIED.

CONNECTOR NOTES:

- ② HOUSING MATERIAL: UL 94 V-0 GLASS FILLED HIGH-TEMP THERMOPLASTIC  
POWER CONTACT MATERIAL: COPPER ALLOY  
SIGNAL PIN MATERIAL: COPPER ALLOY

△ 3. SEE ITEM 1 & 2 IN PRINT 10064183 FOR PLATING SPEC OF 51732-028 AND 51732-028LF RESPECTIVELY

- ④ MANUFACTURER'S NAME, P/N, AND DATE CODE TO APPEAR ON THIS SURFACE.
- 5. PRODUCT SPECIFICATION GS-12-149.  
APPLICATION SPECIFICATION BUS-20-067.
- 6. PACKAGED IN TRAYS.

PCB NOTES:

7. ALL HOLE DIAMETERS ARE FINISHED HOLE SIZE.

⑧ MOUNTING HOLES, WHERE APPLICABLE, ARE UNPLATED.

⑨  $\varnothing .0453 \pm .0010$  [1.151 ± 0.025] DRILLED HOLES PLATED WITH .0003 [0.008] MIN SnPb OVER .001 [0.03] TO .003 [0.08] Cu PLATING TO ACHIEVE  $\varnothing .040 \pm .003$  [1.02 ± .07] HOLE.

⑩ "DIM XXX" TO BE DETERMINED BY THE CUSTOMER.

⑪ CONNECTOR KEEP-OUT ZONE.

12. A△ SYMBOL WILL BE NEXT TO ANY DIMENSION, VIEW, OR NOTE WHICH HAS BEEN MODIFIED WITH THE CURRENT DRAWING REVISION.

mat'l code				R	tolerances unless otherwise specified		CUSTOMER		FCI		www.fciconnect.com	
ltr	ecn no.	dr	date		linear	.XX±.01/0.X±0.3	COPY		projection		title	
C						.XXY±.005/0.XX±0.13	INCH/MM				6P + 20S	
					angles	.XXX±.0020/0.XXX±0.051	scale				RIGHT ANGLE SOLDER HEADER	
					dr	JM GUO 10/20/05	1:1		product family		code	
					engr	LUOS 10/20/05			PwrBlade		213	
					chr	VICTOR LIN 10/20/05			size		sheet	
					appd	JOSEPH HSIA 10/20/05			A		4 of 4	
sheet index		revision sheet								51732-028		

Tous droits strictement réservés. Reproduction ou communication a des tiers interdite sous quelque forme que ce soit sans autorisation écrite du propriétaire. Propriete de c FCI. Droits de reproduction FCI.



All rights strictly reserved. Reproduction or issue to third parties in any form whatever is not permitted without written authority from the proprietor. Property of FCI. Copyright FCI.