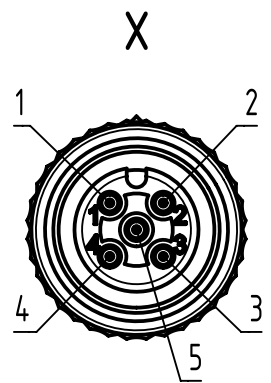
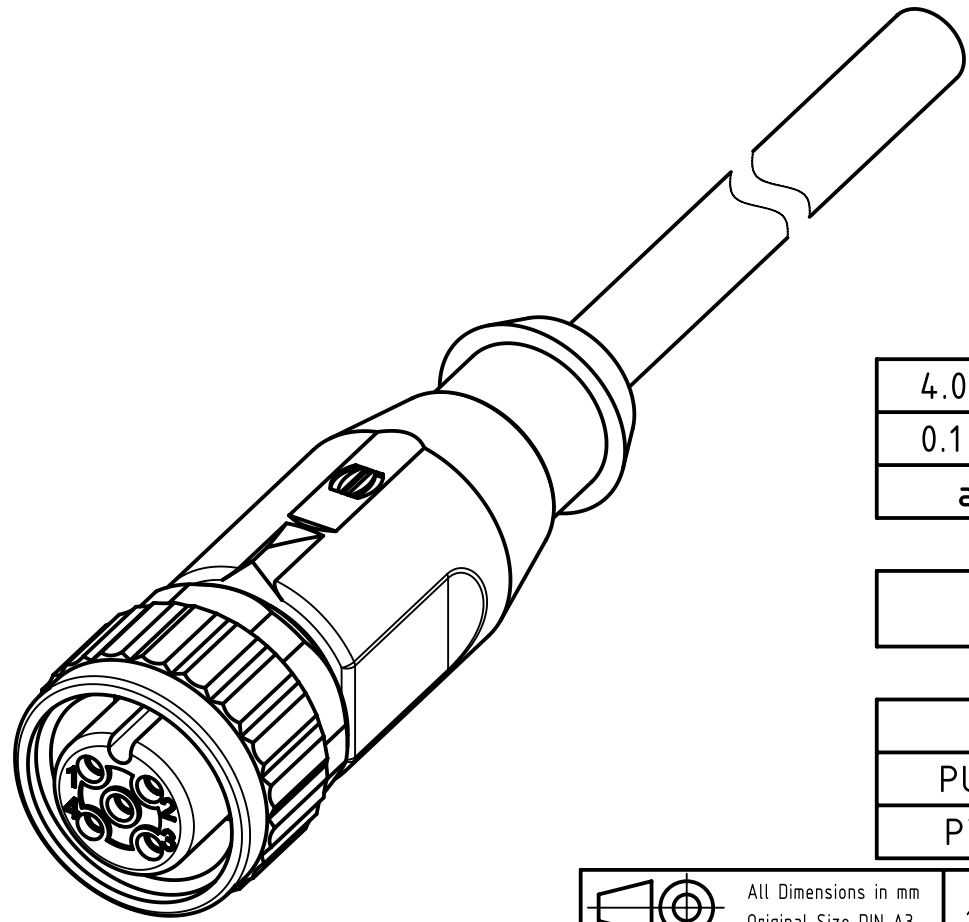


M12 A-coded 5-pole, female straight connector



- Loading-Plan:**
- 1 brown
 - 2 white
 - 3 blue
 - 4 black
 - 5 green-yellow

Protection level: IP67
 Temperature range: -25°C ... +80°C



length in "1m" step	40	XXX=400
	39	XXX=390

	12	XXX=120
	11	XXX=110
length in "0.1m" step	10	XXX=100
	9.9	XXX=099
	9.8	XXX=098

	0.4	XXX=004
	0.3	XXX=003
	0.2	XXX=002
	0.1	XXX=001
Step	a [m]	XXX

4.0 to 40	+1%
0.1 to 3.9	+0.04
a [m]	Tolerance

Part no.	213485005XXXXXX
----------	-----------------

Type of cable	XX
PUR black, 5x0.34mm ²	XX=92
PVC grey, 5x0.34mm ²	XX=85

	All rights reserved		Scale 2:1		Free size tol.		Ref.	
	Department EC PD - RO		Created by POPESCUD	Inspected by AVRAM	Standardisation HOFFMANN	Date 2016-04-13	State Final Release	
HARTING Electronics GmbH		Title M12 A-coded Cable Assembly				Doc-Key / ECM-Nr. 100578860/UGD/009/B 500000103214		Rev. B
D-32339 Espelkamp		Type TB	Number 213485005XXXXXX			Page 1/1		