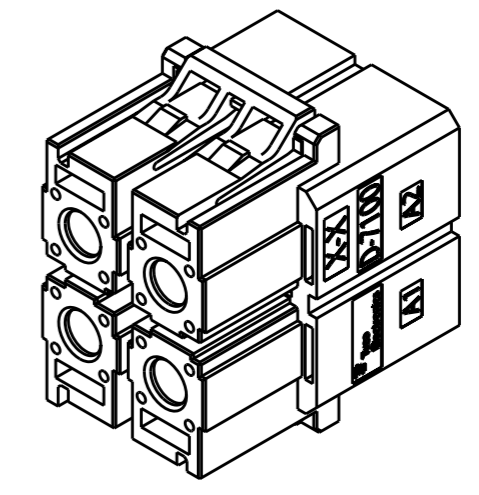
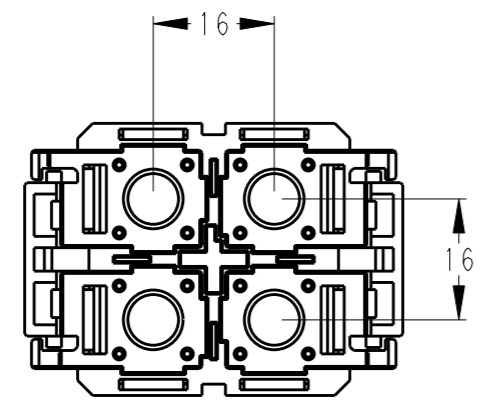


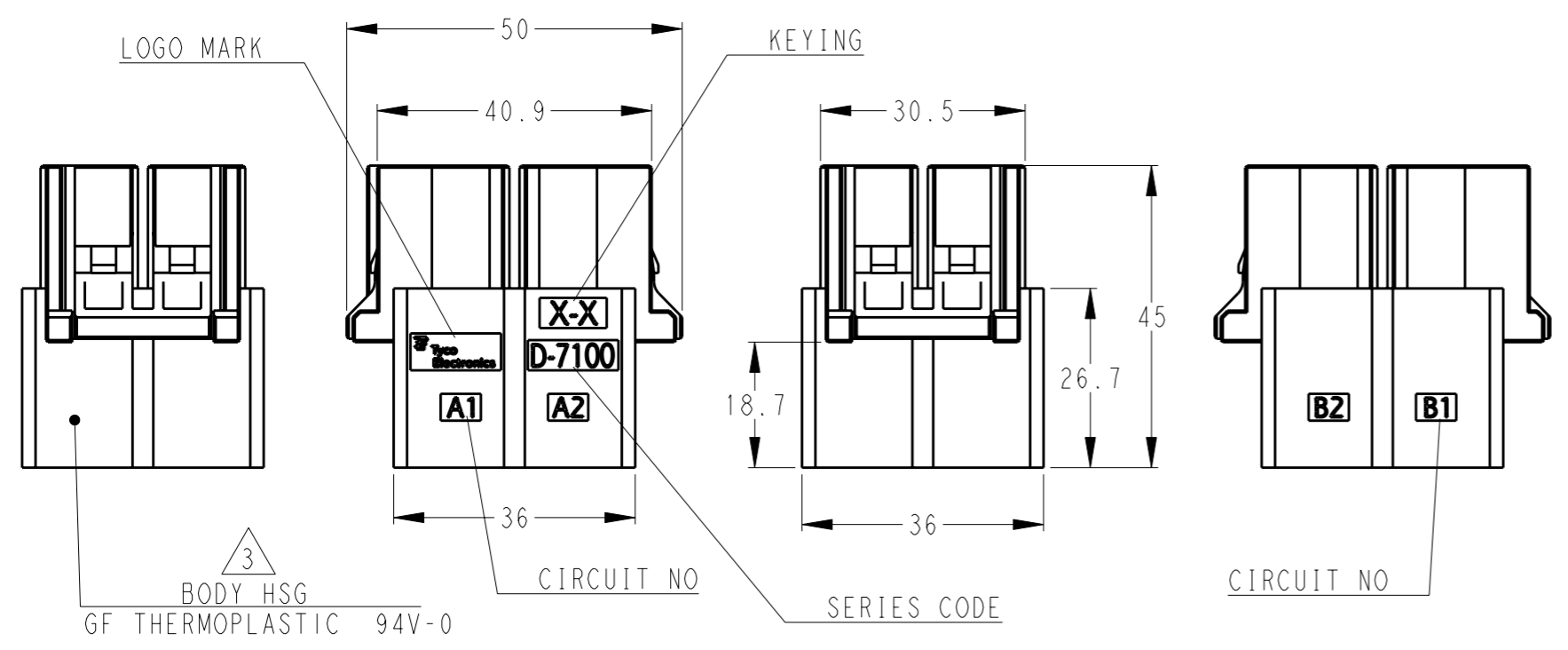
THIS DRAWING IS UNPUBLISHED. RELEASED FOR PUBLICATION 20
 © COPYRIGHT 20 BY TYCO ELECTRONICS CORPORATION. ALL RIGHTS RESERVED.

LOC	DIST	REVISIONS			
P	LTR	DESCRIPTION	DATE	DWN	APVD
J	-	B	REVISED PER ECR-10-025568	14DEC2010	M.M N.Y

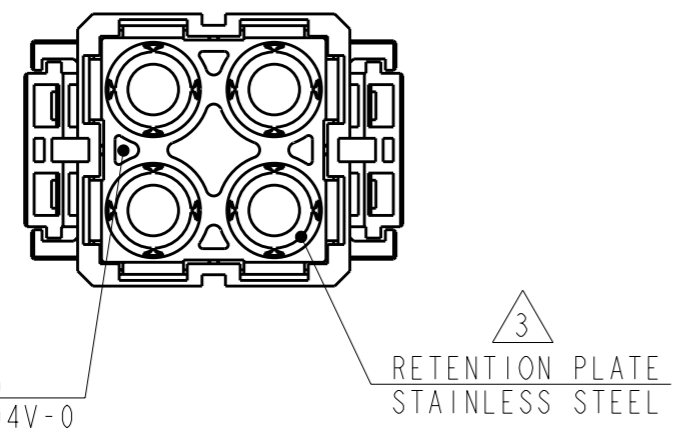
AS SHOWN : 2134055-1



APPLICATED SOCKET CONTACTS
1871132-*



1. THE SHAPE, SIZE AND POSITION OF THE CHARACTER SHOW THE OUTLINE. THEY DON'T SHOW DETAILS.
 2. CONTACT OUR SALES ABOUT ANOTHER KEYING PRODUCT.
- 3 MATERIAL.



THIS DRAWING IS A CONTROLLED DOCUMENT FOR TYCO ELECTRONICS CORPORATION IT IS SUBJECT TO CHANGE AND THE CONTROLLING ENGINEERING ORGANIZATION SHOULD BE CONTACTED FOR THE LATEST REVISION.		DWN	M. MAEBASHI	31 JUL 2010	Tyco Electronics Corporation Kawasaki, Japan									
DIMENSIONS: mm		CHK	N. YAMASAKI	31 JUL 2010										
TOLERANCES UNLESS OTHERWISE SPECIFIED: ±1.0, ±5°		APVD	N. YAMASAKI	31 JUL 2010										
0 PLC ± 1 PLC ± 2 PLC ± 3 PLC ± 4 PLC ± ANGLES ±		PRODUCT SPEC	108-78470											
MATERIAL 3		FINISH	NONE		NAME	DYNAMIC D7100 16.0mm PITCH SOCKET HOUSING ASSEMBLY 4 POS								
3		CUSTOMER DRAWING		WEIGHT	-		SIZE	A3	CAGE CODE	00779	DRAWING NO	C-2134055	RESTRICTED TO	-
				SCALE	1:1		SHEET	1	OF	1	REV	B		