

GV-32830-000

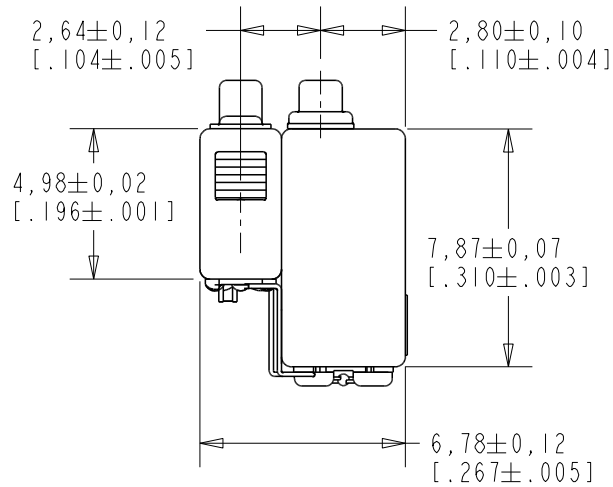
SHT 1.1

NOTES:

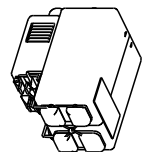
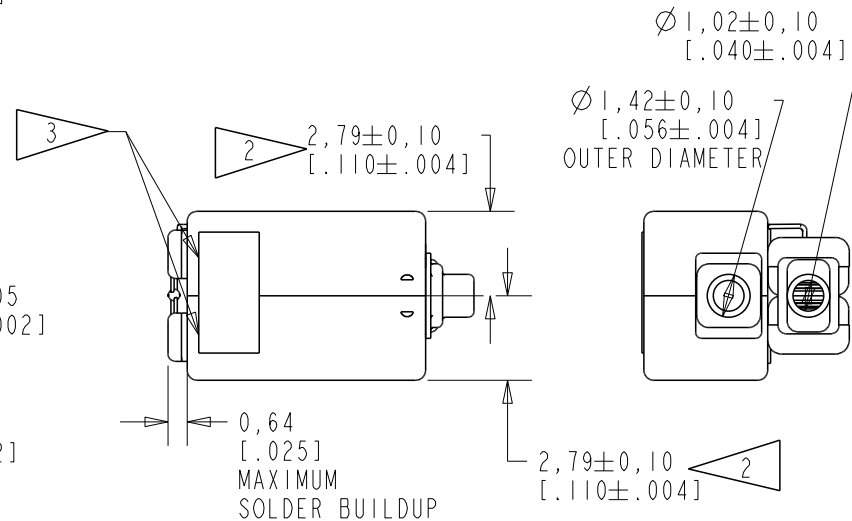
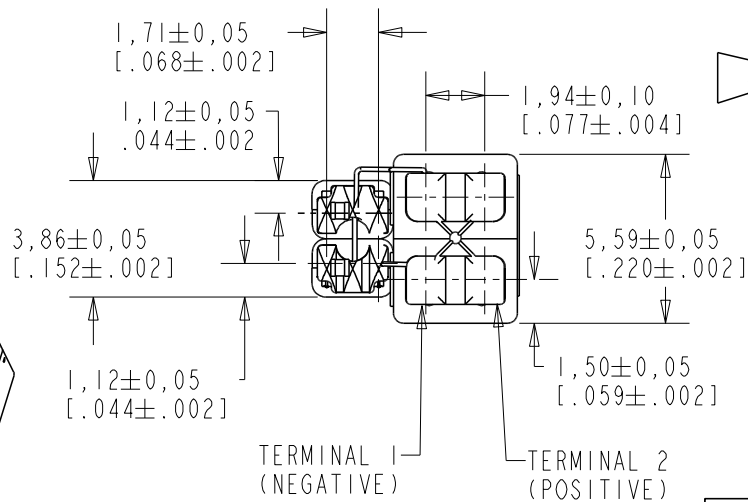
1. A POSITIVE GOING VOLTAGE AT TERMINAL 2, RELATIVE TO TERMINAL 1, CAUSES A DECREASE IN PRESSURE AT THE SOUND OUTLET.

2 LOCATED FROM TWO SURFACES FOR CUSTOMER CONVENIENCE. ONLY APPLICABLE FROM ONE SURFACE, NOT TO BE USED TOGETHER.

3 VENT HOLES ON THIS SIDE TO BE COVERED WITH TAPE M36042.



**RED CONTROLLED**



SCALE 2:1

NOMINAL WEIGHT  
.71 GRAMS

DIMENSIONS IN MILLIMETERS [INCHES]

| Revision | C.O. #    | Implementation Date | RELEASE LEVEL | REVISION |
|----------|-----------|---------------------|---------------|----------|
|          |           |                     | Active        | A        |
| A        | PI0000621 | 8-16-16             |               |          |

SCALE: 4:1

DO NOT SCALE DRAWING

TITLE: RECEIVER  
OUTLINE DRAWING

GV-32830-000  
SHT 1.1

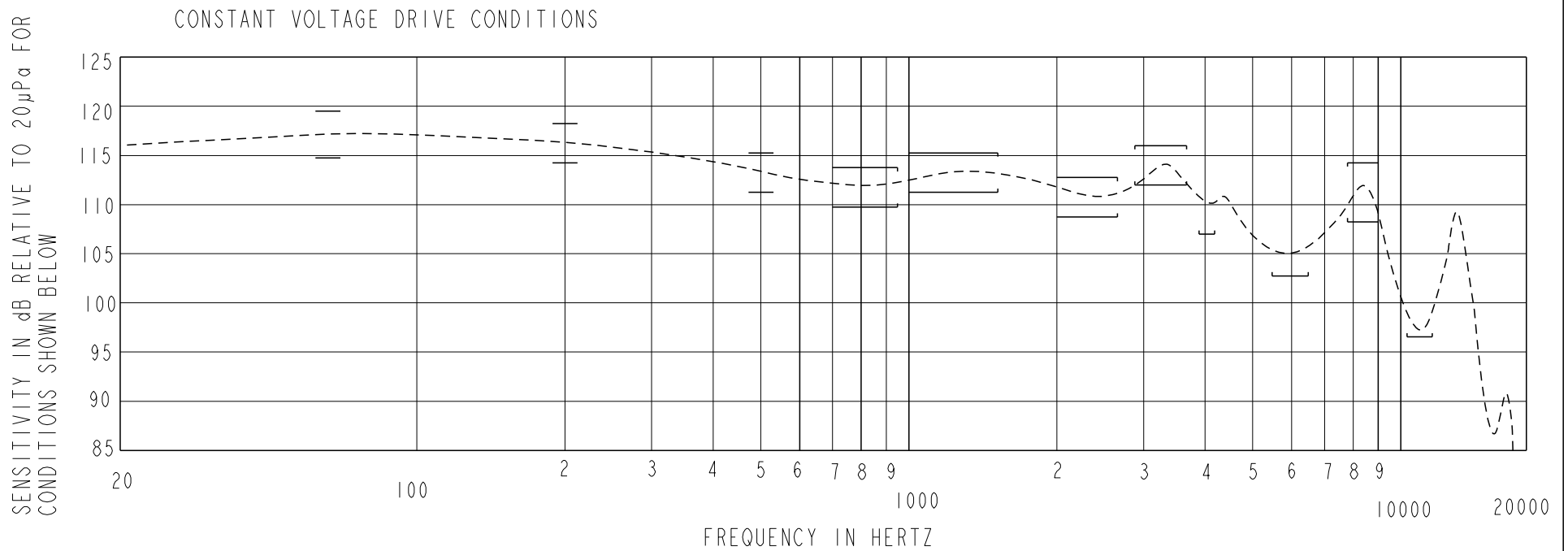
| DR. BY  | DATE    |
|---------|---------|
| NANC    | 8-16-16 |
| CK. BY  | DATE    |
| GJP     | 8-16-16 |
| APP. BY | DATE    |
| GJP     | 8-16-16 |

**KNOWLES CORPORATION**

UNDAMPED MAGNETIC BALANCED ARMATURE RECEIVERS INTENDED FOR USE AS THE HIGH AND LOW FREQUENCY DRIVERS IN A HI FI SYSTEM. THE GV RECEIVER COMBINES A TWFK AND HODVTEC RECEIVERS COUPLED THROUGH A CIRCUIT TO PROVIDE THE RESPONSE SHAPE.

GV-32830-000

SHEET 2.1



ACOUSTICAL

SENSITIVITY  
DEVICE WILL PRODUCE THE SPL LISTED BELOW UNDER TEST CONDITION IN TABLE 3.  
NOMINAL SENSITIVITY AT 1kHz IS dB RELATIVE TO 20 µPa. ALL OTHER VALUES  
IN dB RELATIVE TO THE SENSITIVITY AT 1kHz.

| FREQUENCY (Hz) | MINIMUM | NOMINAL | MAXIMUM |
|----------------|---------|---------|---------|
| 70             | +1.5    | +3.875  | +6.25   |
| 200            | +1.0    | +3.0    | +5.0    |
| 500            | -2.0    | +113.25 | +2.0    |
| 700-950        | -3.5    | -1.5    | +0.5    |
| 1000-1600      | -2.0    | +0.0    | +2.0    |
| 2000-2700      | -4.5    | -2.5    | -0.5    |
| 2900-3700      | -1.25   | +0.75   | +2.75   |
| 3900-4200      | -6.25   | --      | --      |
| 5500-6500      | -10.5   | --      | --      |
| 7800-9000      | -5.0    | -2.0    | +1.0    |
| 10500-12500    | -16.7   | --      | --      |

TABLE 1

TOTAL HARMONIC DISTORTION  
DEVICE WILL NOT EXCEED TOTAL HARMONIC DISTORTION LEVELS LISTED BELOW.

| FREQUENCY (Hz) | AC DRIVE (V rms) | DC BIAS (mA) | LIMIT (%) |
|----------------|------------------|--------------|-----------|
| 830            | 0.101            | 0            | 3         |
| 1130           | 0.101            | 0            | 3         |
| 500            | 0.202            | 0            | 3         |

TABLE 2

TEST CONDITIONS

|                        |                          |
|------------------------|--------------------------|
| NOMINAL SOURCE VOLTAGE | 0.101 V rms, 0 V DC BIAS |
| SOURCE IMPEDANCE       | <1 Ohm                   |
| TUBING                 | T-11930                  |
| COUPLER CAVITY         | IEC 60318-4(711)         |

TABLE 3

ELECTRICAL

|                    |                   |
|--------------------|-------------------|
| DC RESISTANCE      | 35.0 OHMS ± 10%   |
| IMPEDANCE @ 500 Hz | 50.0 OHMS ± 15%   |
| IMPEDANCE @ 1 k Hz | 28.125 OHMS ± 15% |

TABLE 4

ISOLATION: CASE WILL BE ELECTRICALLY ISOLATED FROM THE COIL CIRCUIT.

MECHANICAL

PORT LOCATION: DUAL PORT

SOLDER TYPE: SAC305 (LEAD FREE)

TEMPERATURE

OPERATING: SENSITIVITY AT 1K Hz WILL NOT VARY MORE THAN +1/-3 dB FROM 0°C TO 63°C  
STORAGE: -40°C TO 63°C

**RED CONTROLLED**

**KNOWLES CORPORATION**

| Revision | C.O. #    | Implementation Date | RELEASE LEVEL | REVISION |
|----------|-----------|---------------------|---------------|----------|
|          |           |                     | Active        | A        |
| A        | PI0000621 | 8-16-16             |               |          |

WHEN TEST LIMITS ARE USED TO ESTABLISH INCOMING INSPECTION ACCEPTANCE/REJECTION CRITERIA, CORRELATION OF TEST EQUIPMENT WITH KNOWLES IS ALSO REQUIRED FOR ELIMINATION OF EQUIPMENT AND TEST METHOD VARIATION

|         |         |
|---------|---------|
| DR. BY  | DATE    |
| NANC    | 8-16-16 |
| CK. BY  | DATE    |
| GJP     | 8-16-16 |
| APP. BY | DATE    |
| GJP     | 8-16-16 |

TITLE: RECEIVER  
PERFORMANCE SPECIFICATION

GV-32830-000  
SHT 2.1