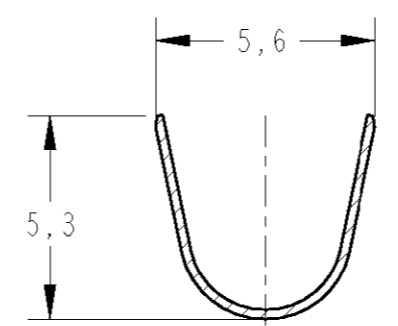
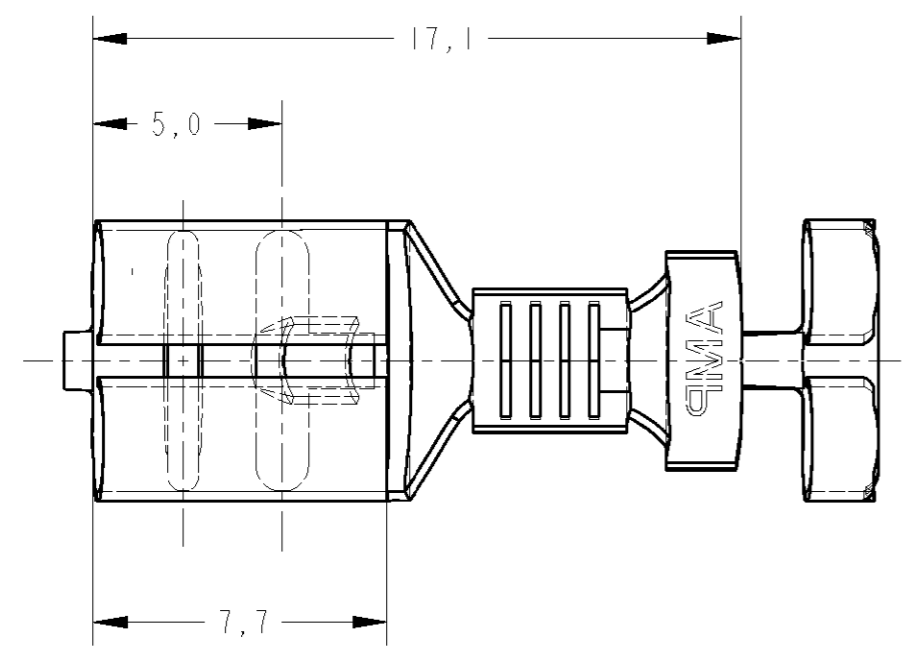
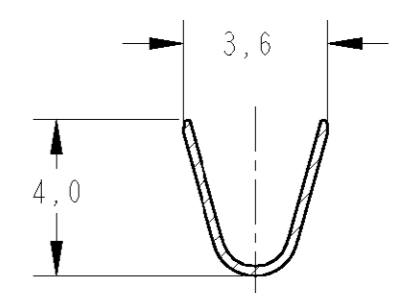


THIS DRAWING IS UNPUBLISHED. RELEASED FOR PUBLICATION
 © COPYRIGHT 19 BY AMP INCORPORATED. ALL RIGHTS RESERVED.

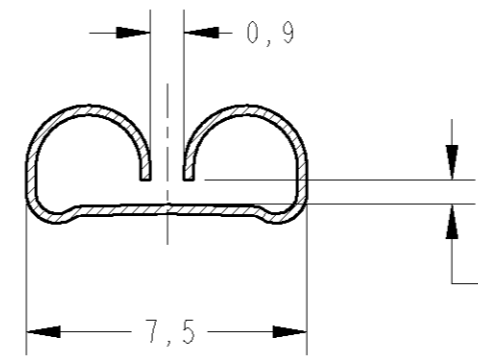
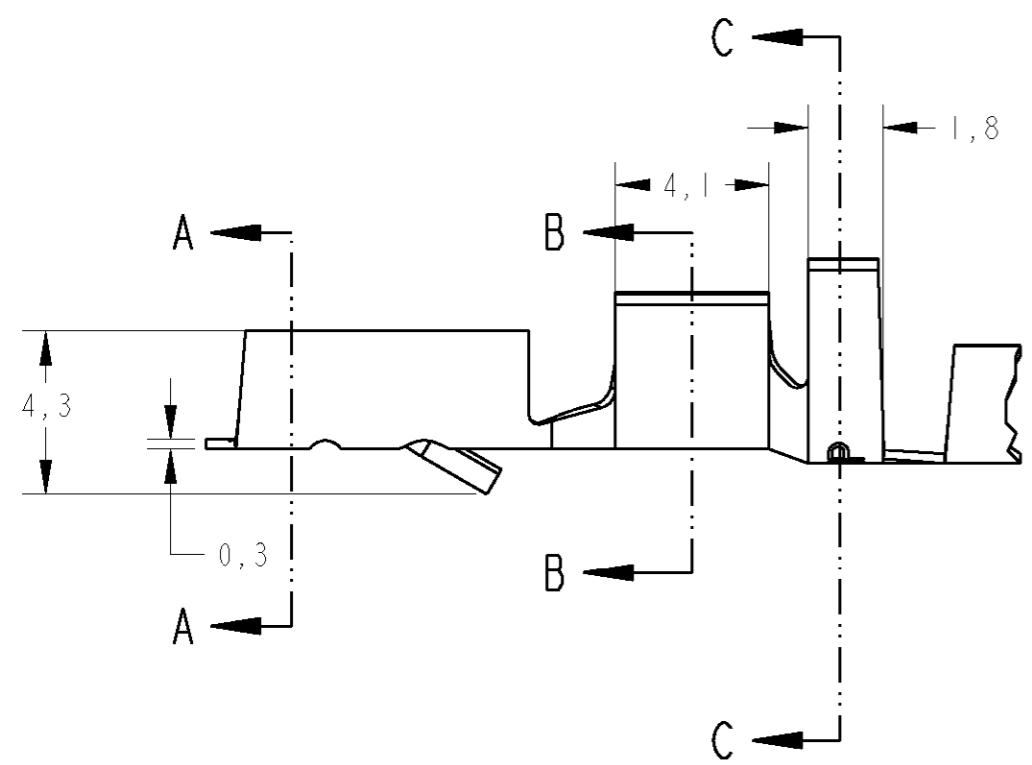
LOC	DIST	REVISIONS			
P	LTR	DESCRIPTION	DATE	DWN	APVD
AP	-				
	G	REDRAW WITH CHANGE EC 0147/99	26OCT00	MLO	PLF
	G1	REV PER ECO-09-026444	27NOV09	KK	AEG
	-	-	-	-	-
	-	-	-	-	-



SECTION C-C



SECTION B-B



SECTION A-A

PARA LINGUETAS DE
 0,8 DE ESPESSURA
 FOR 0,8 TAB

1 OBSOLETE

	PRATEADO/SILVER PLATED	BRONZE FOSFOROSO/PHOSP. BRONZE	626095-6
	PRATEADO/SILVER PLATED	LATÃO/BRASS	626095-5
	ESTANHADO/TIN PLATED	BRONZE FOSFOROSO/PHOSP. BRONZE	626095-4
	— x —	BRONZE FOSFOROSO/PHOSP. BRONZE	626095-3
	ESTANHADO/TIN PLATED	LATÃO/BRASS	626095-2
	— x —	LATÃO/BRASS	626095-1
	FINISH	MATERIAL	PART NUMBER

1 OBSOLETE PARTS: OBSOLETE CIS STREAMLINING PER D.RENAUD/D.SINISI

<small>THIS DRAWING IS A CONTROLLED DOCUMENT FOR AMP INCORPORATED. IT IS SUBJECT TO CHANGE AND THE CONTROLLING ENGINEERING ORGANIZATION SHOULD BE CONTACTED FOR THE LATEST REVISION.</small>		DWN M.L. OGAWA 20MAY99 CHK PL. FARIA APVD F. ALEXANDRONI PRODUCT SPEC APPLICATION SPEC WEIGHT -	AMP AMP do Brasil LTDA. São Paulo, Brasil NAME .250 SERIES FAST-IN-ON RECEPTACLE SIZE A3 CAGE CODE 00779 DRAWING NO C=626095 RESTRICTED TO -
DIMENSIONS: mm 	TOLERANCES UNLESS OTHERWISE SPECIFIED: 0 PLC ± 1 PLC ± 2 PLC ±0,3 3 PLC ± 4 PLC ± ANGLES ±1°	INS. DIA. RANGE 3,0-4,0 mm WIRE RANGE 1,0-2,5 mm ²	CUSTOMER DRAWING SCALE - SHEET OF REV G1