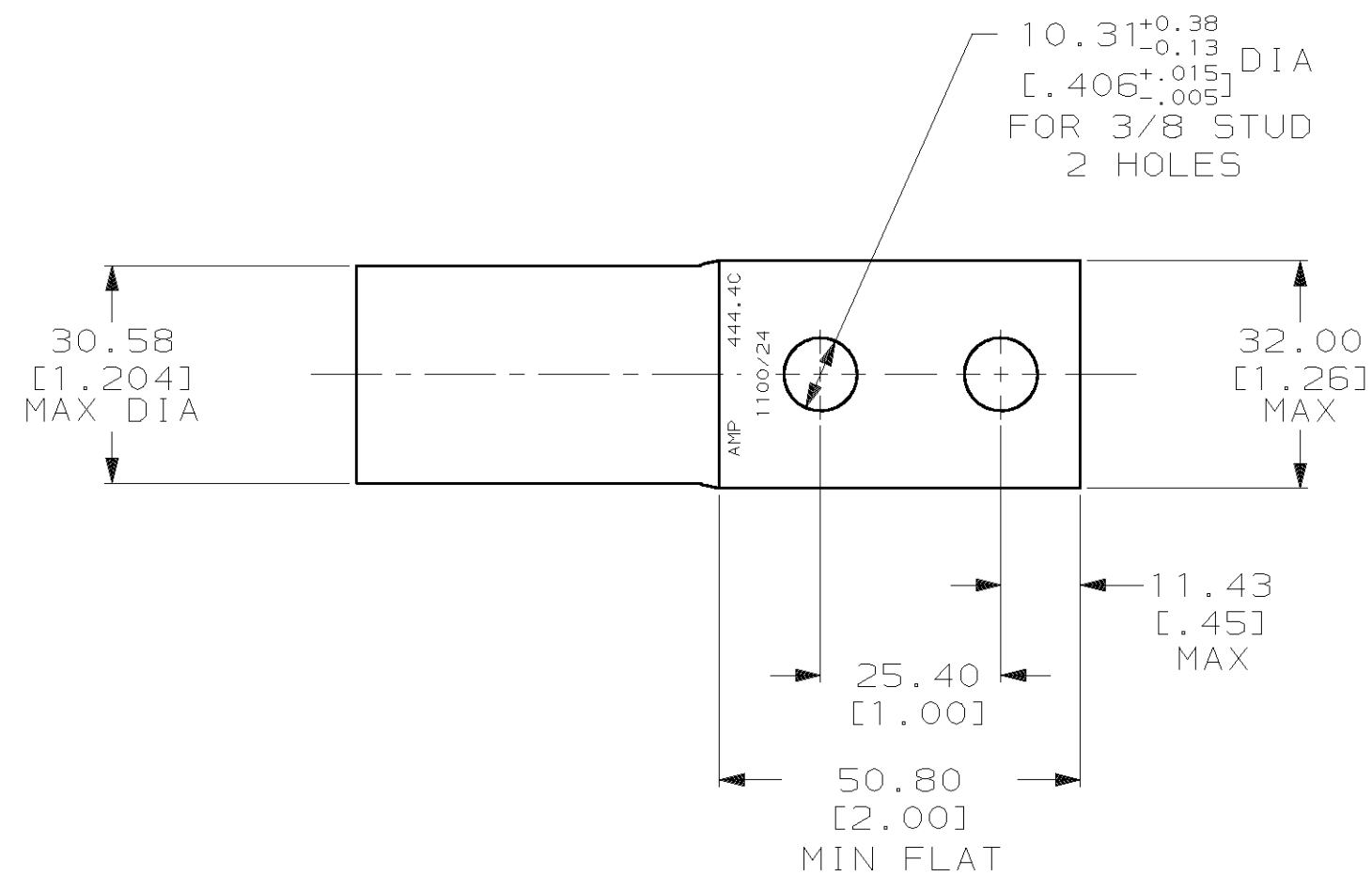
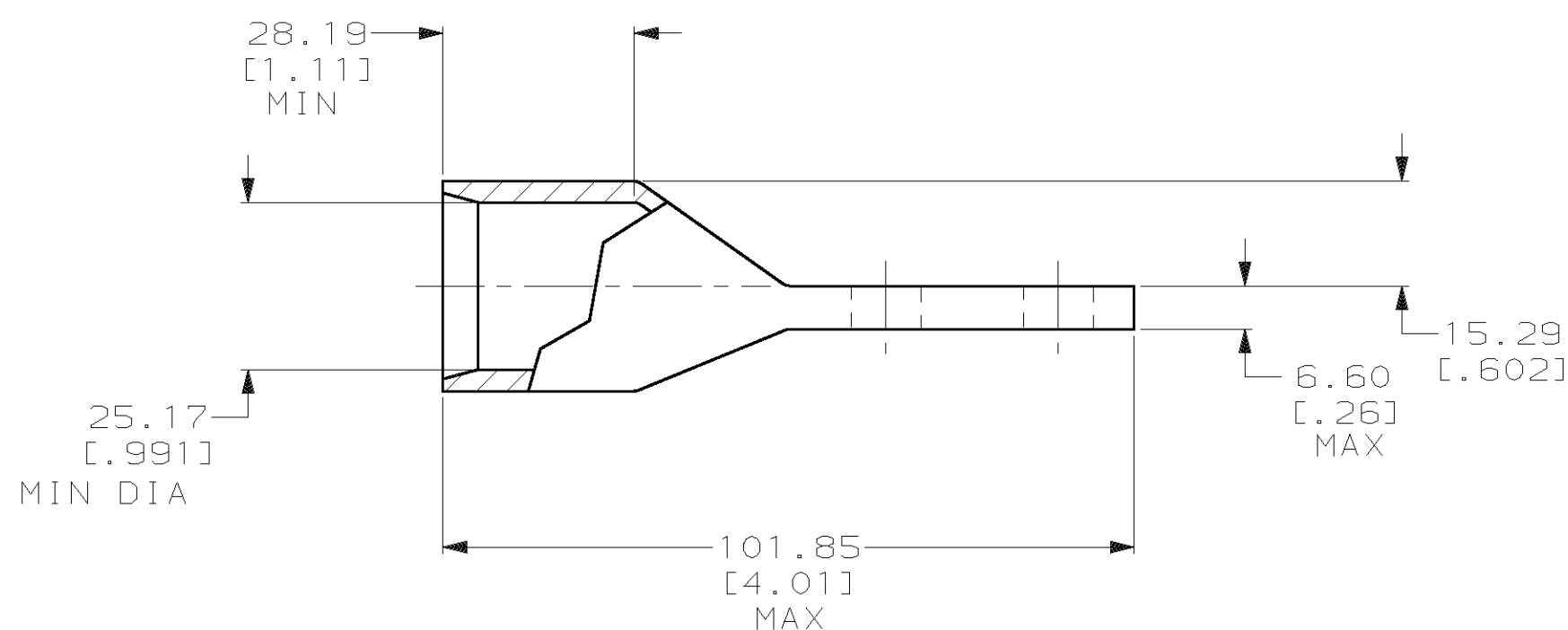


THIS DRAWING IS UNPUBLISHED. RELEASED FOR PUBLICATION ,19 .  
 © COPYRIGHT 19 BY AMP INCORPORATED. ALL INTERNATIONAL RIGHTS RESERVED.

LOC		DIST		P		F		ZONE		LTR		REVISIONS		DATE	APPD
G		86								C		REV PER 0G3A-0561-01		08OCT02	JR



- 1 TIN PL 0.00381 [0.000150] MIN THK PER MIL-T-10727
- 2 CRIMP DIES: P/N 46755-2 (500 MCM)  
HYDRAULIC HEAD: P/N 69082



**METRIC**

DO NOT SCALE PRINT. UNLESS SPECIFIED DIMENSIONS IN mm [INCHES] TOLERANCES ON : 2 PLC DEC ± 0.51 [0.020] 3 PLC DEC ± - ANGLES ± -		DR 03/09/90 DK SCHRUM		AMP INCORPORATED Harrisburg, Pa. 17105	
MATERIAL ANNEALED COPPER ASTM B-75		CHK 24JAN95 MS FEHER			
FINISH		APPD 24JAN95 WJ VOCKROTH		NAME TERMINAL, CENTERLINE TONGUE, AMPPOWER™ WIRE SIZE: 444.4 MCM	
APPLICATION SPEC		APPD 24JAN95 TL SHUTTER		DRAWING NO 326151	
WEIGHT -		PRODUCT SPEC 108-30200		SCALE 1:1	
		CAGE CODE 00779		SHEET 1 OF 1	

326151-1  
PART NO