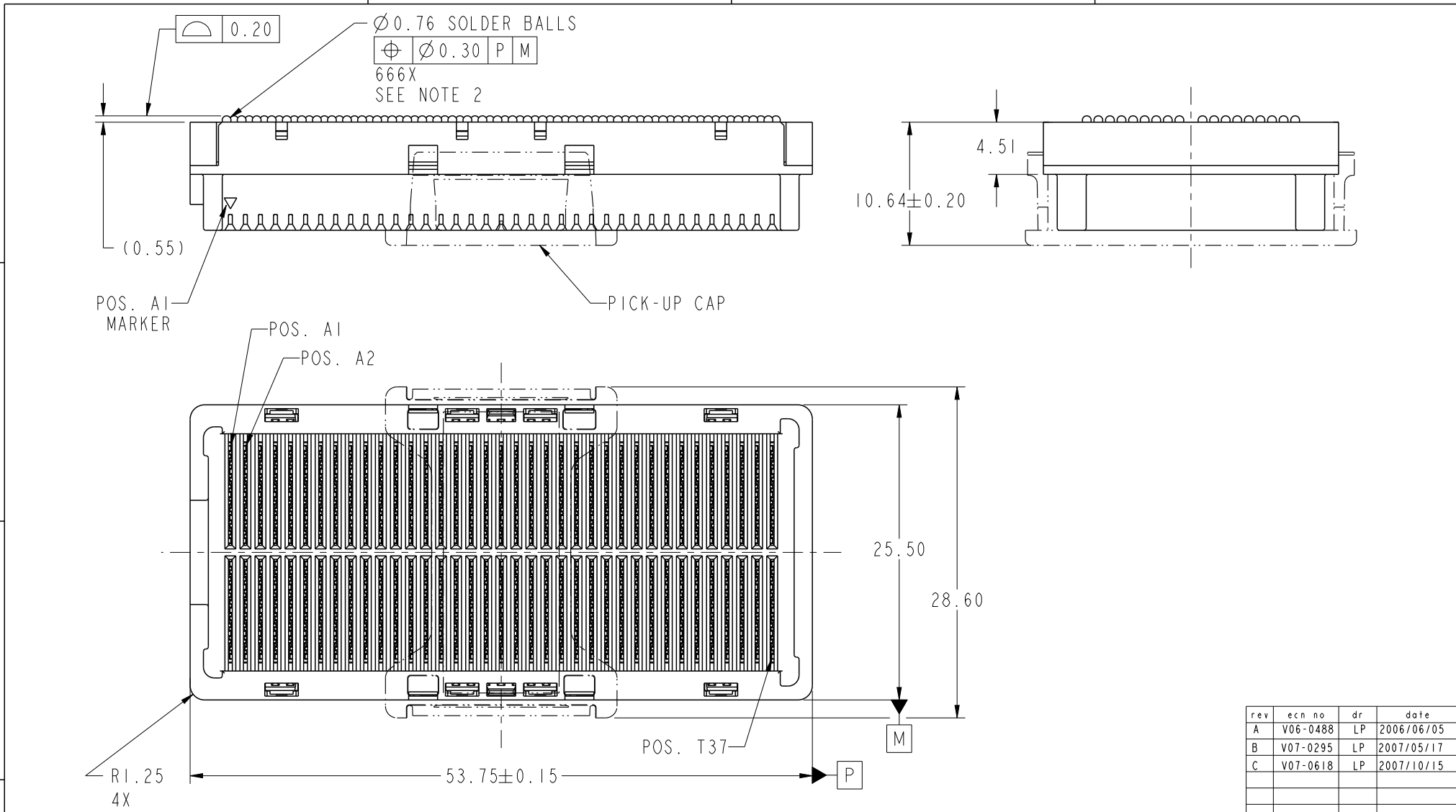




Copyright FCI.



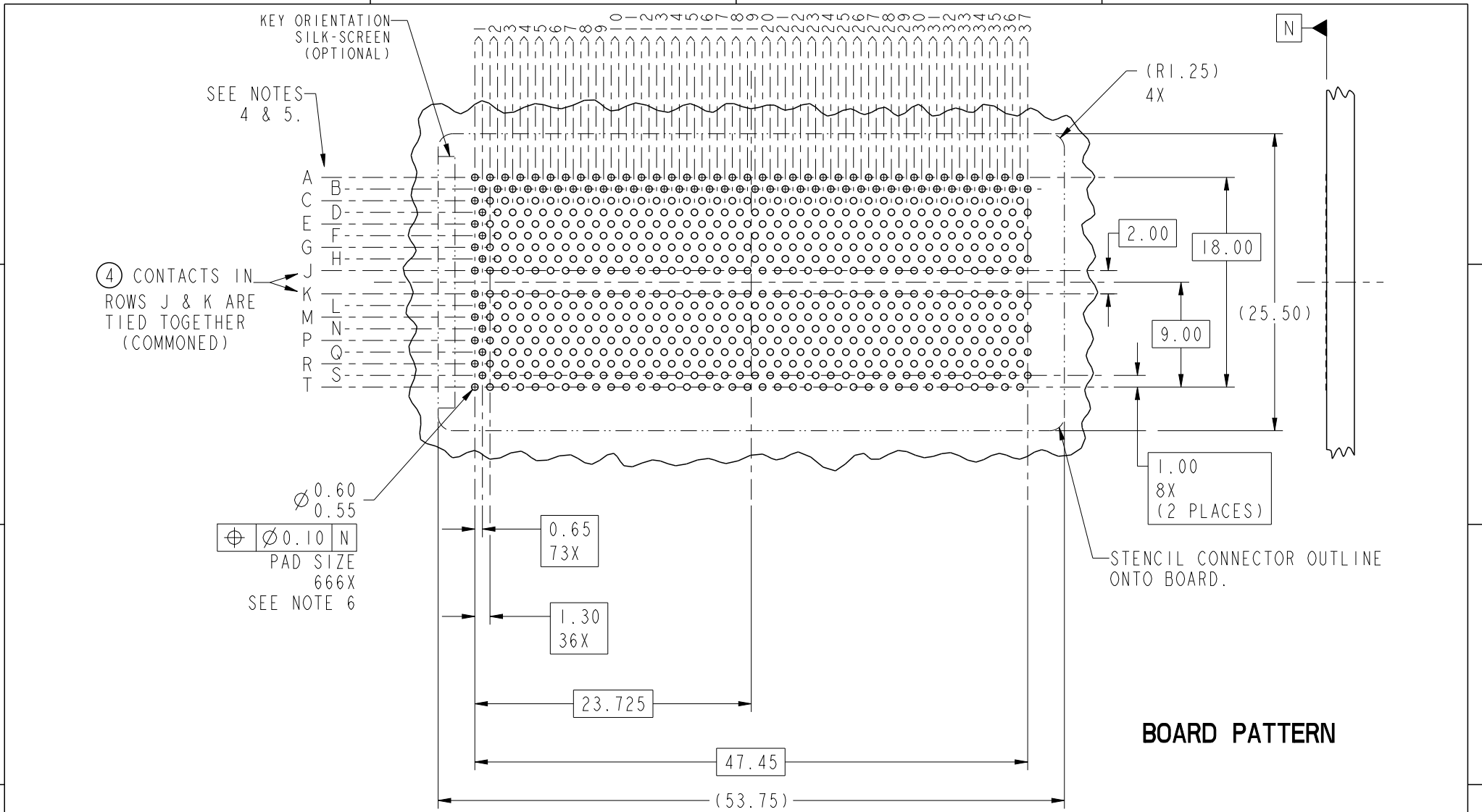
rev	ecn no	dr	date
A	V06-0488	LP	2006/06/05
B	V07-0295	LP	2007/05/17
C	V07-0618	LP	2007/10/15

spec ref	-	dr	Bill Lin	2010/02/02	projection	mm	size	A4	scale	21:10														
tolerance std	ASME Y14.5	eng	Nickor Zuo	2011/05/27			ecn no	ELX-DG-003943-1																
	TOLERANCES UNLESS OTHERWISE SPECIFIED	chr	Alex Cao	2011/06/24				product family	GIG-Array		rel level	Released												
surface	<table border="1"> <tr> <td>linear</td> <td>0.X</td> <td>±0.30</td> </tr> <tr> <td></td> <td>0.XX</td> <td>±0.10</td> </tr> <tr> <td></td> <td>0.XXX</td> <td>±0.05</td> </tr> <tr> <td>angular</td> <td>0°</td> <td>±2°</td> </tr> </table>	linear	0.X	±0.30		0.XX	±0.10		0.XXX	±0.05	angular	0°	±2°	appr	Pei-Ming Zheng	2011/06/27		<table border="1"> <tr> <td>title</td> <td>GIG-Array - 5mm RECEPTACLE</td> </tr> <tr> <td>dwg no</td> <td>10069345</td> </tr> <tr> <td>rev</td> <td>D</td> </tr> </table>	title	GIG-Array - 5mm RECEPTACLE	dwg no	10069345	rev	D
linear	0.X	±0.30																						
	0.XX	±0.10																						
	0.XXX	±0.05																						
angular	0°	±2°																						
title	GIG-Array - 5mm RECEPTACLE																							
dwg no	10069345																							
rev	D																							
		cat. no.	www.fci.com		Product - Customer Drw			sheet 1 of 5																

ProjE File - REV C - 2009-06-09



Copyright FCI.



BOARD PATTERN

spec ref	-	dr	Bill Lin	2010/02/02	projection	mm	size	A4	scale	21:10										
tolerance std	ASME Y14.5	eng	Nickor Zuo	2011/05/27			ecn no		ELX-DG-003943-1											
TOLERANCES UNLESS OTHERWISE SPECIFIED		chr	Alex Cao	2011/06/24			rel level		Released											
surface	<table border="1"> <tr> <td>linear</td> <td>0.X</td> <td>±0.30</td> </tr> <tr> <td></td> <td>0.XX</td> <td>±0.10</td> </tr> <tr> <td></td> <td>0.XXX</td> <td>±0.05</td> </tr> <tr> <td>angular</td> <td>0°</td> <td>±2°</td> </tr> </table>	linear	0.X	±0.30				0.XX	±0.10		0.XXX	±0.05	angular	0°	±2°	appr	Pei-Ming Zheng	2011/06/27	product family	
linear	0.X	±0.30																		
	0.XX	±0.10																		
	0.XXX	±0.05																		
angular	0°	±2°																		
		GIG-Array - 5mm RECEPTACLE ASSY. 296 SIG. POS.			product family		GIG-Array		rel level											
www.fci.com		cat. no.			Product - Customer Drw		sheet 2 of 5		rev D											

PrdE File - REV C - 2009-06-09

1

2

3

4

A

B

C

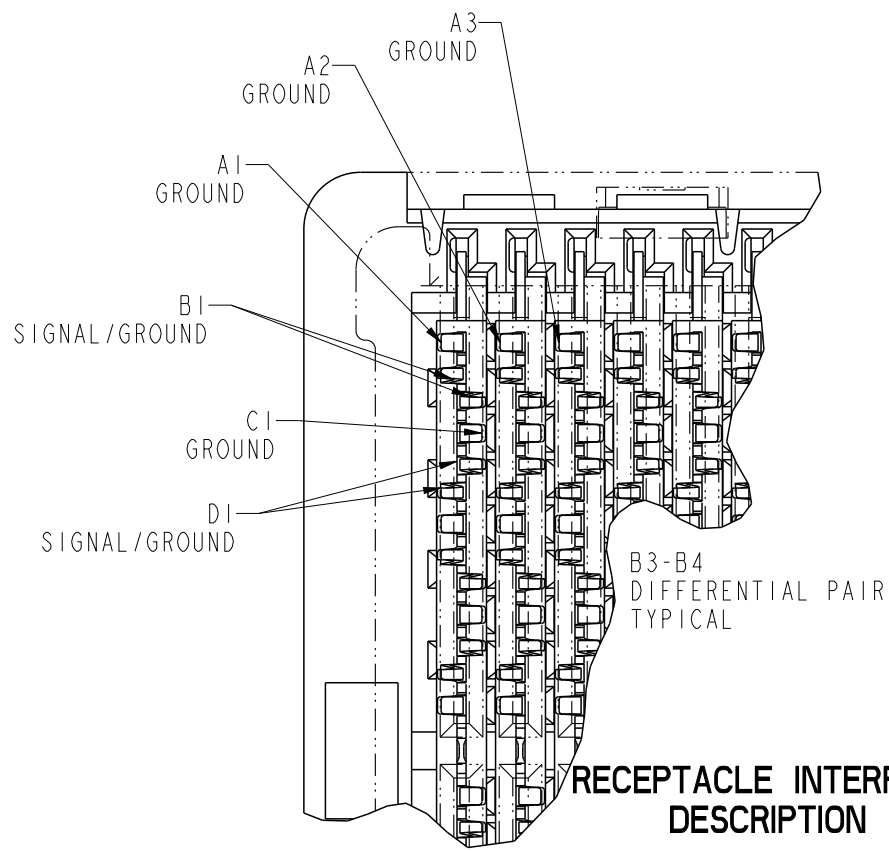
D

A

B

C

D



RECEPTACLE INTERFACE DESCRIPTION

SCALE 6:1



Copyright FCI.

spec ref		-		dr	Bill Lin	2010/02/02	projection 	mm 	size	A4	scale	21:10	
tolerance std	ASME Y14.5	TOLERANCES UNLESS OTHERWISE SPECIFIED		eng	Nickor Zuo	2011/05/27			ecn no	ELX-DG-003943-1			
				chr	Alex Cao	2011/06/24				rel level	Released		
-		-		appr	Pei-Ming Zheng	2011/06/27	product family		GIG-Array				
surface	✓	linear	0.X	±0.30		title	GIG-Array - 5mm RECEPTACLE		dwg no	10069345		rev	D
			0.XX	±0.10									
-		angular	0°	±2°	www.fci.com	cat. no.	Product - Customer Drw		sheet 3 of 5				
-			0°	±2°			Product - Customer Drw		sheet 3 of 5				

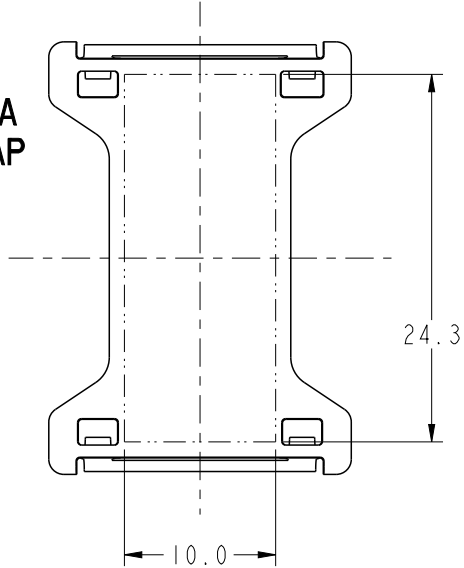
PreE File - REV C - 2009-06-09

2

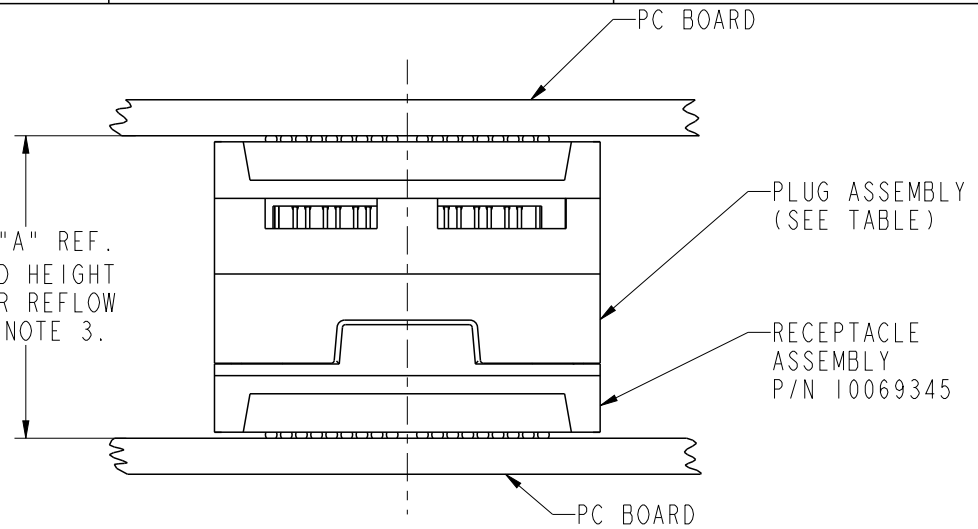
3

4

**FLAT AREA
PICK-UP CAP**
SCALE 2:1



DIM "A" REF.
MATED HEIGHT
AFTER REFLOW
SEE NOTE 3.



END VIEW OF MATED CONNECTORS
SCALE 2:1

DIM. "A"	PLUG ASSEMBLY P/N
15	55720
17	10026804
18	10055143
20	55700
25	55727
30	10054784

spec ref		-		dr	Bill Lin	2010/02/02	projection 	mm 	size	A4	scale	1:10
tolerance std	ASME Y14.5	TOLERANCES UNLESS OTHERWISE SPECIFIED		eng	Nickor Zuo	2011/05/27			ecn no	ELX-DG-003943-1		
				chr	Alex Cao	2011/06/24			rel level	Released		
surface		linear	0.X	±0.30		title	GIG-Array - 5mm RECEPTACLE	dwg no	10069345	rev	D	
			0.XX	±0.10								
			0.XXX	±0.05								
		angular	0°	±2°	www.fci.com	cat. no.	Product - Customer Drw		sheet 4 of 5			

PRODUCT NUMBER	SOLDER BALL COMPOSITION	CONTACT PLATING PERFORMANCE LEVEL
10069345-001	STANDARD (EUTECTIC)	PERFORMANCE-BASED PLATING, QUALIFIED TO MEET THE REQUIREMENTS OF FCI PRODUCT SPECIFICATION GS-12-192, INCLUDING TELCORDIA CENTRAL OFFICE
10069345-001LF	LEADFREE	

NOTES:

- ① MATERIAL:
HOUSING: LCP
CONTACT: COPPER ALLOY
PLATING (CONTACT): Au OVER Ni.
UL RATING: 94 V-0
SOLDERBALL: (SEE TABLE) EUTECTIC SnPb OR LEAD FREE 95.5 Sn/4Ag/0.5Cu.
- ② SOLDER BALLS WILL NOT BE PERFECT SPHERICAL SHAPE DUE TO REFLOW ATTACHMENT.
- ③ MATED HEIGHT EFFECTED BY CUSTOMERS' PCB PAD SIZE, PLATING, SOLDER REFLOW PROFILE & SOLDER PASTE.
- ④ CONTACTS IN ROWS A,C,E,G,J,K,M,P,R AND T ARE SINGLE BEAM CONTACTS USED AS GROUND PINS.
(NOTE: CONTACTS IN ROWS J & K ARE TIED TOGETHER [COMMONED])
- ⑤ CONTACTS IN ROWS B,D,F,H,L,N,Q AND S ARE DUAL BEAM CONTACTS, TYPICALLY USED AS SIGNAL PINS.

NOTES CONTINUED

- ⑥ SPECIFIED POSITIONAL TOLERANCE DEFINES PAD TO PAD LOCATION WITHIN LAND PATTERN. POSITIONAL TOLERANCE OF LAND PATTERN TO FUDICIAL MARKS OR PCB DATUMS SHALL BE DEFINED BY CUSTOMER. FOR RECOMMENDED PRODUCT APPLICATION AND PCB DESIGN DETAILS, SEE DOC. NO. GS-20-016.
- ⑦ FOR PROPER APPLICATION FOLLOW FCI APPLICATION SPECIFICATION GS-20-033 LEADFREE SOLDER BALLS WILL NOT SOLDER PROPERLY IN A LEADED SOLDER PROCESS DUE TO A HIGHER REFLOW TEMPERATURE, LEADFREE PRODUCT IS THEREFORE NOT BACKWARDS COMPATIBLE WITH LEADED OR SOME SOLDERING APPLICATIONS. REFERENCE FCI APPLICATION SPECIFICATION.
- ⑧ THIS PRODUCT MEETS THE EUROPEAN UNION DIRECTIVES AND OTHER COUNTRY REGULATIONS AS DESCRIBED IN GS-22-008. PRODUCT MEETING WITH THIS DIRECTIVE IS IDENTIFIED IN THE LOT CODE NUMBER MARKED ON EACHPART BY HAVING AN "X" IN THE SEVENTH CHARACTER POSITION.



Copyright FCI.

spec ref	-	dr	Bill Lin	2010/02/02	projection 	mm 	size	A4	scale	21:10
tolerance std	TOLERANCES UNLESS OTHERWISE SPECIFIED	eng	Nickor Zuo	2011/05/27			ecn no	ELX-DG-003943-1		
ASME Y14.5		chr	Alex Cao	2011/06/24				rel level	Released	
surface	linear	appr	Pei-Ming Zheng	2011/06/27	product family	GIG-Array		rev	D	
-		angular	www.fci.com		cat. no.	Product - Customer Drw	sheet 5 of 5			
		FCI		title		GIG-Array - 5mm RECEPTACLE		dwg no		10069345
						ASSY. 296 SIG. POS.				