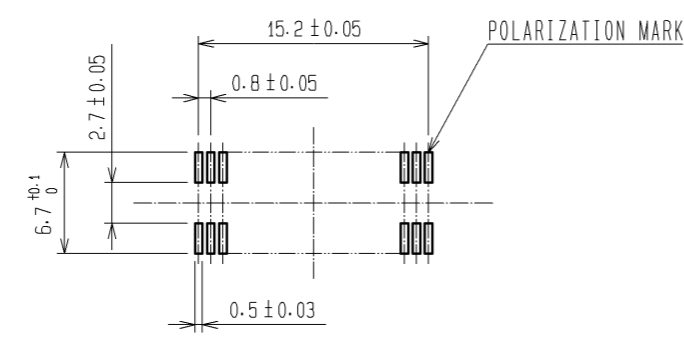
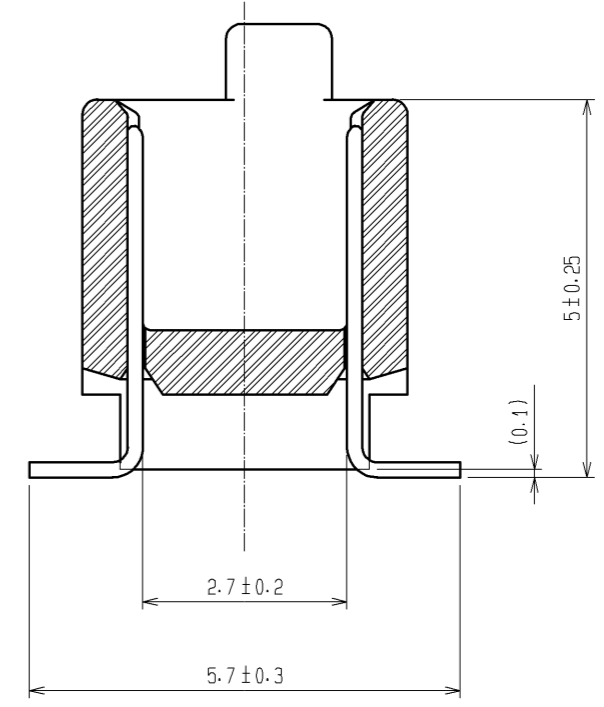


RECOMMENDED LAND PATTERN DIMENSION OF PCB (MOUNTING SIDE)
(RECOMMENDED METAL MASK THICKNESS t=0.15)



A-A (10:1)



HRS DRAWING FOR REFERENCE

- NOTES
- ① HRS MARK SHOULD BE OPTIONAL.
 2. LEAD CO-PLANARITY SHALL BE 0.1mm MAX.
 3. FOR MODIFICATION, ETC., PREVENTIVE HOLE FOR SINK MARK MAY BE ADDED ACCORDING TO CIRCUMSTANCES.
 4. THE DIMENSIONS IN PARENTHESES ARE FOR REFERENCE.

| | | | | | | | |
|--------------------------------------|----------|------------------------|------------|-------------------------------|--|---------|------|
| 1 | PPS | LIGHT BROWN UL94V-0 | 2 | PHOSPHOR BRONZE | CONTACT AREA: GOLD 0.1μm min. LEAD AREA: TIN-PLATING 1μm min. UNDER PLATING: NICKEL 1μm min. | | |
| NO. | MATERIAL | FINISH . REMARKS | NO. | MATERIAL | FINISH . REMARKS | | |
| UNITS mm | | SCALE 2 : 1 | COUNT △ | DESCRIPTION OF REVISIONS | DESIGNED | CHECKED | DATE |
| HRS HIROSE ELECTRIC CO., LTD. | | APPROVED : HS. OKAWA | 08.06.26 | DRAWING NO. EDC3-071320-25 | | | |
| | | CHECED : HT. YAMAGUCHI | 08.06.25 | PART NO. FX6A-40P-0.8SV1(C71) | | | |
| | | DESIGNED : SY. KAMIGA | 08.06.23 | CODE NO. CL576-0223-5-71 | | | |
| | | DRAWN : TP. MATSUMOTO | 08.06.18 | | | △ 1/1 | |