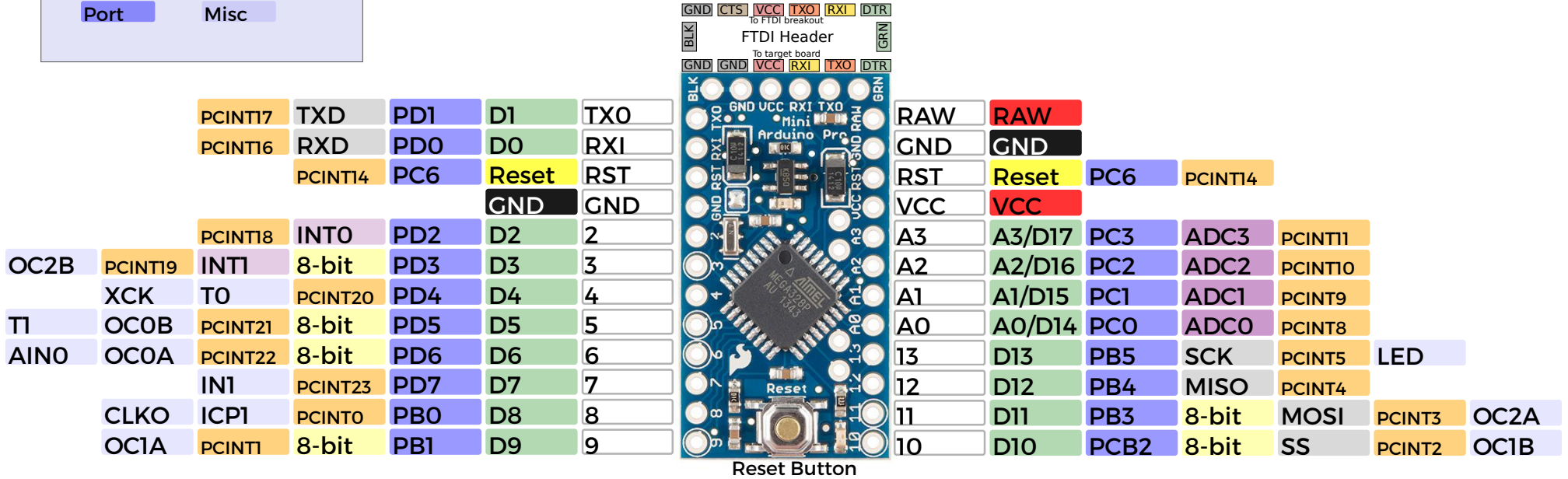


Arduino Pro Mini (DEV-11113)

Programmed as Arduino Pro Mini w/ ATmega328
16MHz/5V

Name	ADC
Power	PWM
GND	Serial
Control	Ext Interrupt
Arduino	PC Interrupt
Port	Misc



A5	A5/D19	PC5	ADC5	SCL	PCINT13
A4	A4/D18	PC4	ADC4	SDA	PCINT12
A7	A7	ADC7			
A6	A6	ADC6			

Power
Raw:5V-16V (6V-12V recommended)
VCC:5V
Maximum current: 150mA @5V

ATmega328P
Absolute maximum VCC: 6V
Maximum current for chip: 200mA
Maximum current per pin: 40mA
Recommended current per pin:20mA
8-bit Atmel AVR
Flash Program Memory: 32kB
EEPROM: 1kB
Internal SRAM 2kB
ADC:10-bit
PWM:8bit

LEDs
Power: Red
User (D13): Green

