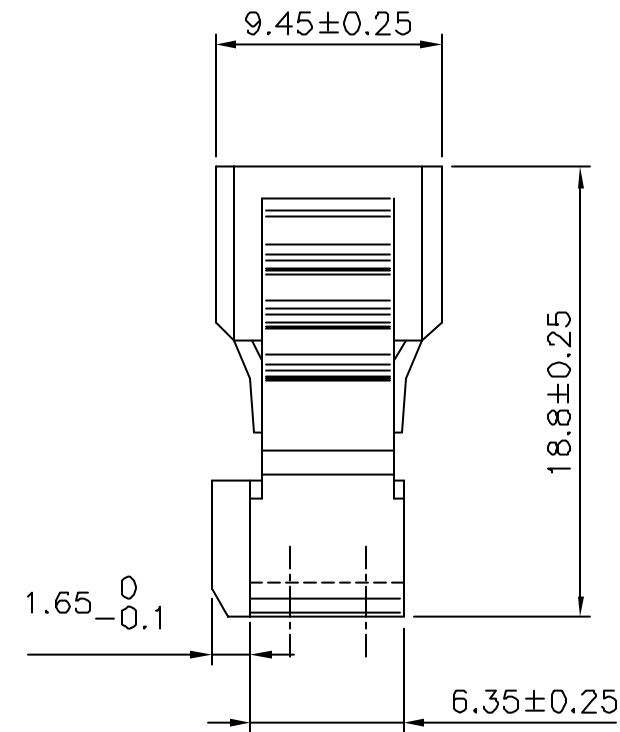
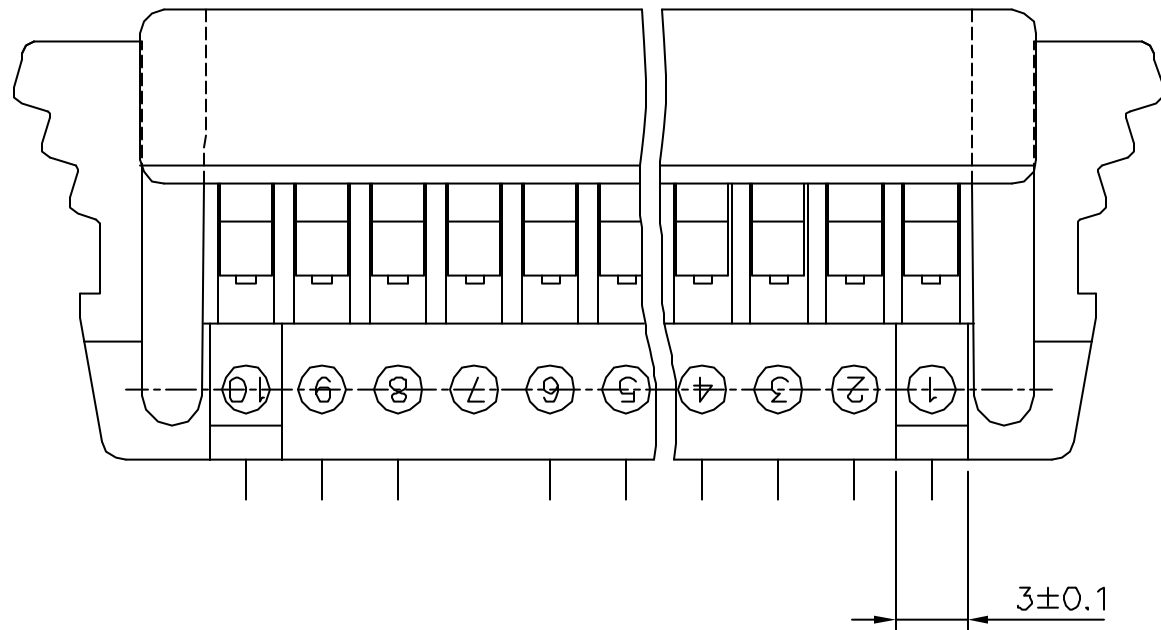


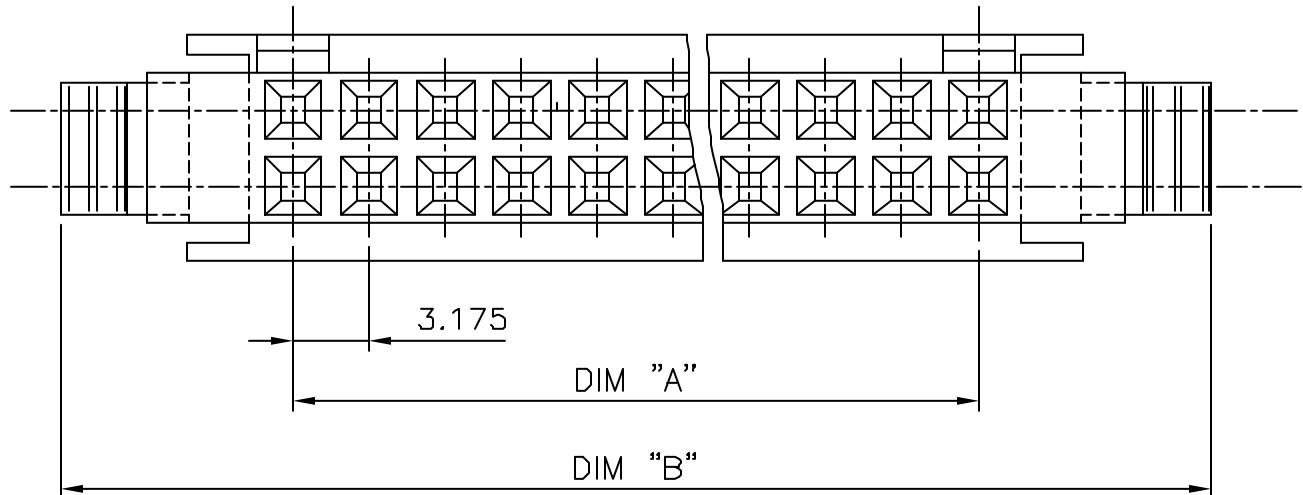
PRODUCT NUMBER	NB OF POS	DIM "A"	DIM "B"	POLARIZED POSITIONS	
65258-001(LF)	2 x 06	15.87	34.87	1	6
65258-002(LF)	2 x 07	19.05	38.05	1	7
65258-003(LF)	2 x 10	28.57	47.57	1	10
65258-004(LF)	2 x 12	34.92	53.92	1	12
65258-005(LF)	2 x 04	9.52	28.52	1	4

WHEN NEEDED, SUFFIX LETTER "LF" INDICATES THE PRODUCT IS RoHS COMPLIANT, SEE NOTE 4



NOTES:

- 1 - PLASTIC MATERIAL: POLYAMID 25% GLASSFILLED , COLOR BLACK FLAME RETARDANT PER UL 94-V0.
  - 2 - THIS HOUSING TO BE USED IN COMBINATION WITH BERG MAXI PV TERMINAL ACCORDING TO CRIMPING METHODS DESCRIBED ON DWG 65258 215 SHEET 1/1.
  - 3 - THIS CONNECTOR TO BE MATE WITH BERG HEADER 76427-YXX OR 77432-YXX
  - 4 - RoHS COMPATIBLE PRODUCT SPECIFICATIONS
    - a - LABELING:
      - MEETS PACKAGING SPECS AS PER GS-14-920
    - b - LEGAL STATEMENT: SEE GS-22-008
- THE PRODUCT IS NOT INTENDED TO BE EXPOSED TO A MANUFACTURING SOLDER PROCESS.



mat'l. code		surface		tolerance		projection		product family	
SEE NOTE 1		ISO 1302		ISO 406 ISO 101		mm		BERGCON	
ltr		ecn no		dr		date		title	
D		BNL5909		AOO		84.12.03		POLARIZED	
E		F60696		JMC		96.10.04		MAXI LATCH HOUSING	
F		F05-0235		DLE		05.08.24		scale 3:1	
G		F05-0286		DLE		05.11.07		dr COMPAGNON J 96.02.08	
H		F06-0218		DLE		06.07.11		engr JMC 96.02.08	
								chr	
								appd JMC 96.02.08	
sheet		revision						dwg no	
index		sheet						65258	
								sheet 1 of 1	
								size	
								A3	
								type	
								CUSTOMER Drawing	



Copyright FCI